

# START HERE! READ ME FIRST

Don't be a hero and muscle through this without first reading these fitting instructions! Improper installation of this gear may void certain aspects of your warranty.

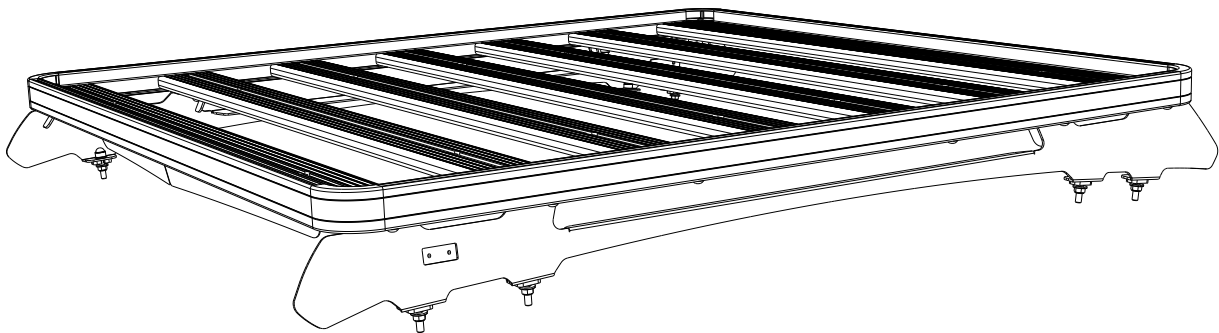
Before you begin, take a moment and open all your Front Runner rack kit boxes and gather the assembly instructions for the various components.

A complete kit will contain:

1. A Front Runner Mounting System specific to your vehicle
2. A Front Runner Rack Tray or Load Bar Slats

This document will guide you through the assembly of the mounting system and assist you in fitting the roof rack tray or load bars to your specific vehicle.

Please refer to the next page for a list of all the components, quantities and tools required.



## IMPORTANT WARNING!

IT IS CRITICAL THAT ALL FRONT RUNNER PRODUCTS BE PROPERLY AND SECURELY ASSEMBLED AND ATTACHED TO YOUR VEHICLE. IMPROPER ATTACHMENT COULD RESULT IN AN AUTOMOBILE ACCIDENT, AND COULD CAUSE SERIOUS BODILY INJURY OR DEATH. YOU ARE RESPONSIBLE FOR ASSEMBLING AND SECURING ALL FRONT RUNNER PRODUCTS TO YOUR VEHICLE, CHECKING THE ATTACHMENTS PRIOR TO USE, AND PERIODICALLY INSPECTING THE PRODUCTS FOR ADJUSTMENT, WEAR AND DAMAGE. THEREFORE, YOU MUST READ AND UNDERSTAND ALL OF THE INSTRUCTIONS AND PRECAUTIONS SUPPLIED WITH YOUR FRONT RUNNER PRODUCT PRIOR TO INSTALLATION OR USE. IF YOU DO NOT UNDERSTAND ALL OF THE INSTRUCTIONS AND CAUTIONS, OR IF YOU HAVE NO MECHANICAL EXPERIENCE AND ARE NOT THOROUGHLY FAMILIAR WITH THE INSTALLATION PROCEDURES, YOU SHOULD HAVE THE PRODUCT INSTALLED BY A PROFESSIONAL INSTALLER OR OTHER QUALIFIED PERSONNEL.

**NOTE:** Front Runner will not be responsible for any damage caused by the failure to install the product according to these instructions.

Please call us if you have any questions about the installation of this product.

# 1

## GET ORGANIZED

### IN THE BOX

1	2 X	Foot Rail 1 LH + 1 RH
2	16 X	M8 Nut Cap
3	8 X	M8 x 40 Hex Bolt
4	16 X	M8 x 16 x 1.6SS Flat Washer
5	8 X	Spacer
6	8 X	M8 x 19 x 2 Flat Washer
7	16 X	M8 Nyloc Nut
8	8 X	M8 x 20 Hex Bolt

### TOOLS NEEDED

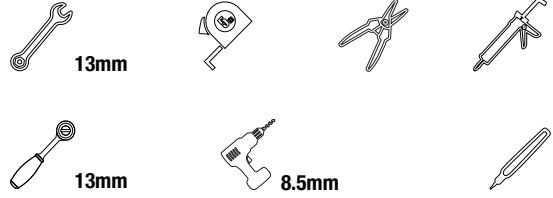
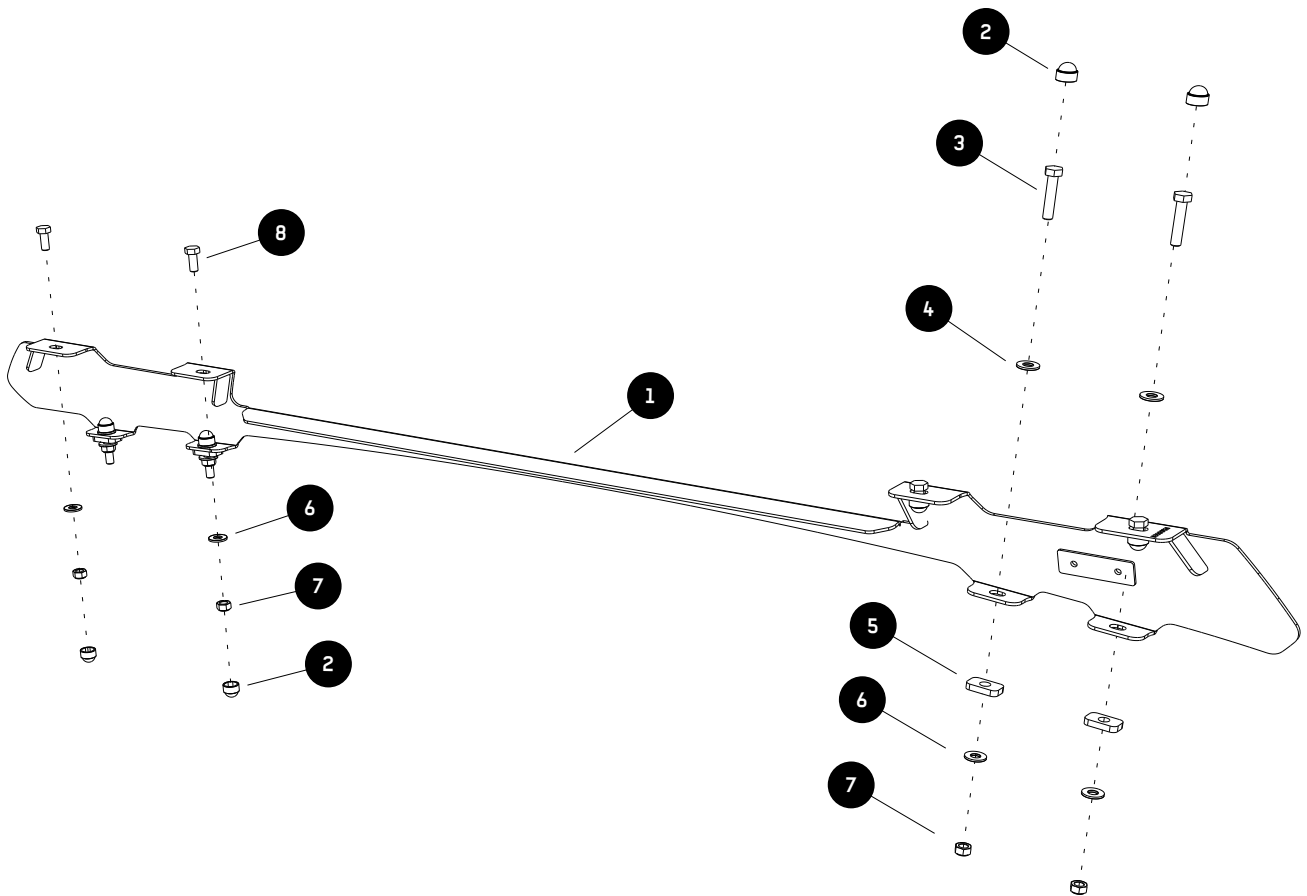


FIGURE 1.1

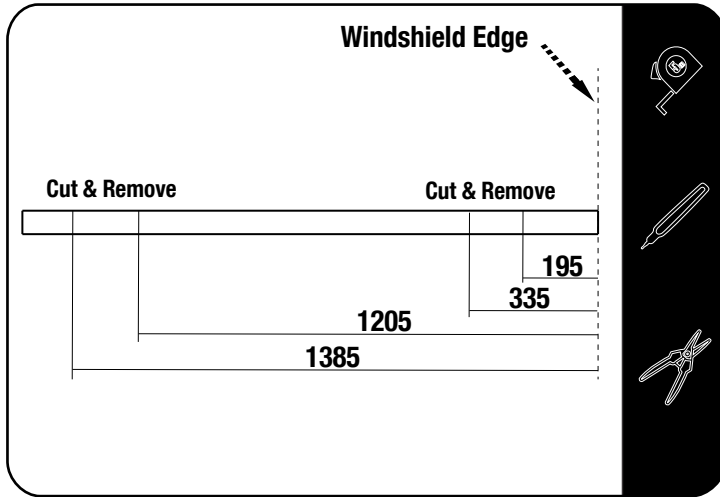


**2**

**FIT AND SECURE**

**Ditch Mold Cut**

2.1



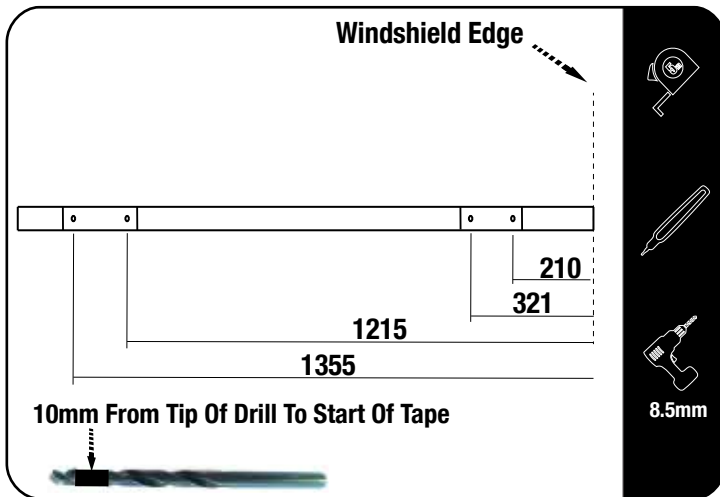
Measure and mark the dimensions shown in the diagram.

Remove the two ditch moldings from the vehicle. Take care when removing them as they are made from metal and can bend easily.

Cut the ditch moldings on the marks you made.

**Ditch Mold Drill**

2.2

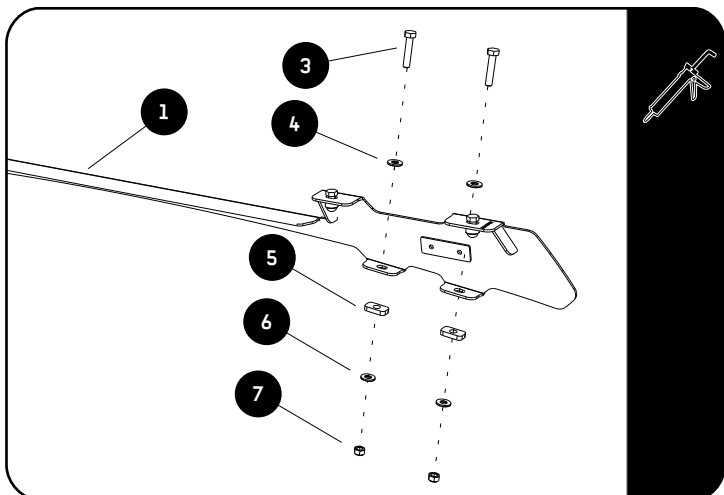


Measure and mark the hole positions shown in the diagram (4 per side). The positions must be centered in the ditch.

Before drilling the holes in the roof, take your 8.5 mm drill bit and wrap a band of insulation tape around the drill bit to act as a stopper to prevent you from drilling too deep as there are airbags located below where you will be drilling.

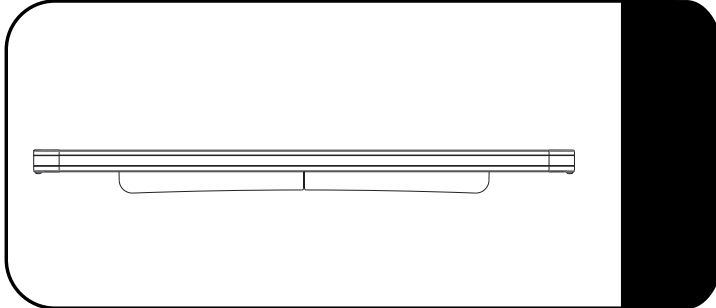
There is no need for a lot of downward pressure. Let the drill do the work.

2.3

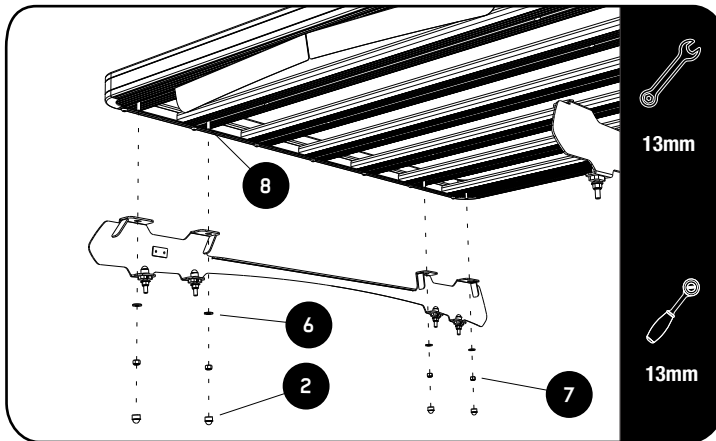


Before placing a spacers (Item 5), apply a bead of silicon around each of the holes you have drilled.

Secure the Foot Rails to the vehicle using M8 x 40 Hex Bolts, M8 x 16 x 1.6SS, M8 x 19 x 2SS Flat Washers and M8 Nyloc Nuts. (Items 3, 4, 6 & 7) as shown.

**3****FIT AND SECURE****3.1**

Make sure that the wind deflector is installed before you proceed to the next step.

**3.2**

Fit your Roof Rack to the Foot Rails using M8 x 20 Hex Bolts, M8 x 16 x 1.6SS Flat Washers and M8 Nyloc Nuts (Items 6, 7 & 8).

**3.3**

Center the rack and tighten fully. Use M8 nut caps (Item 2) to finish off the nuts.



4

## COMPLETION

4.1



Congratulations! You did it. Take a step back and admire your work!

5

## INSTALL OTHER VEHICLE AND RACK ACCESSORIES

Now's the time to visit your favorite Front Runner Dealer in person or Online.

### IMPORTANT!

**NOTE:** Front Runner rack kits often have a higher load rating than the vehicles they are mounted to. Please refer to your specific vehicle manufacturer for a recommended roof load rating. Front Runner cannot be responsible for improper loading beyond the vehicle manufacturer's stated load capacity.

Be sure to tag us. We love to see our gear in action! #FrontRunnerOutfitters #BornToRoam

Share your adventures on:  