

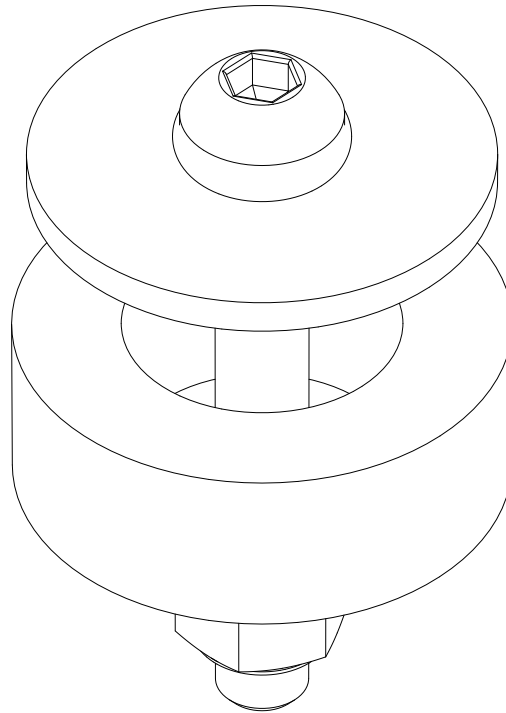


FRONT RUNNER
VEHICLE OUTFITTERS

**JEEP WRANGLER JK/JKU
ROOF SEAL REPLACEMENT KIT**

ENG

RRAC114



READ ME !

Thank you for purchasing a Front Runner Jeep Wrangler JK/JKU Roof Seal Replacement Kit.

Before you start, take a moment to familiarize yourself with the Fitting Instructions and the components received.

Refer to Page 2 for a list of all the components, quantities and tools required.

IMPORTANT WARNING!

IT IS CRITICAL THAT ALL FRONT RUNNER PRODUCTS BE PROPERLY AND SECURELY ASSEMBLED AND ATTACHED TO YOUR VEHICLE. IMPROPER ATTACHMENT COULD RESULT IN AN AUTOMOBILE ACCIDENT, AND COULD CAUSE SERIOUS BODILY INJURY OR DEATH. YOU ARE RESPONSIBLE FOR ASSEMBLING AND SECURING ALL FRONT RUNNER PRODUCTS TO YOUR VEHICLE. CHECKING THE ATTACHMENTS PRIOR TO USE, AND PERIODICALLY INSPECTING THE PRODUCTS FOR ADJUSTMENT, WEAR AND DAMAGE. THEREFORE YOU MUST READ AND UNDERSTAND ALL OF THE INSTRUCTIONS AND PRECAUTIONS SUPPLIED WITH YOUR FRONT RUNNER PRODUCT PRIOR TO INSTALLATION OR USE. IF YOU DO NOT UNDERSTAND ALL OF THE INSTRUCTIONS AND CAUTIONS, OR IF YOU HAVE NO MECHANICAL EXPERIENCE AND ARE NOT THOROUGHLY FAMILIAR WITH THE INSTALLATION PROCEDURES, YOU SHOULD HAVE THE PRODUCT INSTALLED BY A PROFESSIONAL INSTALLER OR OTHER QUALIFIED PERSONNEL.

1

GET ORGANIZED

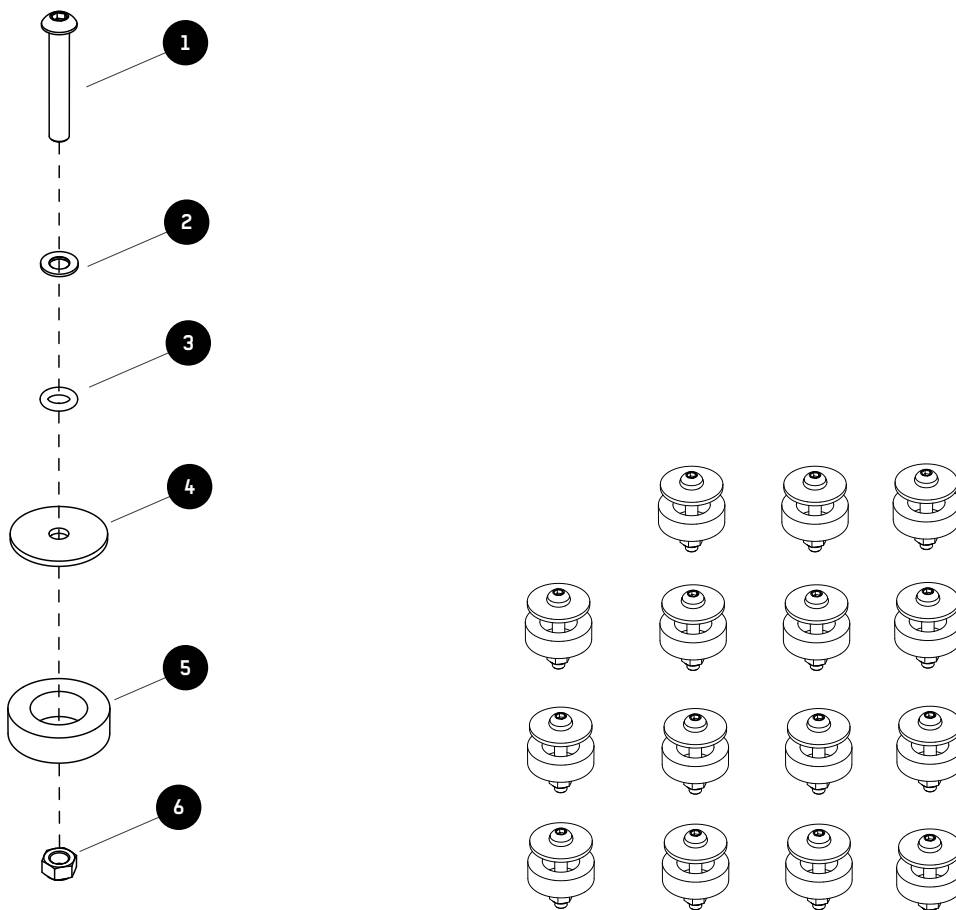
IN THE BOX

1	16 X	M6 x 40 Button Head
2	16 X	M6 x 12 x 1SS Flat Washer
3	16 X	O Ring ID 6.6mm x 2.4mm Thick
4	16 X	Washer 30 x 6.1 x 2mm
5	16 X	Foam Washer 10mm x 18mm I/D x 32mm O/D
6	16 X	M6 Nyloc Nut

TOOLS NEEDED



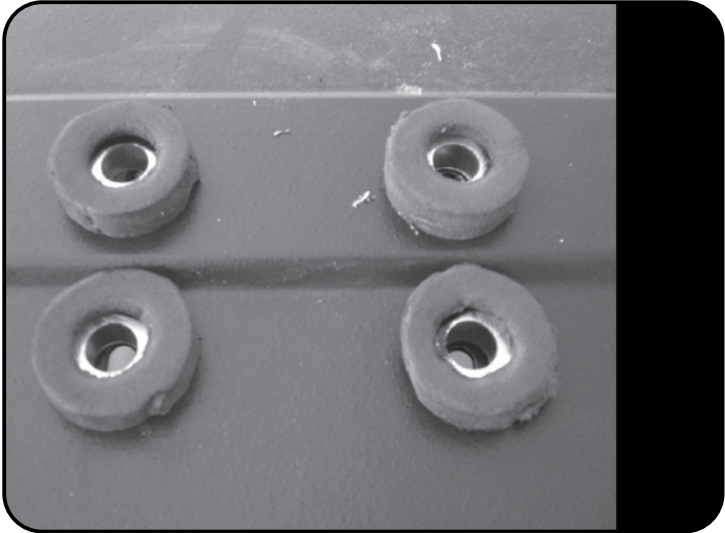
FIGURE 1.1



2

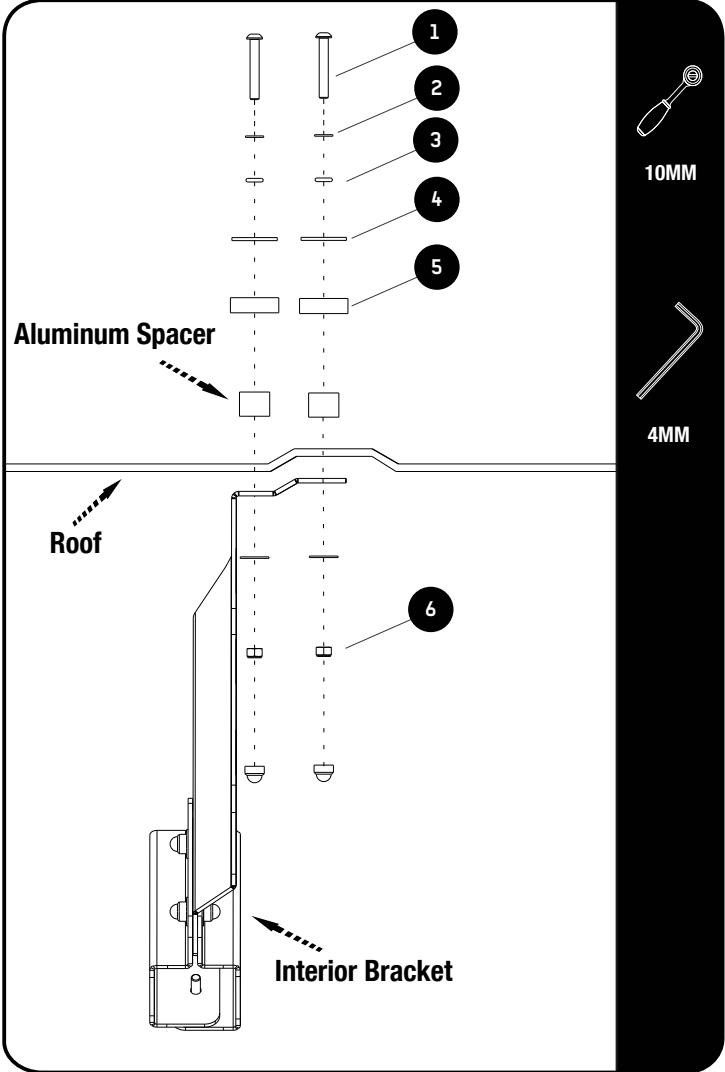
FIT AND SECURE

2.1



Remove the Tray, Front Uprights and the Foot Rail, by reversing the installation procedure.

2.2



Rear View

Insert the bolt seal assembly (Items 1, 2, 3, 4) into each of the 16 holes in the roof.

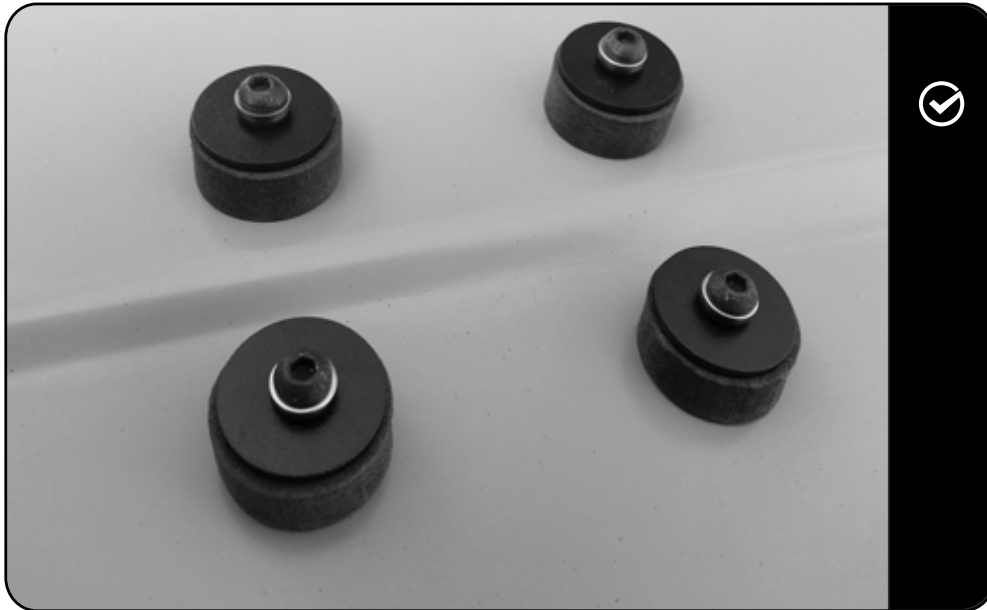
Tighten and secure to the Interior Bracket using Nyloc Nuts (Item 6).

Replacement seal washers have been supplied should they be needed.

3

COMPLETION

3.1



Congratulations! You did it. Take a step back and admire your work!

4

Front Runner will not be responsible for any damage caused by the failure to install the product according to these instructions. Please call us if you have any questions about the installation of this product.

5

INSTALL OTHER VEHICLE AND RACK ACCESSORIES

Now's the time to visit your favorite Front Runner Dealer in person or online.