

## READ ME !

Thank you for purchasing a Toyota 4Runner (5th GEN) No Drill Installation Kit.  
Before you start, take a moment to familiarize yourself with the Fitting Instructions and the components received.  
Refer to Page 2 for a list of all the components, quantities and tools required.

## IMPORTANT WARNING!

IT IS CRITICAL THAT ALL FRONT RUNNER PRODUCTS BE PROPERLY AND SECURELY ASSEMBLED AND ATTACHED TO YOUR VEHICLE. IMPROPER ATTACHMENT COULD RESULT IN AN AUTOMOBILE ACCIDENT, AND COULD CAUSE SERIOUS BODILY INJURY OR DEATH. YOU ARE RESPONSIBLE FOR ASSEMBLING AND SECURING ALL FRONT RUNNER PRODUCTS TO YOUR VEHICLE, CHECKING THE ATTACHMENTS PRIOR TO USE, AND PERIODICALLY INSPECTING THE PRODUCTS FOR ADJUSTMENT, WEAR AND DAMAGE. THEREFORE, YOU MUST READ AND UNDERSTAND ALL OF THE INSTRUCTIONS AND PRECAUTIONS SUPPLIED WITH YOUR FRONT RUNNER PRODUCT PRIOR TO INSTALLATION OR USE. IF YOU DO NOT UNDERSTAND ALL OF THE INSTRUCTIONS AND CAUTIONS, OR IF YOU HAVE NO MECHANICAL EXPERIENCE AND ARE NOT THOROUGHLY FAMILIAR WITH THE INSTALLATION PROCEDURES, YOU SHOULD HAVE THE PRODUCT INSTALLED BY A PROFESSIONAL INSTALLER OR OTHER QUALIFIED PERSONNEL.

**NOTE:** Front Runner will not be responsible for any damage caused by the failure to install the product according to these instructions.  
Please call us if you have any questions about the installation of this product.



# 1 GET ORGANIZED

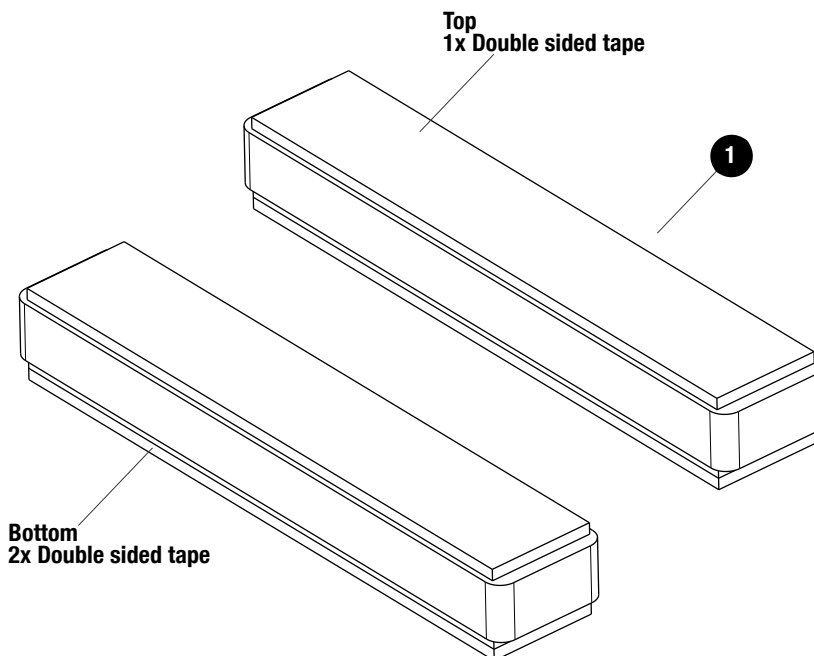
## IN THE BOX

1	2 X	Spacer
---	-----	--------

## TOOLS NEEDED



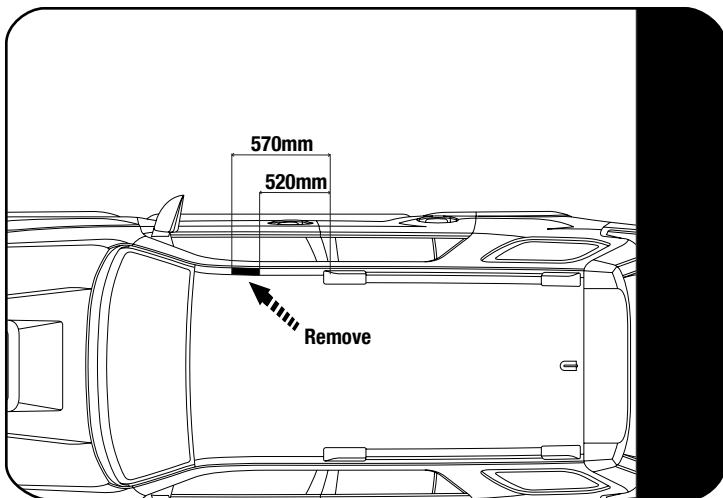
FIGURE 1.1



**2**

**FIT AND SECURE**

2.1

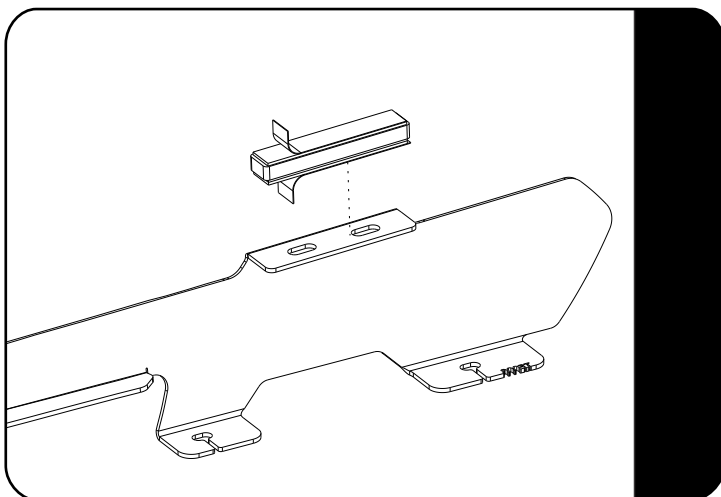


With the factory rails removed, use the center of the existing front hole of the roof rail, mark out the dimension as shown on the ditch molding. Do this on the left and right side.

Place assembled foot rail over the existing holes and markings to check.

Cut the molding at the marks and remove the section. The Spacer (Item 1) must sit at the bottom of the ditch.

2.2

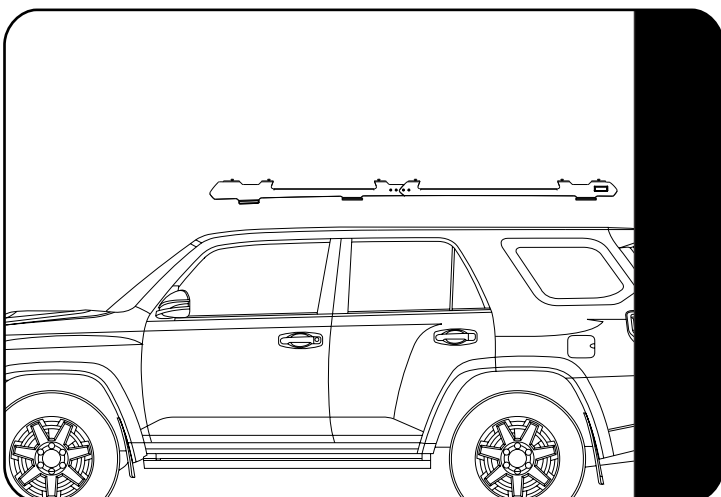


Use denatured alcohol and ensure the ditch and foot rail base is clean from any residue.

Remove the backing of the top layer of the double sided tape, (1 Pieces of double sided tape) and firmly push the spacer against the under side of the front mounting tag of the foot rail.

Remove the backing of the bottom layer of the double sided tape, (2 Pieces of double sided tape) and firmly push the spacer into the ditch ensuring it is centered.

2.3



Refer to FATF006 Fitment Guide.

**3**

### **FINISH**

Congratulations! You did it. Take a step back and admire your work!

**4**

### **INSTALL OTHER VEHICLE AND RACK ACCESSORIES**

Now's the time to visit your favorite Front Runner Dealer in person or online.

**Be sure to tag us. We love to see our gear in action! #FrontRunnerOutfitters #BornToRoam**

**Share your adventures on:** 