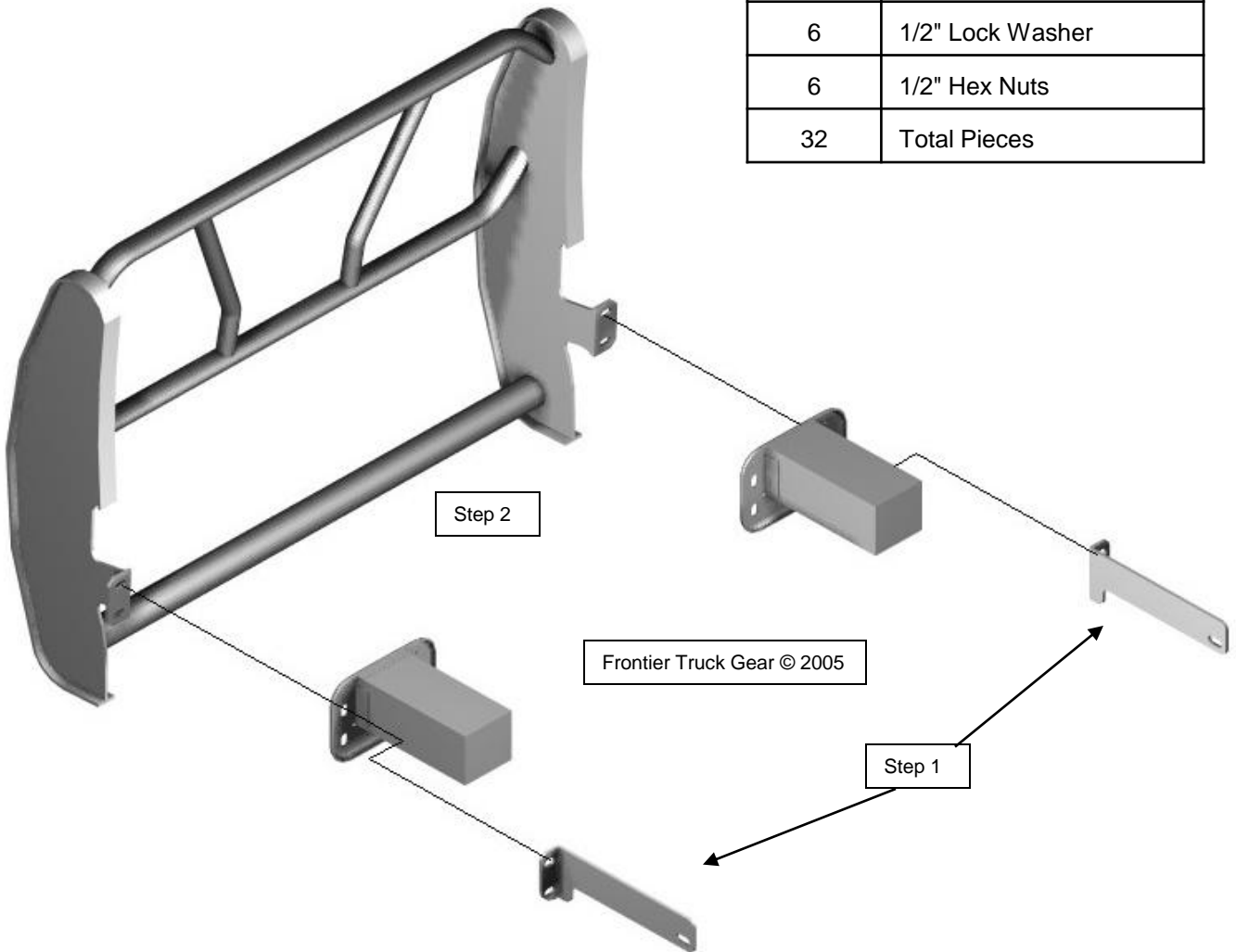


**05-07 Ford F250-F450, Excursion Grille Guard Installation Instructions.**  
**Part # 200-10-5003**

| Bolt Bag Contents: |                       |
|--------------------|-----------------------|
| Quantity           | Description           |
| 2                  | Frame support bracket |
| 12                 | 1/2" Flat Washers     |
| 6                  | 1/2" X 1-3/4" Bolts   |
| 6                  | 1/2" Lock Washer      |
| 6                  | 1/2" Hex Nuts         |
| 32                 | Total Pieces          |



**Step 1:** Install frame support bracket behind frame horn.

**Step 2:** Mount grill guard to frame horn using the outside bolt holes. Bolts will go through the grill guard bracket, the frame horn, and the frame support bracket that was installed in step 1.

**Step 3:** Check alignment of grille guard to truck and tighten all bolts.