



WEATHERBEATER™

PT #18051

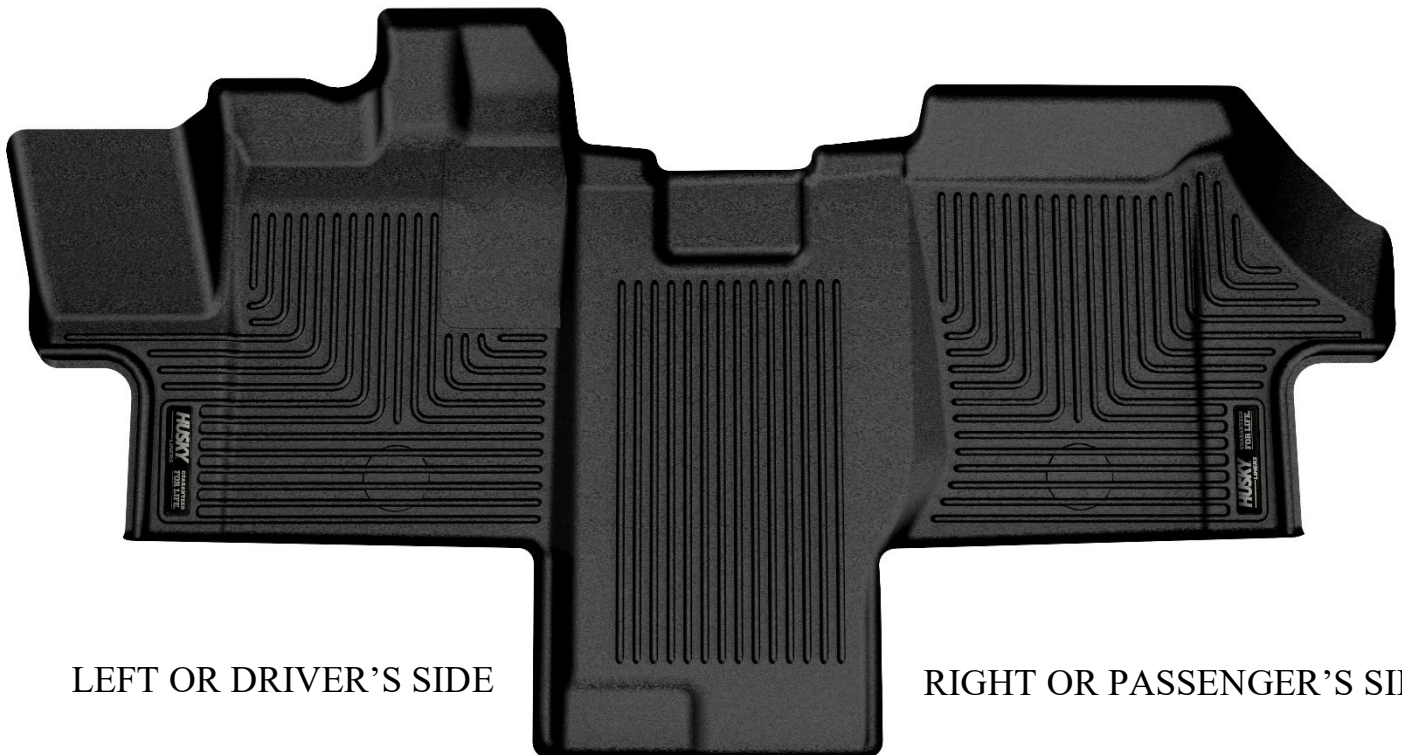
FLOOR LINERS

CARE AND USE INSTRUCTIONS

Thank you for selecting a WeatherBeater® Floor Liner from Husky Liners. Your new front floor liners are custom molded to fit your specific vehicle. The liners are made to take the place of your factory floor mats. ***For correct fit, it is necessary to remove the factory floor mats before installing your new floor liner.*** However, do not remove the factory-installed carpeting.

Your liners are made from an engineering resin that is lightweight and extremely tough and durable. The easiest way to clean your liners is with a damp cloth or sponge. If using a cleaner, 409® or Glass Plus® work well. Use of Armor All®, Son-of-a-Gun® or similar items is discouraged as these products make the liners slick.

INSTALLATION INSTRUCTIONS FOR YOUR CUSTOM MOLDED FRONT FLOOR LINERS



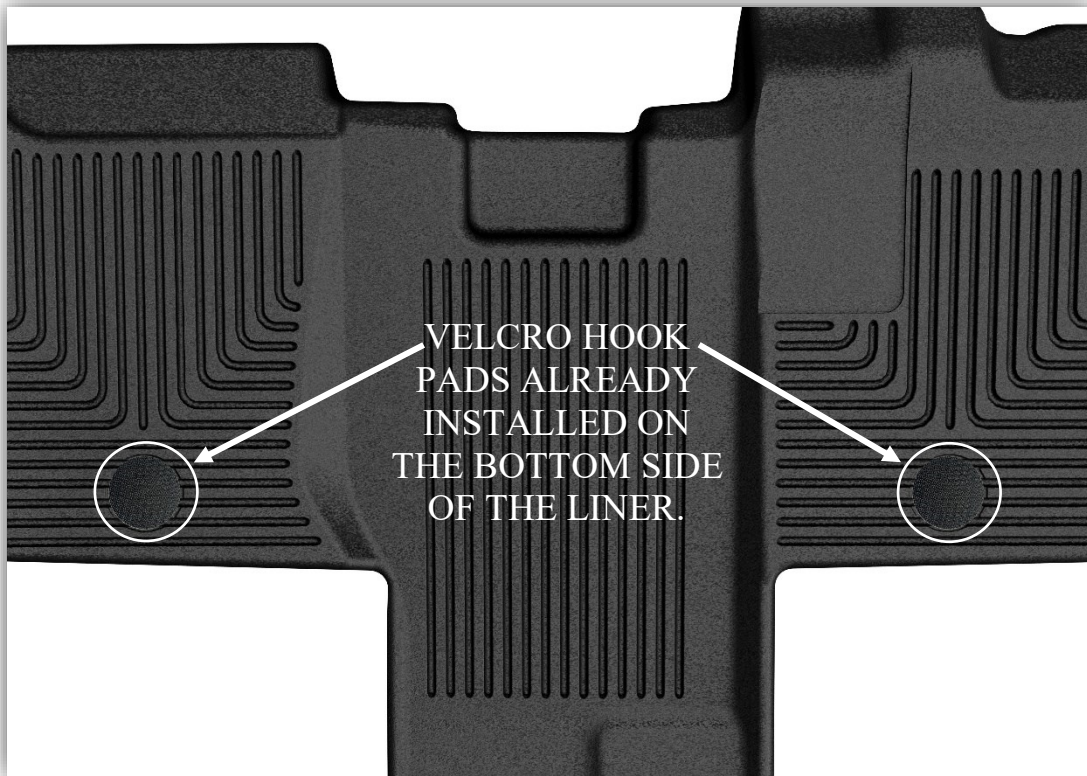


WEATHERBEATER™ FLOOR LINERS

PT #18051

LINER AND VELCRO INSTALLATION

TO EASE THE INSTALLATION OF YOUR FRONT LINERS, MOVE BOTH FRONT SEATS TO THEIR MOST REARWARD POSITION AND REMOVE ANY EXISTING FLOOR MATS.



ENSURE THE FLOOR IS CLEAR OF ALL DIRT AND DEBRIS BEFORE INSTALLING THE LINER. THE LINER COMES WITH 2 SETS OF ADHESIVE BACKED VELCRO PADS TO HELP SECURE THE LINER TO THE FLOOR.

THE VELCRO HOOK PADS ARE PRE-INSTALLED FOR YOU ON THE BOTTOM SIDE OF THE LINER. THERE ARE TWO SUPPLIED VELCRO LOOP PADS IN THE BOX.

PRESS THE LOOP AND HOOK PADS TOGETHER, SECURING THEM TO THE LINER.

DO NOT REMOVE THE PLASTIC COVERING FROM THE BACK OF THE LOOP PADS YET.

INSTALL THE LINER INSIDE THE VEHICLE.

LIFT ONE SIDE OF THE LINER AND REMOVE THE PLASTIC COVERING FROM THE ADHESIVE ON THE VELCRO LOOP PAD.

PRESS DOWN ON THE LINER TO INSURE PROPER ADHESION TO THE FLOOR.

REPEAT FOR THE OTHER VELCRO PAD.

ONCE THE LINERS ARE INSTALLED, MOVE THE FRONT SEATS TO THEIR DESIRED LOCATIONS.