



# WEATHERBEATER™ FLOOR LINERS

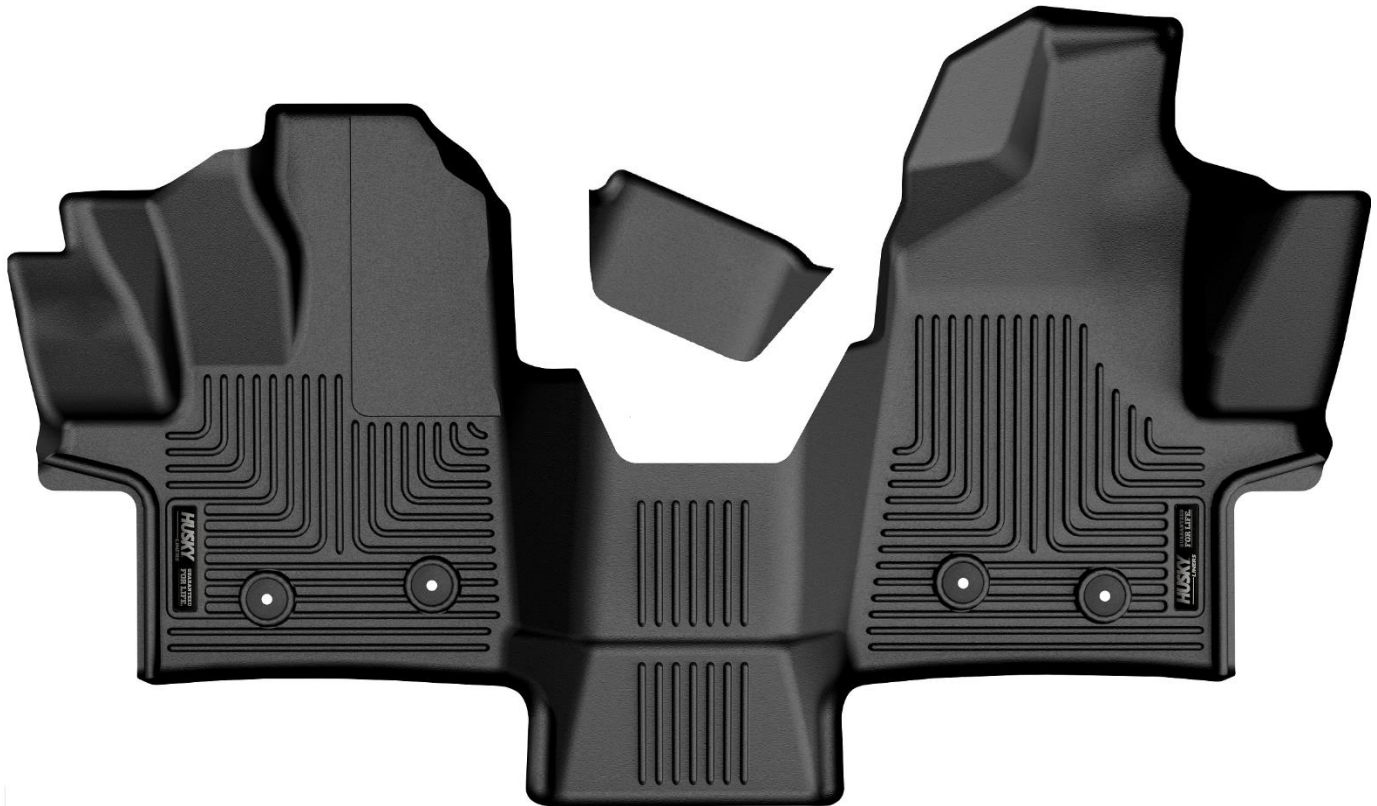
## CARE AND USE INSTRUCTIONS

---

Thank you for selecting a WeatherBeater® Floor Liner from Husky Liners. Your new front floor liners are custom molded to fit your specific vehicle. The liners are made to take the place of your factory floor mats. **For the correct fit, it is necessary to remove the factory floor mats before installing your new floor liner.** However, do not remove the factory-installed carpeting.

Your liners are made from an engineering resin that is lightweight and extremely tough and durable. The easiest way to clean your liners is with a damp cloth or sponge. If using a cleaner, 409® or Glass Plus® work well. Use of Armor All®, Son-of-a-Gun® or similar items is discouraged as these products make the liners slick.

## INSTALLATION INSTRUCTIONS FOR YOUR CUSTOM MOLDED FRONT FLOOR LINERS



TO EASE THE INSTALLATION OF YOUR FRONT LINERS, MOVE BOTH FRONT SEATS TO THEIR MOST REARWARD POSITION. NEXT, REMOVE ANY EXISTING FLOOR MATS AND INSTALL THE LINERS, POSITIONED AS SHOWN ABOVE. ONCE THE LINERS ARE INSTALLED, MOVE THE FRONT SEATS TO THEIR DESIRED LOCATIONS.

YOUR VEHICLE MAY HAVE AN OPTIONAL CONSOLE THAT EXTENDS FURTHER INTO THE FLOOR PAN. IF SO, YOU WILL NEED TO TRIM YOUR LINER TO ACCOMMODATE THIS CONSOLE. TO TRIM, USE THE MOLDED IN STEP IN YOUR LINER AS A TRIM GUIDE AND REMOVE THE SECTION OF LINER AS SHOWN ABOVE. PLEASE TEST FIT YOUR LINER IN THE VEHICLE BEFORE TRIMMING.