

2024 TOYOTA TACOMA WITH FACTORY FENDER FLARES
****DOES NOT FIT TRD PRO OR TRAILHUNTER****

FRONT MUD GUARD INSTALLATION INSTRUCTIONS

Please read instructions thoroughly before installation.

Tools Required

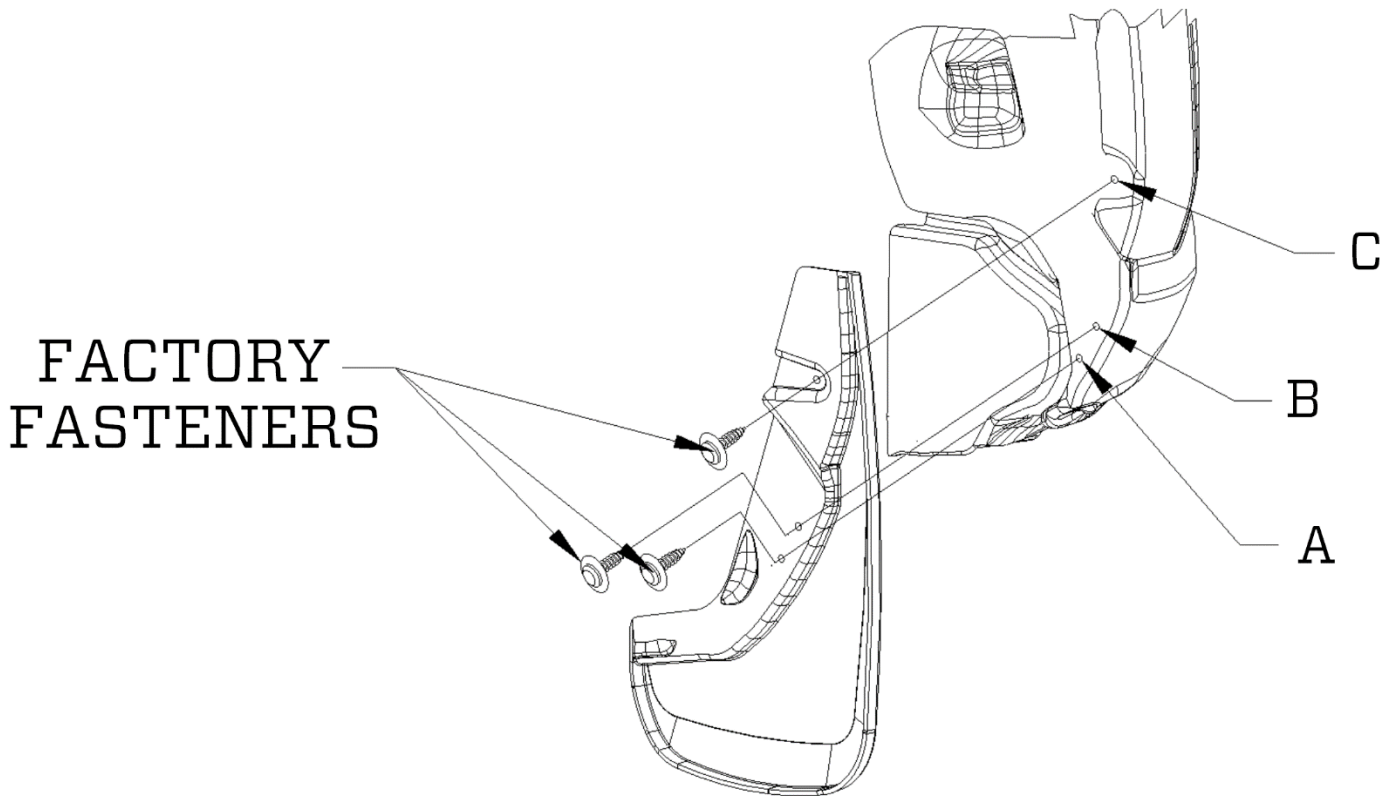
- 10mm Socket / Driver
- Phillips Head Screwdriver

Package Contents

- Front Mud Guard Set (DS/PS)
- Instruction Sheet

Determine which mudguard you have by locating the part number molded in the mounting flange (5695 DS and 5695 PS).

1. Clean and degrease the mud guard location area on the fender before installation.
2. Remove factory fasteners at locations A, B and C using a 10mm socket, where applicable. Keep these fasteners as they will be reused.
3. Attach mud guards to front fenders using factory fasteners and 10mm socket. Loosely tighten all fasteners, then check fit and make sure mud guard is parallel to ground before tightening.



2024 TOYOTA TACOMA WITH FACTORY FENDER FLARES****DOES NOT FIT TRD PRO OR TRAILHUNTER******REAR MUD GUARD INSTALLATION INSTRUCTIONS**

Please read instructions thoroughly before installation.

Tools Required

- 10mm Socket / Driver
- Phillips Head Screwdriver

Package Contents

- Rear Mud Guard Set
- Instruction Sheet

Determine which mudguard you have by locating the part number molded in the mounting flange (5795 DS and 5795 PS).

4. Clean and degrease the mudguard location area on the fender before installation.
5. Remove factory fasteners at locations A, B, C, and D using a 10mm socket, where applicable. Keep these fasteners as they will be used to install the mud guards.
6. Loosely attach the mudguards to the rear fenders with the factory fasteners at locations A, B, C, and D using the 10mm socket. Check fit and make sure mudguard is parallel to the ground before tightening.

