

# WHEEL WELL LINERS 09-16 FORD 250/350



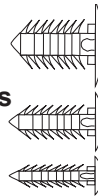
Driver Side Wheel Well (A)

### LIST OF CONTENTS:

- (A) 1 - Driver Side Wheel Well
- (B) 1 - Passenger Side Wheel Well

### LIK39 KIT:

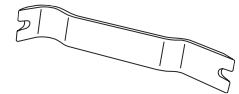
- (C) 2 - Large Christmas Tree Fastener
- (D) 2 - Medium Christmas Tree Fastener
- (E) 12 - Small Christmas Tree Fastener



Passenger Side Wheel Well (B)

### TOOLS REQUIRED:

- Ratchet using 10mm socket in steps 3 & 8.
- 13mm wrench in steps 3 & 8.
- Easy removal tool or flat screwdriver in step 4.

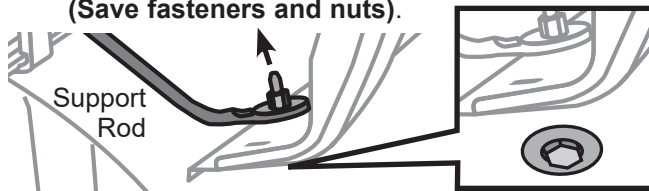


## INSTALLATION INSTRUCTIONS

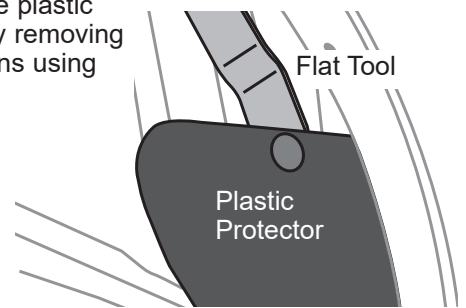
**1** PLEASE READ INSTRUCTIONS CAREFULLY BEFORE STARTING THE INSTALLATION. One person can perform the installation.

**2** **VEHICLE PREPARATION:** It is important that all areas where the wheel wells mount are clean and free of debris prior to installing.

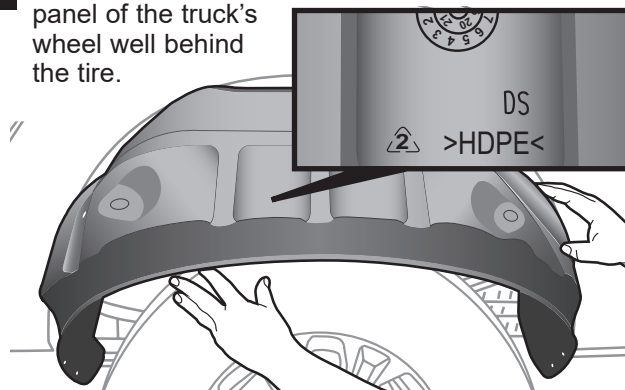
**3** Start on the driver side by removing the fasteners and nuts that hold the support rods to the bottom of the wheel fender using a ratchet with 10mm socket and 13mm wrench for front and rear. **(Save fasteners and nuts).**



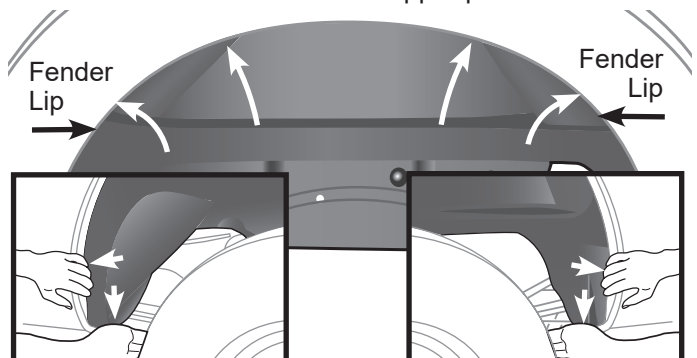
**4** Remove the plastic protector by removing the push pins using a flat tool.



**5** Start on the driver side by setting the driver side wheel well (A) marked as (DS) inside the inner panel of the truck's wheel well behind the tire.



**6** Tuck the bottom sides of the lower part of the wheel well liner behind the metal lip of truck's fender and then tuck the upper part.



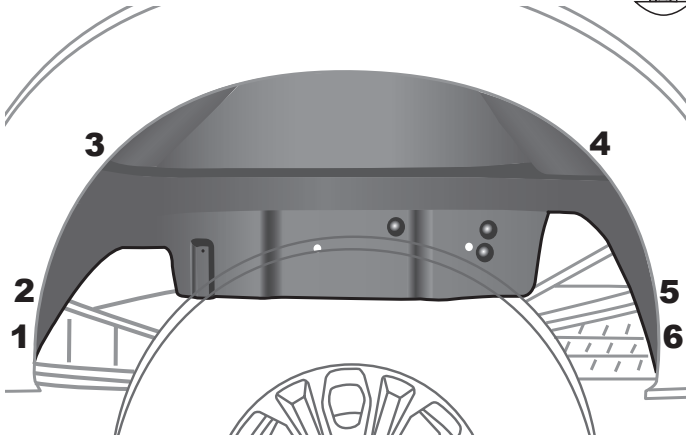


GUARANTEED...FOR LIFE.

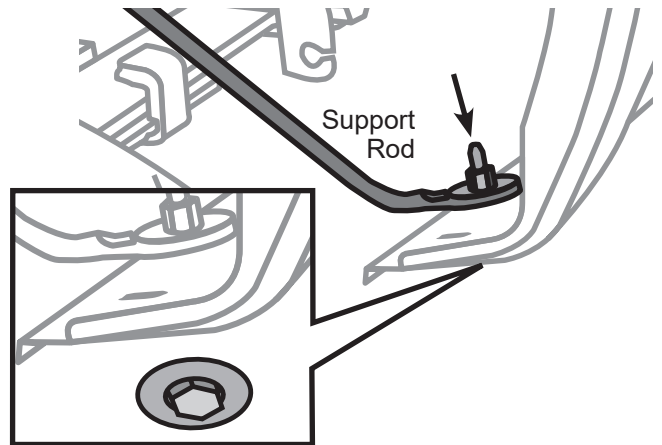
# WHEEL WELL LINERS 09-16 FORD 250/350

PART# 79111

**7** Locate the (6) pre-drilled holes in the liner and insert a small Christmas tree fastener (E) in each hole and into the pre-existing holes in the sheet metal.



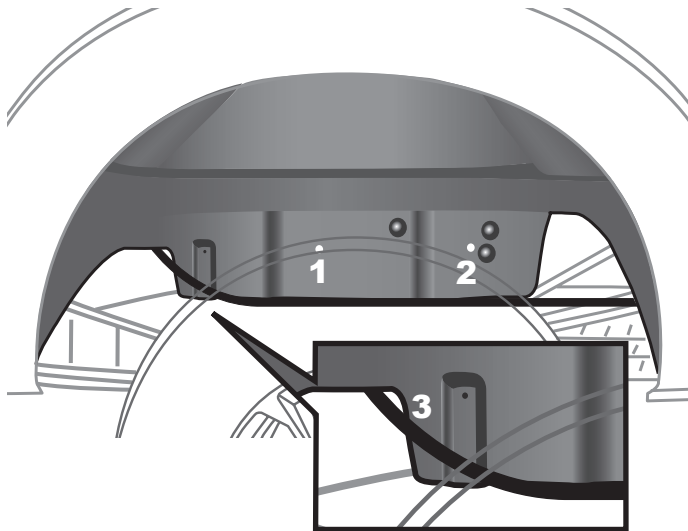
**8** Re-install the fasteners and nuts you saved from step 3 that hold the support rods to the bottom of the wheel fender using a ratchet with 10mm socket and 13mm wrench for the front and rear.



**9** Locate the (2) pre-drilled holes near the bottom section of the liner and insert a medium Christmas tree fastener (D) through each hole in the liner and into the pre-existing holes in the sheet metal frame.



**Note:** Make sure cable 3 is in front of the liner.



**10 PASSENGER SIDE**  
Repeat steps 3-8 using the passenger side wheel well (B) marked (PS). Then follow step 11 below for the last step in passenger side installation.

**11** Locate the (2) pre-drilled holes near the bottom section of the liner and insert a large Christmas tree fastener (C) through each hole in the liner and into the pre-existing holes in the sheet metal frame.

