

# Installation Instructions

I - Sheet Number HUSKYASK05 Rev.A



## Aeroskin LightShield Pro™

**For proper installation and best possible fit, please read all instructions BEFORE you begin.  
For technical assistance or to obtain missing parts, please call Customer Relations at 1-800-344-8759.**

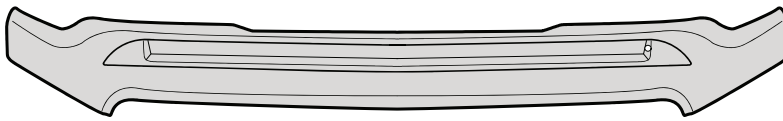
### Important Safety Information



- CAUTION - Before driving, ensure that the LightShield is properly secured to vehicle.
- Do not use automatic "brush-style" car washes.
- Do not use cleaning solvents of any kind.
- Periodically check all components for tightness.

### Contents

**NOTE:** Actual product may vary from illustration.



LightShield



Alcohol Pad x6



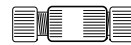
Surface Prep x1



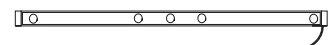
Wire Stay x8



Foam Tab x1



Wire Connector x4



Light strip x1

### Tools Required



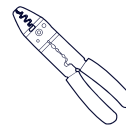
Car Wash Supplies



Clean Towel



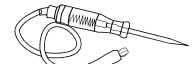
Masking Tape



Wire Stripping Tool



Grease Pencil

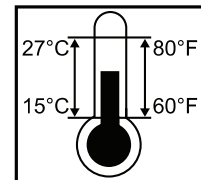


Test Light

### Preparation Before Painting / Installation

- A trial fit is recommended to ensure proper positioning and fit.
- Check fit of parts before painting as we will not accept the return of modified or painted parts.
- Wash and dry your vehicle to remove any debris and/or dirt from the installation area.

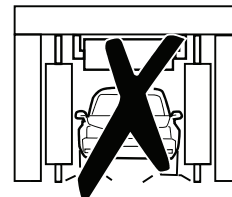
**NOTE:** Ensure vehicle surface and part are between 60°F and 80°F (15°C and 27°C) prior to installation.



Do not drive vehicle for 24 hours after installation.



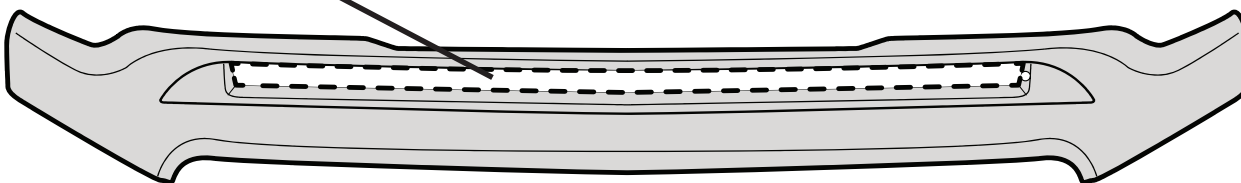
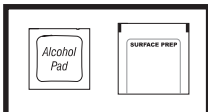
Do not wash vehicle for 72 hours after installation.



# Installation Steps

**NOTE:** Actual application may vary slightly from illustrations.

First, clean the recessed area of the LightShield with an alcohol pad and allow to dry.  
Next, apply one coat of Surface Prep to the same area.



1

Straighten the Light strip and allow it to relax and flatten out.



Electrical wire

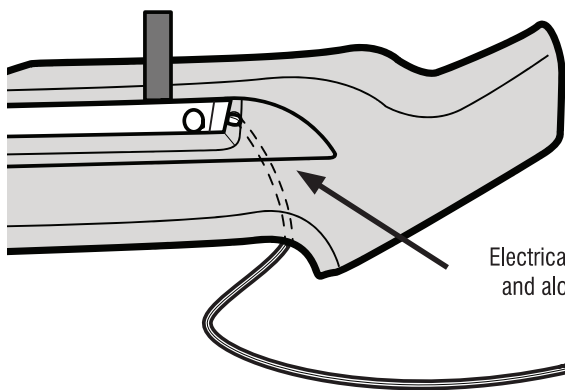
2

Peel back 2" of tape liner from each end of the backside of the Light strip. Fold the tape tabs over so that the free ends are accessible.



3

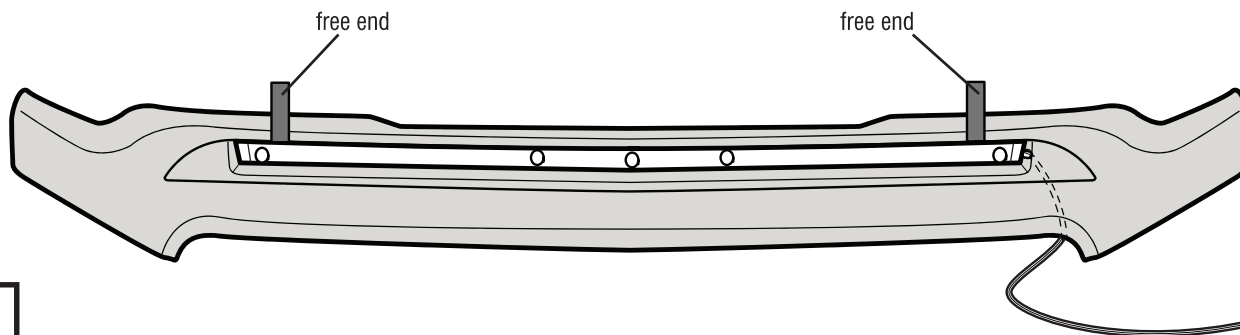
Thread electrical wire through hole in the corner of the LightShield and position Light strip along recessed area of LightShield.



Electrical wire threaded through hole and along backside of LightShield

4

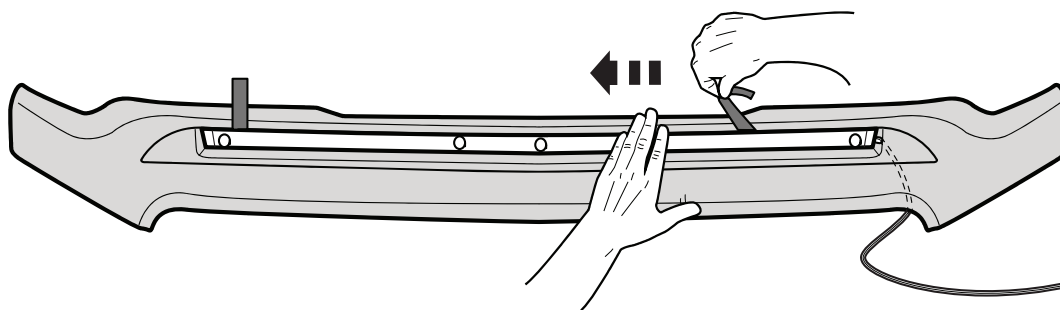
Carefully align the Light strip in place along the recessed area of the LightShield. Once positioned, press down on the exposed area of tape to tack the Light strip in place. Ensure that free ends of tape tabs are accessible.



5

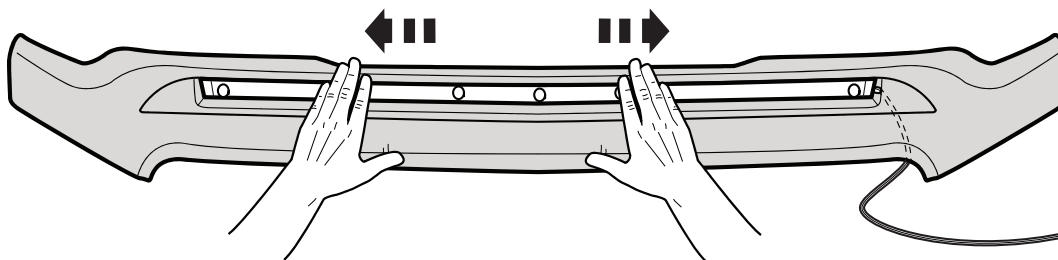
# Installation Steps **NOTE:** Actual application may vary slightly from illustrations.

Begin removing remaining tape liner by grasping the free end and pulling gently in 6" (15 cm) sections, while applying even pressure with hand to Light strip.



6

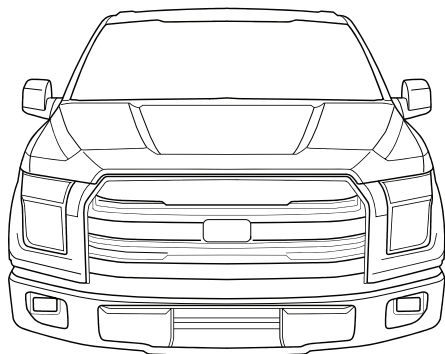
With tape liner completely removed, apply firm pressure along entire length of Light strip to ensure adhesion of tape to LightShield surface.



7

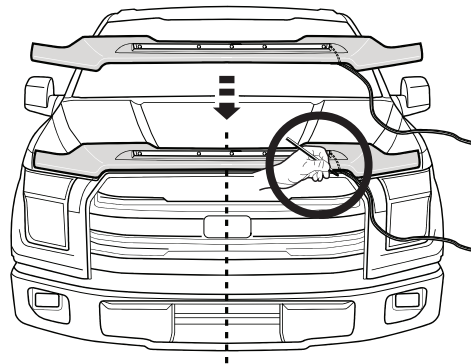


Prior to installation of LightShield, wash the hood of vehicle and dry with a clean cloth.



8

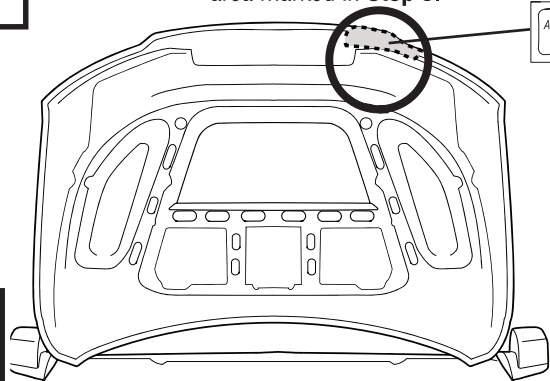
Test fit LightShield on vehicle. Center part on hood and use a grease pencil to mark the location where the electrical wire exits the LightShield and will eventually wrap under the hood.



9

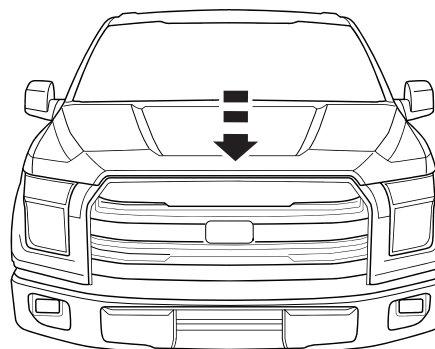


Remove LightShield and raise hood. Use an alcohol pad to clean the underside of the hood around the area marked in **Step 9**.



10

Close hood.



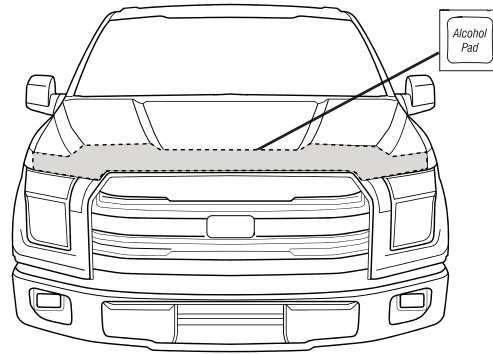
11

# Installation Steps

**NOTE:** Actual application may vary slightly from illustrations.

Alcohol Pad

Use the alcohol pads to clean the entire **LEADING EDGE** of the hood.

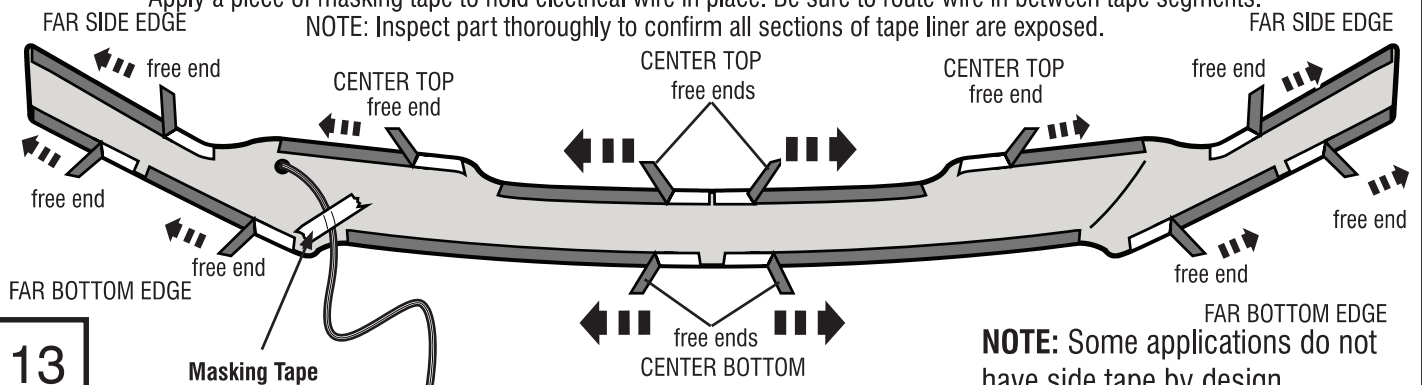


12

Expose 2" (5 cm) of tape liner from each section of LightShield. Ensure you can access the free ends of tape liner.

Apply a piece of masking tape to hold electrical wire in place. Be sure to route wire in between tape segments.

**NOTE:** Inspect part thoroughly to confirm all sections of tape liner are exposed.

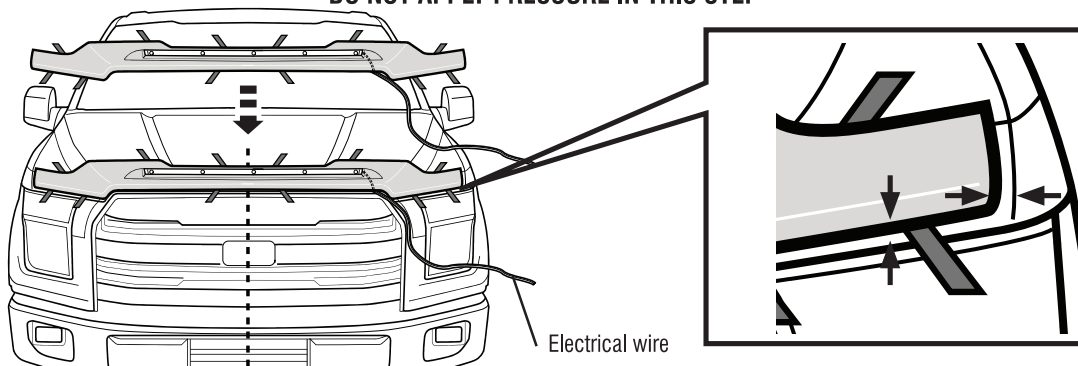


13

**NOTE:** Some applications do not have side tape by design.

Center the Aeroskin on the hood. Part should be positioned about 1/16" (1.5mm) from hood edge on all sides.

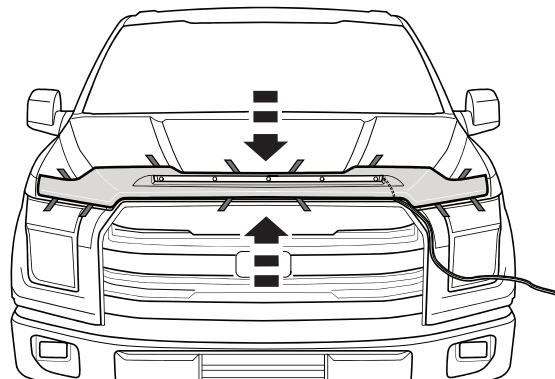
**DO NOT APPLY PRESSURE IN THIS STEP**



14

Electrical wire

Apply **LIGHT PRESSURE** to the exposed tape at **CENTER LOCATIONS ONLY** to tack LightShield in place. Raise hood slightly.



15

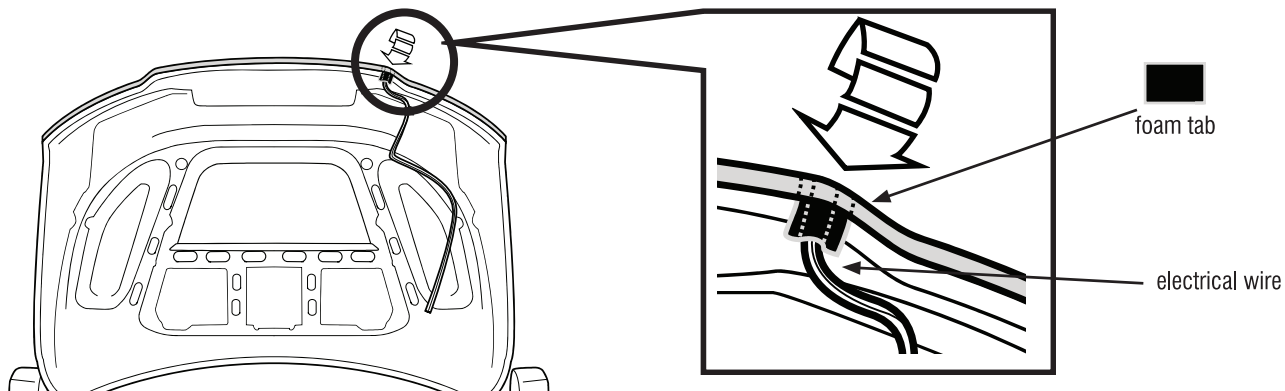
## Installation Steps

**NOTE:** Actual application may vary slightly from illustrations.

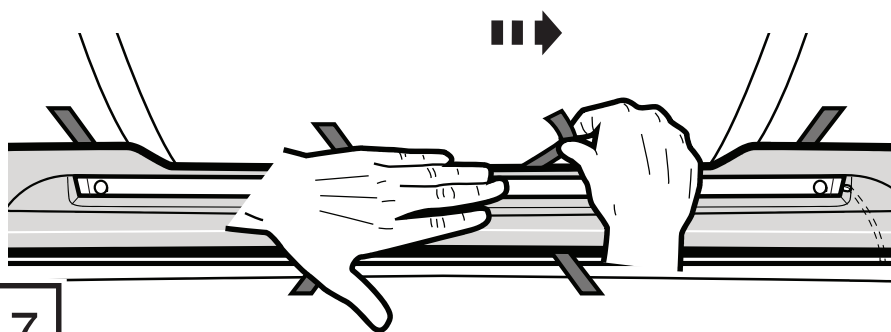
Wrap foam tab around hood edge **OVER WIRING** and secure the electrical wire in a protected position. Carefully lower hood.

**NOTE:** Use caution not to pinch electrical wire while closing hood!

16



Begin removing remaining tape liner, beginning with the drivers side CENTER TOP sections. Grasping the free end, pull tape gently in 6" (15 cm) sections, while applying even pressure with hand to LightShield. Repeat process for passenger side.

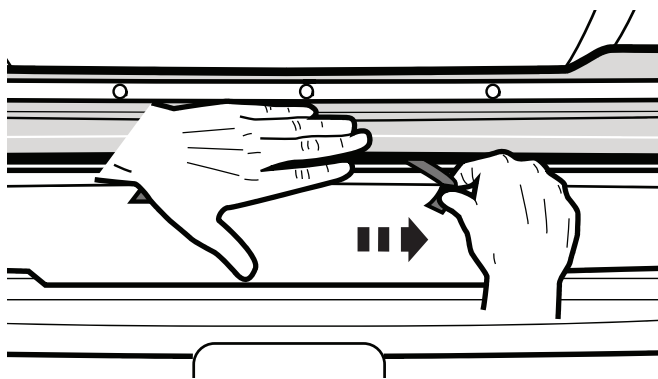


**CAUTION:** You must apply even pressure **from center section out** to each end of part, in order for proper adhesion to hood.

17

**NOTE:** Do not apply pressure closer than 6" (15 cm) to tape liner as it could accidentally break.

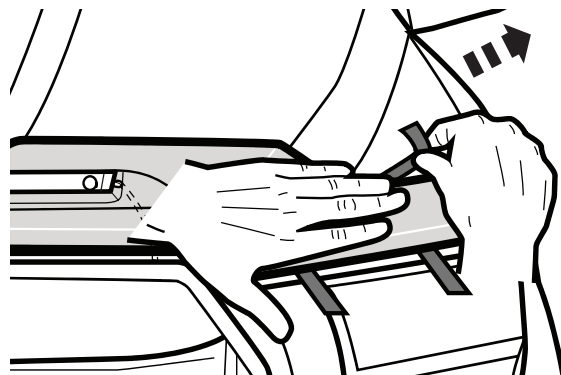
Using the same process, remove tape liner from the driver side CENTER BOTTOM of LightShield. Repeat for passenger side.



**CAUTION:** You must apply even pressure **from center section out** to each end of part, in order for proper adhesion to hood.

18

Again using the same process, remove tape liners from the driver side FAR SIDE EDGES and FAR BOTTOM EDGES of LightShield. Repeat for passenger side.

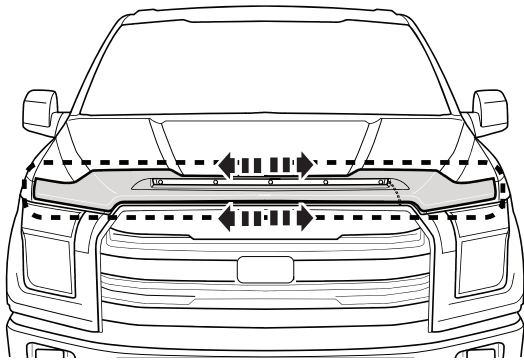


**NOTE:** Some applications do not have side tape by design.

19

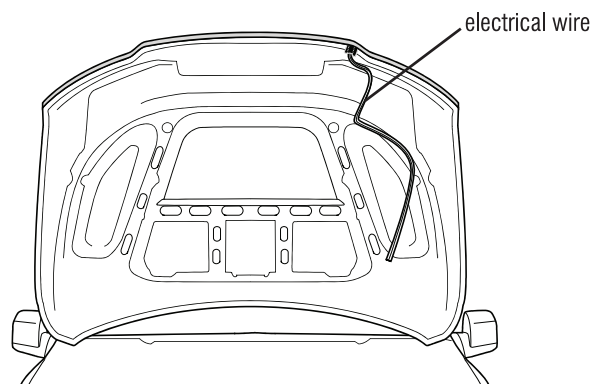
# Installation Steps **NOTE:** Actual application may vary slightly from illustrations.

Press firmly along all edges of LightShield to ensure adhesion of tape to hood surface.



20

Raise hood.



21



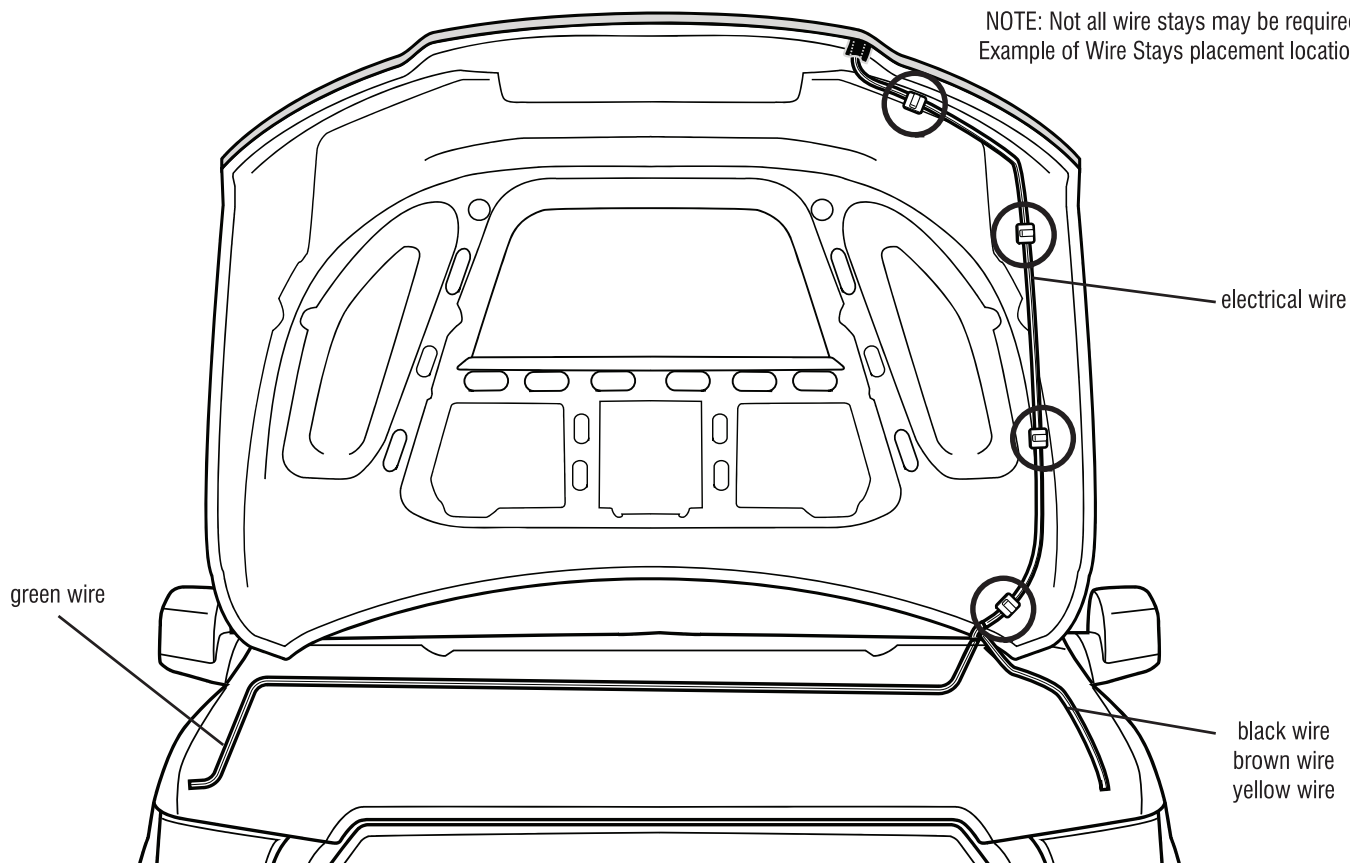
Begin by routing all 4 wires along drivers side hood. 3-4 Wire Stays are used to hold the electrical wires in position. Clean mounting locations with an alcohol pad, then remove adhesive backing from Wire Stays. Adhere Wire Stays to hood and route electrical wires through them.



Identify the black, brown and yellow wires. Determine location to route these three wires along the driver side fender area so that it will be secure and does not interfere with any existing equipment.

Locate the single green wire. Route along firewall and along the passenger side fender area and up to the passenger side light assembly, so that it will be secure and does not interfere with any existing equipment.

**NOTE:** Not all wire stays may be required. Example of Wire Stays placement locations



22

## Installation Steps **NOTE:** Actual application may vary slightly from illustrations.

Consult vehicle owners manual to access headlight / turnsignal plugs. Unplug headlight /turnsignal wiring harness. Use testlight to identify and confirm correct wires.

**NOTE:** To identify parking lights, make sure to turn on parking lights **ONLY**.

To identify turn signals, engage hazards/emergency flashers.

Once wires are identified, note the following:

Black wire = ground  
Brown wire = parking light  
Yellow wire = left turn signal (driver side)  
Green wire = right turn signal (passenger side)

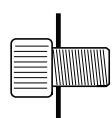
23



**NOTE:** Connect the black wire to vehicle plug ground wire. Connect brown wire to vehicle marker/parking light wire. Connect yellow wire to left (driver side) turn signal wire. Connect green wire to right (passenger side) turn signal wire.

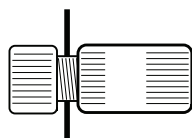
To connect wires: (1) Slide slotted cap over vehicle wire, (2) Screw main connector body into slotted cap (pin side screws into slotted cap), (3) Strip approximately 1/4" from each LightShield wire, (4) Insert electrical wire into open cap. Tighten onto opposite end of main connector body, confirm connection by gently tugging on LightShield wire.

Repeat steps for remaining wires.



Vehicle Wire

1



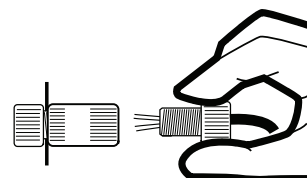
Tighten Main Connector Body

2



LightShield wire

3



Insert and Tighten

4

24

## Care and Cleaning

- Wash only with mild soap & dry with a clean cloth.



The material that your product is made from can be recycled. Please also consider recycling the packaging that your product came in.



## Congratulations!

You have purchased one of the many quality Husky® branded products. We take the utmost pride in our products and want you to enjoy years of satisfaction from your investment. We have made every effort to ensure that your product is top quality in terms of fit, durability, finish and ease of installation.



1-800-344-8759 • Visit us at [huskyliners.com](http://huskyliners.com)

© 2023 Husky Liners, Inc. All rights reserved.

Husky® and the Husky® logo are trademarks of Husky Liners, Inc.