

# Installation Instructions

I - Sheet Number HUSKYASK15 Rev.B



**For proper installation and best possible fit, please read all instructions BEFORE you begin.  
For technical assistance or to obtain missing parts, please call Customer Relations at 1-800-344-8759.**

## Important Safety Information



- CAUTION - Before driving, ensure that the Aeroskin is properly secured to vehicle.
- Do not use automatic "brush-style" car washes.
- Do not use cleaning solvents of any kind.
- Periodically check all components for tightness.

## Contents

**NOTE:** Actual product may vary from illustration.



Aeroskin



Large Alcohol Pad x2



Large Surface Prep Pad x1

## Tools Required



Car Wash Supplies



Clean Towel



Masking Tape

## Preparation Before Painting / Installation

- A trial fit is recommended to ensure proper positioning and fit.
- Check fit of parts before painting as we will not accept the return of modified or painted parts.
- Wash and dry your vehicle to remove any debris and/or dirt from the installation area.



60°F+  
16°C+



**NOTE: Ensure vehicle surface and part are at or above 60°F / 16°C prior to installation.**

**Hood must be clean and dry before installation**

A clean and smooth work surface is recommended to ensure the Aeroskin is not scratched or damaged prior to installation.

Visit <https://youtu.be/IJniT958S6U> for installation video.

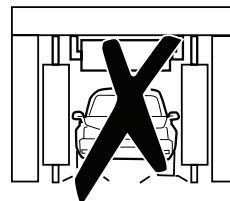


**NOTE: READ INSTRUCTIONS COMPLETELY BEFORE ATTEMPTING INSTALLATION.**

Do not drive vehicle for 24 hours after installation.



Do not wash vehicle for 72 hours after installation.

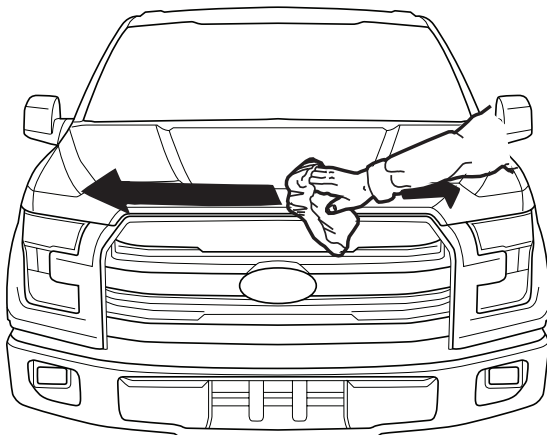


# Installation Steps

**NOTE:** Actual application may vary slightly from illustrations.

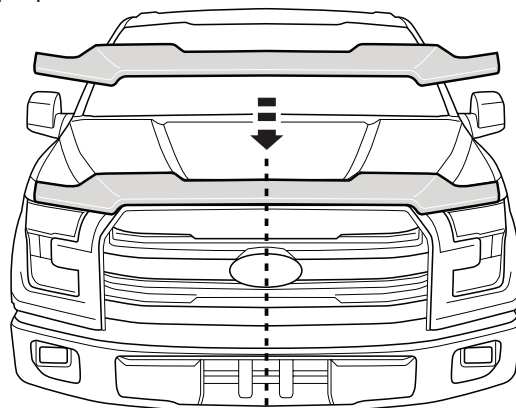


Prior to installation, wash the hood of vehicle and dry with a clean cloth.

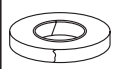


1

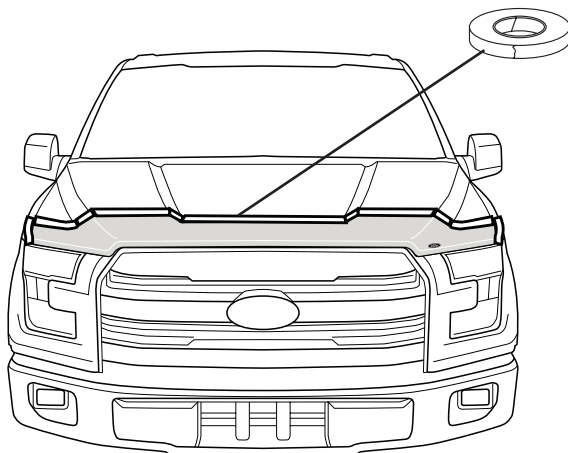
**Note the locations where tape on the back of Aeroskin will contact hood surface.** Center Aeroskin on leading edge of hood surface and test fit. Use character lines in hood surface to assist with proper placement.



2



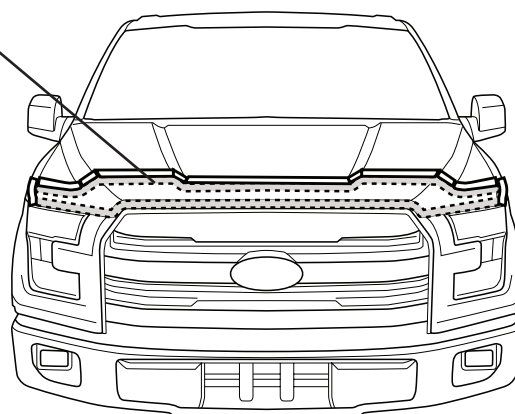
Lay Aeroskin in place on vehicle and mask off the surrounding areas with tape.



3



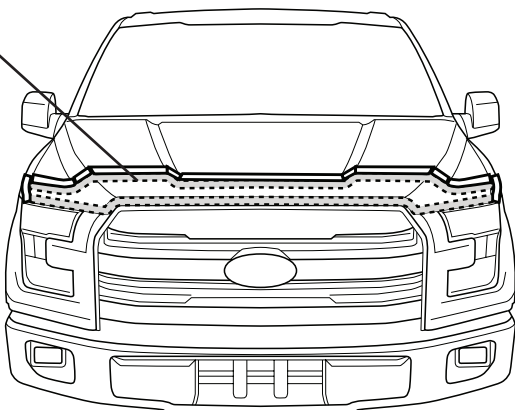
Remove Aeroskin. Use alcohol pads to clean areas where the tape on the back of the Aeroskin will contact hood surface. Let dry.



4

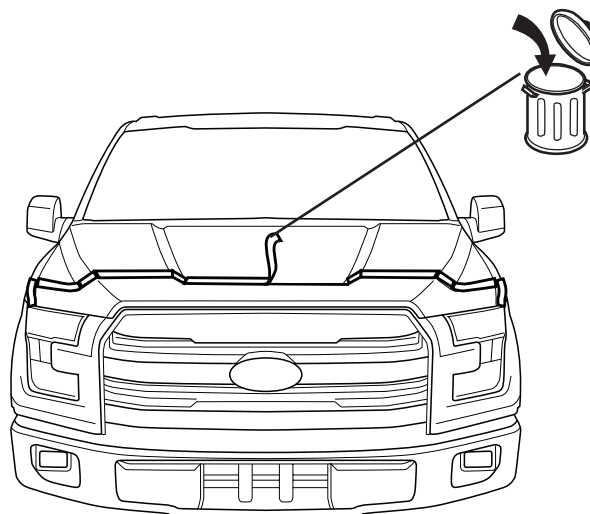


Apply surface prep to painted surface where Aeroskin will attach. Let dry.



5

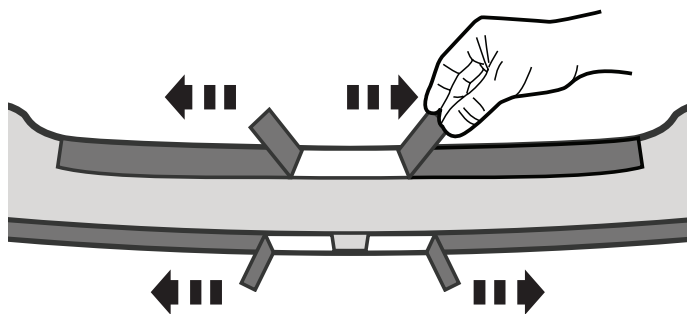
Remove and discard masking tape.



6

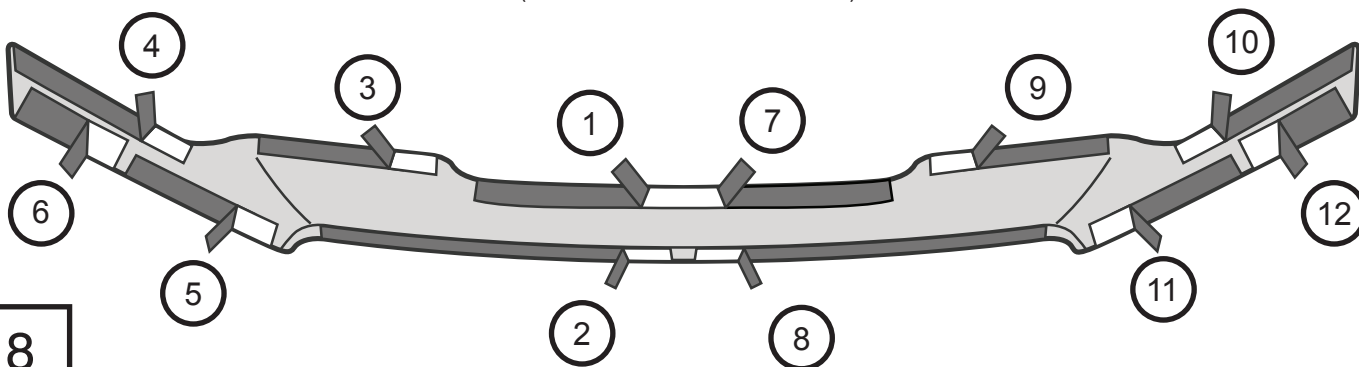
# Installation Steps **NOTE:** Actual application may vary slightly from illustrations.

Expose 3" (8 cm) of tape liner from each section on back side of the Aeroskin. Fold the tape liners back far enough to ensure you can grasp them firmly.  
(Back side of Aeroskin is shown.)



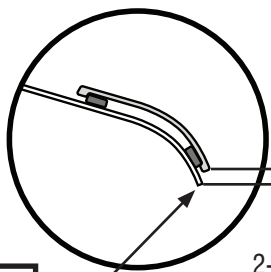
7

Ensure tape is accessible above and below Aeroskin in all (12) locations indicated below.  
(Back side of Aeroskin is shown.)



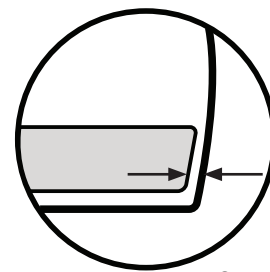
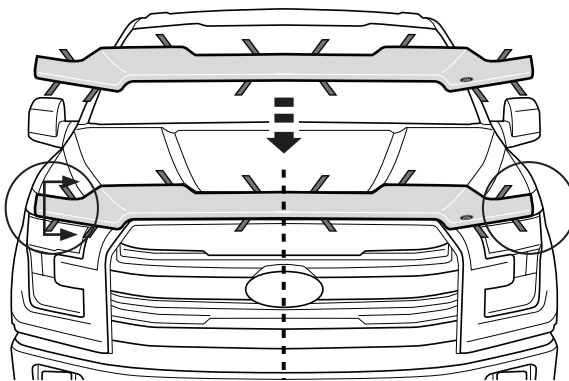
8

Carefully place the Aeroskin back in position, centered on the hood surface. Once again, use the character lines to position the Aeroskin properly.



2-3 mm

Front edge of hood

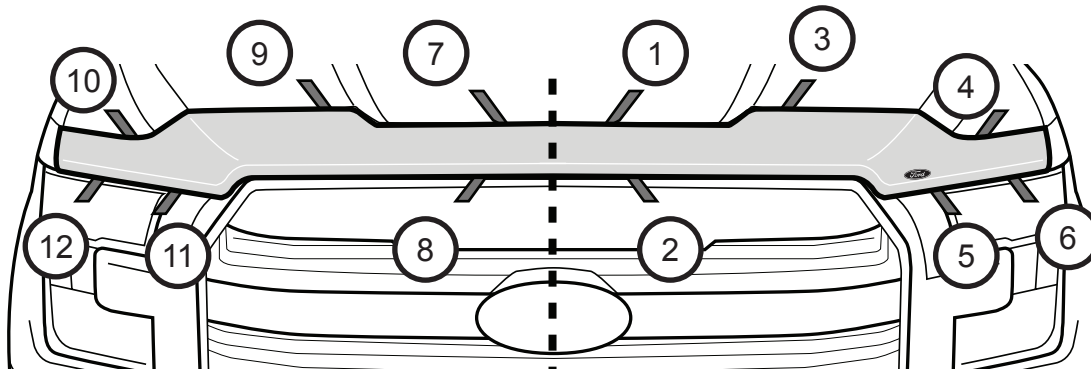


0-2 mm

No Overhang

9

Note the numbered positions of the tape.

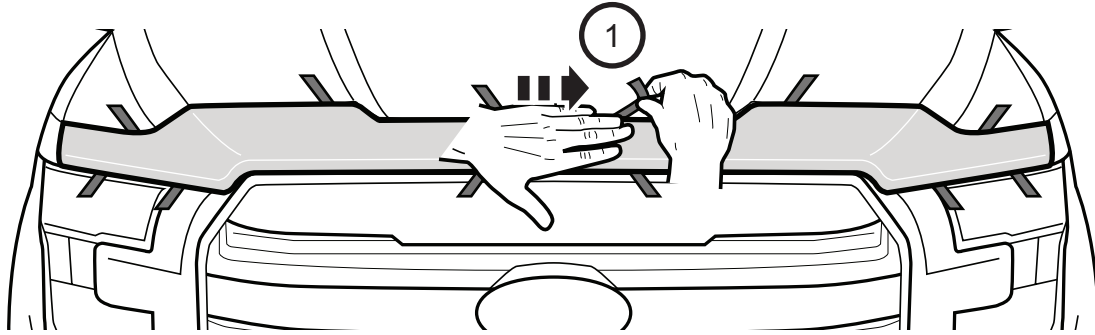


10

**Installation Steps** NOTE: Actual application may vary slightly from illustrations.

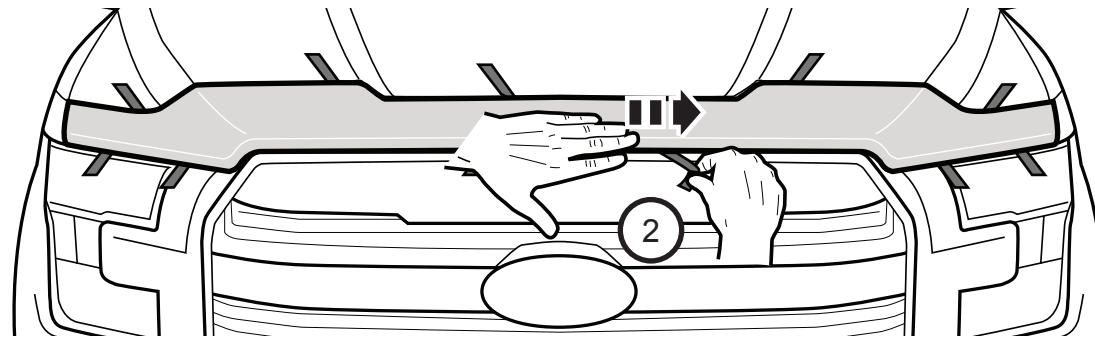
Begin removing the tape liner starting in position (1) above. Grasp the exposed portion of tape liner (See Step 4 and 5 above), and pull gently with one hand, while applying light, even pressure to the Aeroskin with the opposite hand. NOTE: You must apply light, even pressure in the direction indicated by the arrow below in order for proper adhesion to hood.

11



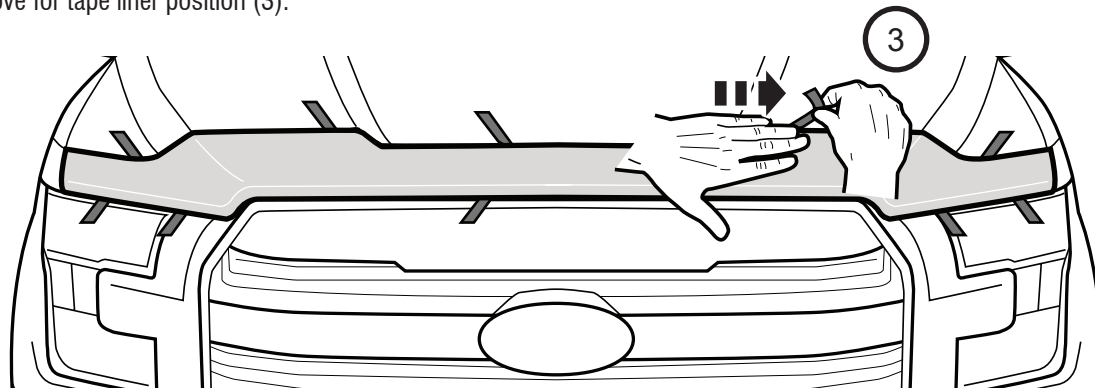
Repeat as above for tape liner position (2).

12



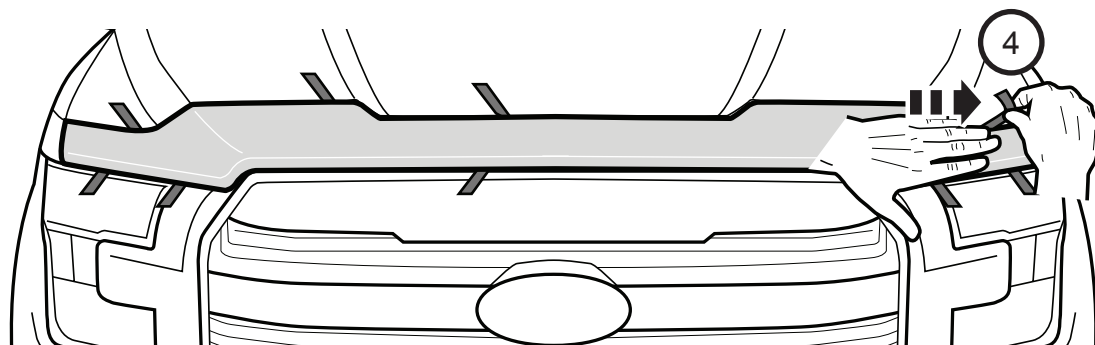
Repeat as above for tape liner position (3).

13



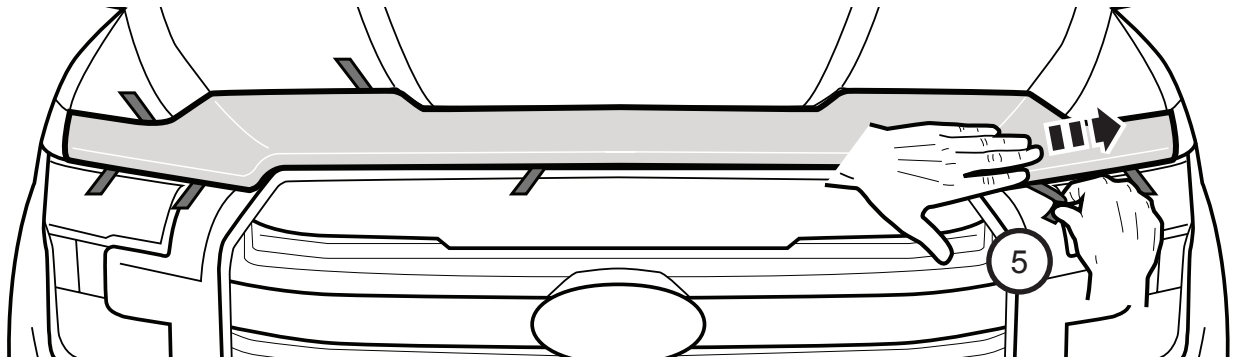
Repeat as above for tape liner position (4).

14



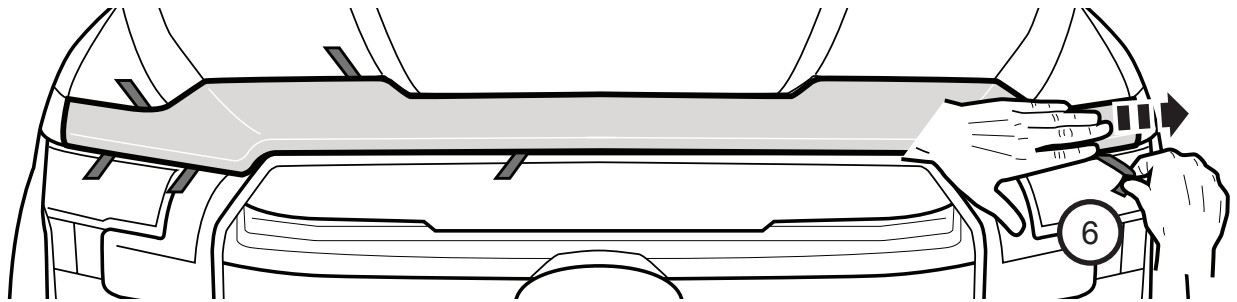
**Installation Steps** NOTE: Actual application may vary slightly from illustrations.

Repeat as above for tape liner position (5).



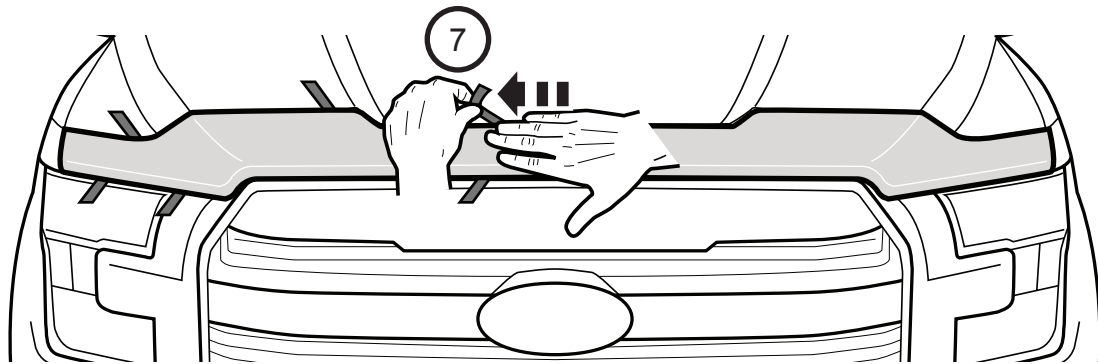
15

Repeat as above for tape liner position (6).



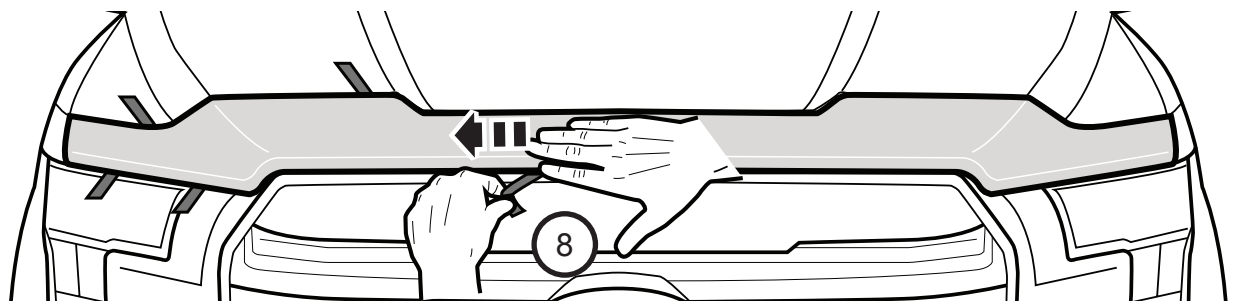
16

Repeat as above for tape liner position (7).



17

Repeat as above for tape liner position (8).

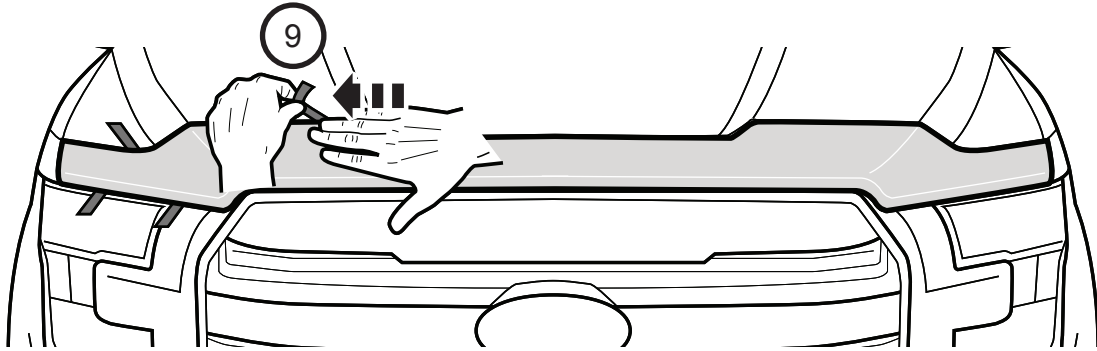


18

**Installation Steps** NOTE: Actual application may vary slightly from illustrations.

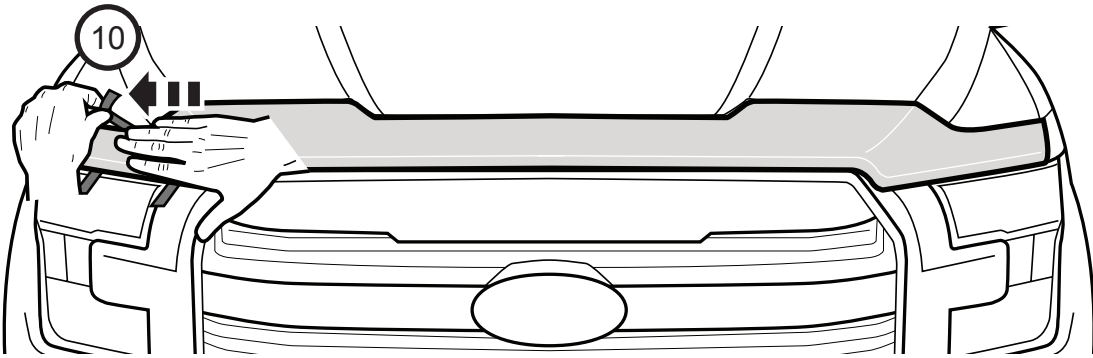
Repeat as above for tape liner position (9).

19



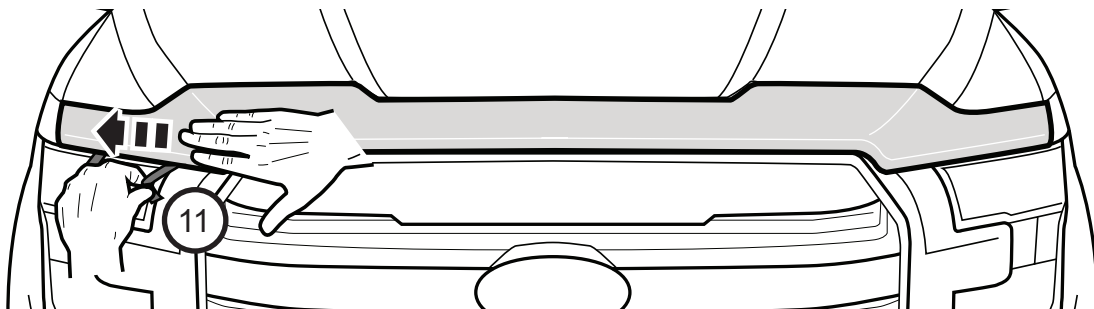
Repeat as above for tape liner position (10).

20



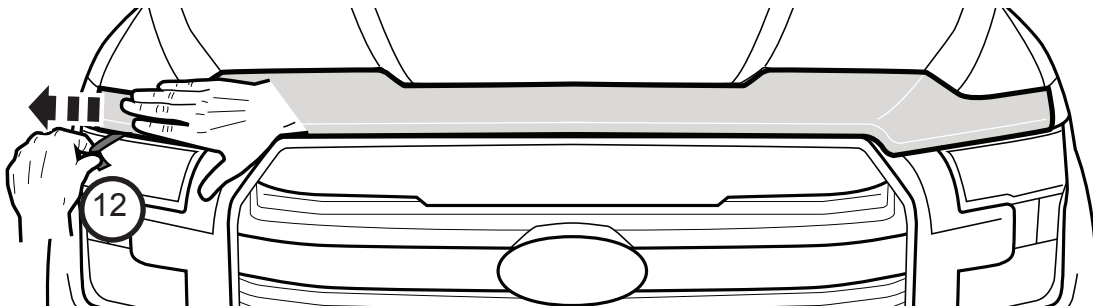
Repeat as above for tape liner position (11).

21



Repeat as above for tape liner position (12).

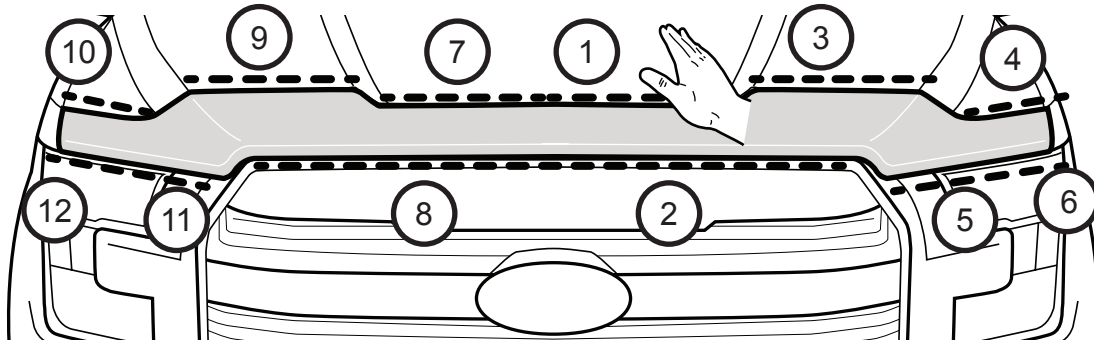
22



## Installation Steps

**NOTE:** Actual application may vary slightly from illustrations.

Beginning with position (1) and ending with position (12), use the palm of your hand to press down firmly (approximately 15 lbs of pressure) along all the taped edges to ensure proper adhesion.



23

## Care and Cleaning

- Wash only with mild soap & dry with a clean cloth.



The material that your product is made from can be recycled. Please also consider recycling the packaging that your product came in.



## Congratulations!

You have purchased one of the many quality Husky® branded products. We take the utmost pride in our products and want you to enjoy years of satisfaction from your investment. We have made every effort to ensure that your product is top quality in terms of fit, durability, finish and ease of installation.

# HUSKY®

1-800-344-8759 • Visit us at [huskyliners.com](http://huskyliners.com)

© 2023 Husky Liners, Inc. All rights reserved.

Husky® and the Husky® logo are trademarks of Husky Liners, Inc.