

Installation Instructions

I - Sheet Number HUSKYASK06 Rev.-



Aerocab Pro Marker Light™

**For proper installation and best possible fit, please read all instructions BEFORE you begin.
For technical assistance or to obtain missing parts, please call Customer Relations at 1-800-344-8759.**

Important Safety Information



- CAUTION - Before driving, ensure that the Aerocab is properly secured to vehicle.
- Do not use automatic "brush-style" car washes.
- Do not use cleaning solvents of any kind.
- Periodically check all components for tightness.

Contents

NOTE: Actual product may vary from illustration. Some applications will not require the use of all mounting hardware.



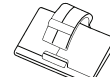
Aerocab



Alcohol Pad x6



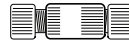
Surface Prep x2



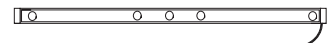
Wire Stay x8



Rubber Trim x1



Wire Connector x4



Light strip x1

Tools Required



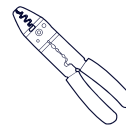
Car Wash Supplies



Clean Towel



Masking Tape



Wire Stripping Tool



Grease Pencil

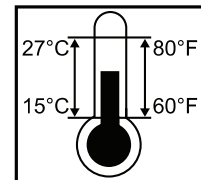


Test Light

Preparation Before Painting / Installation

- A trial fit is recommended to ensure proper positioning and fit.
- Check fit of parts before painting as we will not accept the return of modified or painted parts.
- Wash and dry your vehicle to remove any debris and/or dirt from the installation area.

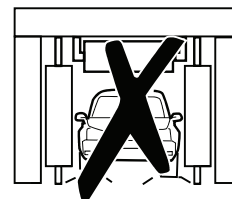
NOTE: Ensure vehicle surface and part are between 60°F and 80°F (15°C and 27°C) prior to installation.



Do not drive vehicle for 24 hours after installation.



Do not wash vehicle for 72 hours after installation.



Installation Steps

NOTE: Actual application may vary slightly from illustrations.

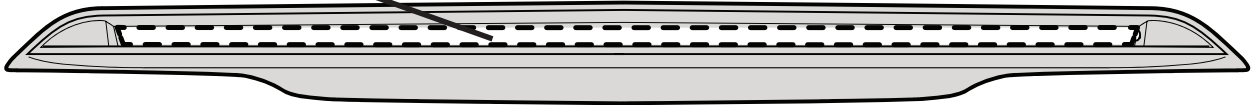
First, clean the recessed area of the Aerocab with an alcohol pad and allow to dry.
Next, apply one coat of surface prep to the same area.

Alcohol Pad

SURFACE PREP

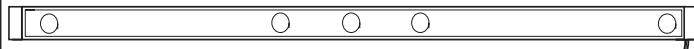
Alcohol Pad

SURFACE PREP



1

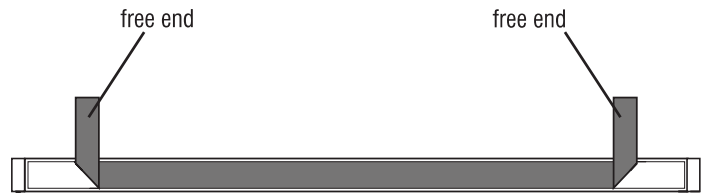
Remove packaging from light strip.



electrical wire

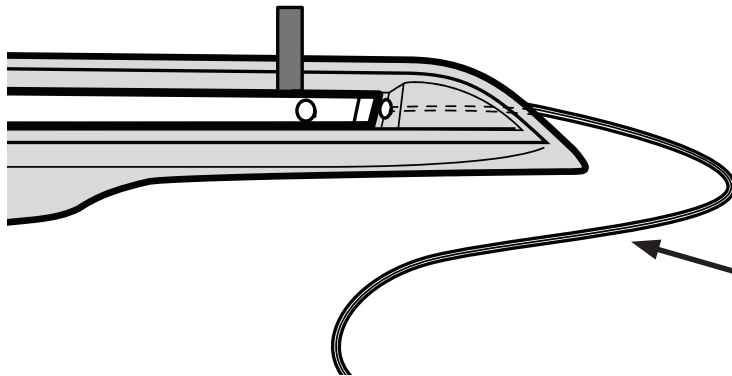
2

Peel back 2" of tape liner from each end of the backside of the light strip. Fold the tape tabs over so that the free ends are accessible.



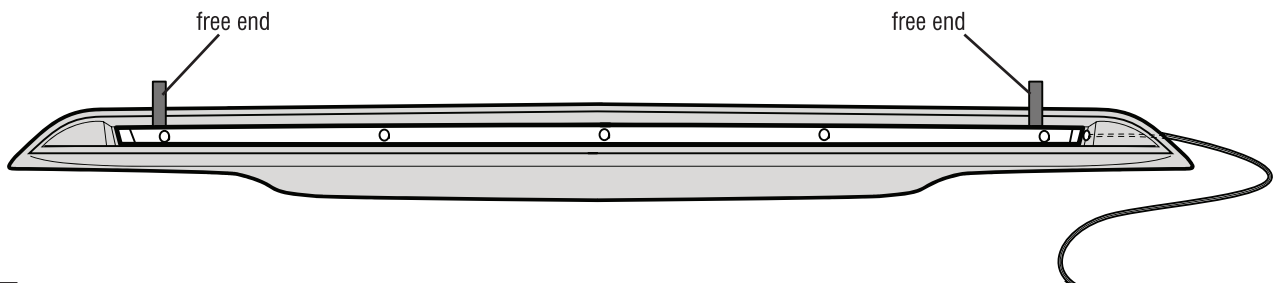
3

Thread electrical wire through hole in the corner of the Aerocab and position light strip along recessed area of Aerocab.



4

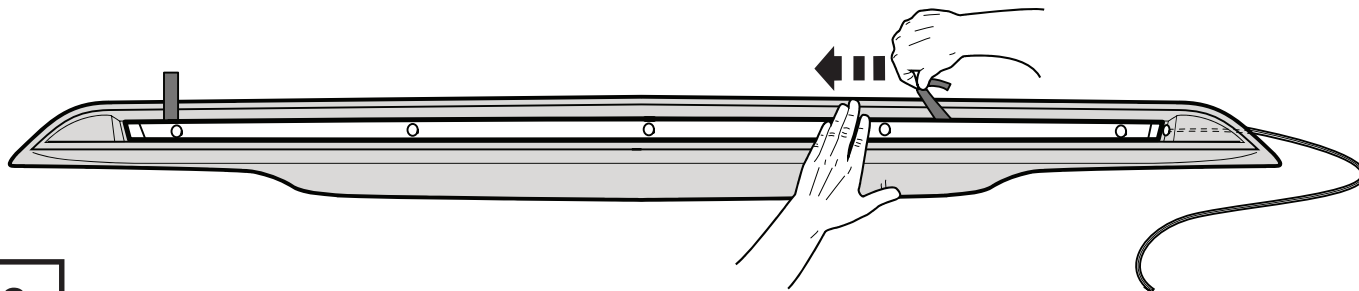
Carefully align the light strip in place along the recessed area of the Aerocab. Once positioned, press down on the exposed area of tape to tack the light strip in place. Ensure that free ends of tape tabs are accessible.



5

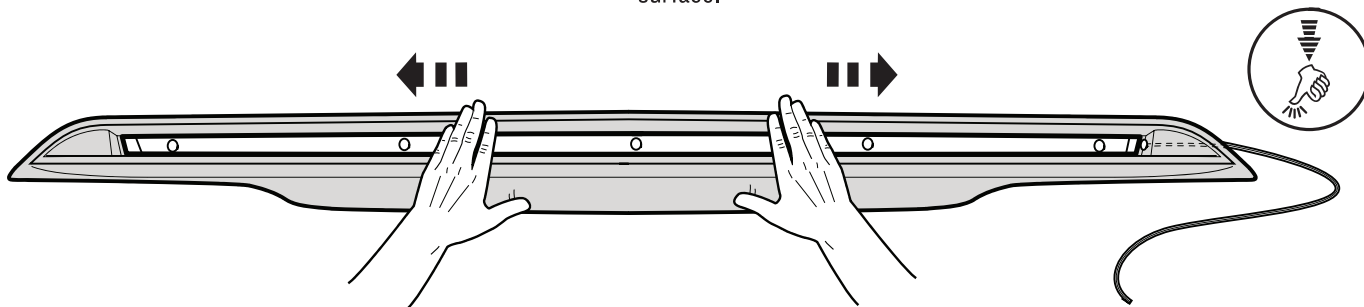
Installation Steps **NOTE:** Actual application may vary slightly from illustrations.

Begin removing remaining tape liner by grasping the free end and pulling gently in 6" (15 cm) sections, while applying even pressure with hand to light strip.



6

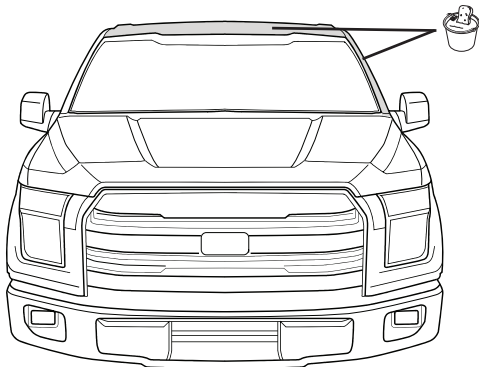
With tape liner completely removed, apply firm pressure along entire length of light strip to ensure adhesion of tape to Aerocab surface.



7

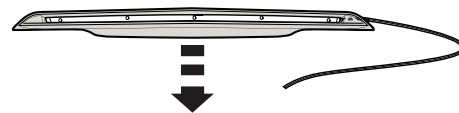


Prior to installation of Aerocab, wash the roof and A-pillar of vehicle and dry with a clean cloth.



8

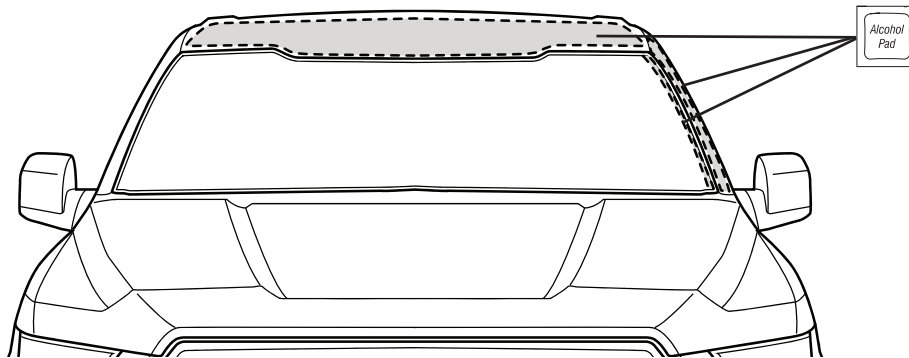
Test fit Aerocab on vehicle. Center part on roof.
PLEASE NOTE: There is a cutout on the product for the roof antenna. There are multiple antenna options from the OE and the cutout may not always be where your antenna is located. This will not affect the functionality or aesthetics from ground-level.



9



Remove Aerocab and use the alcohol pads to clean the entire installation area of the roof, A-pillar, and edge of windshield.



10

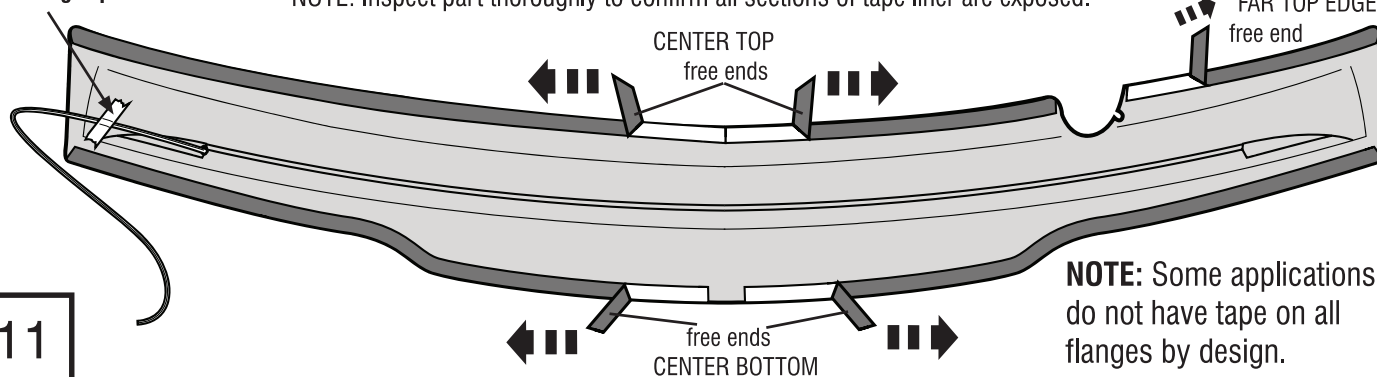
Installation Steps

NOTE: Actual application may vary slightly from illustrations.

Expose 2" (5 cm) of tape liner from each section of Aerocab. Ensure you can access the free ends of tape liner. Apply a piece of masking tape to hold electrical wire in place. Be sure to route wire in between tape segments.

NOTE: Inspect part thoroughly to confirm all sections of tape liner are exposed.

Masking Tape

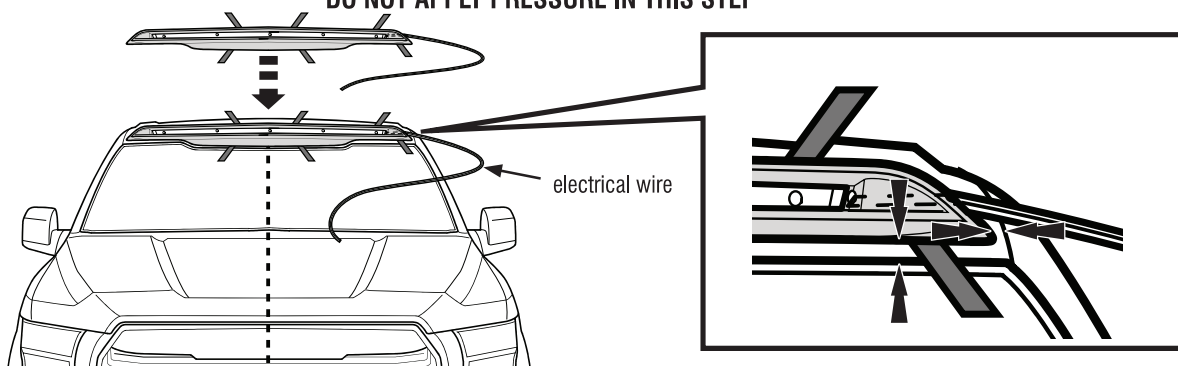


11

NOTE: Some applications do not have tape on all flanges by design.

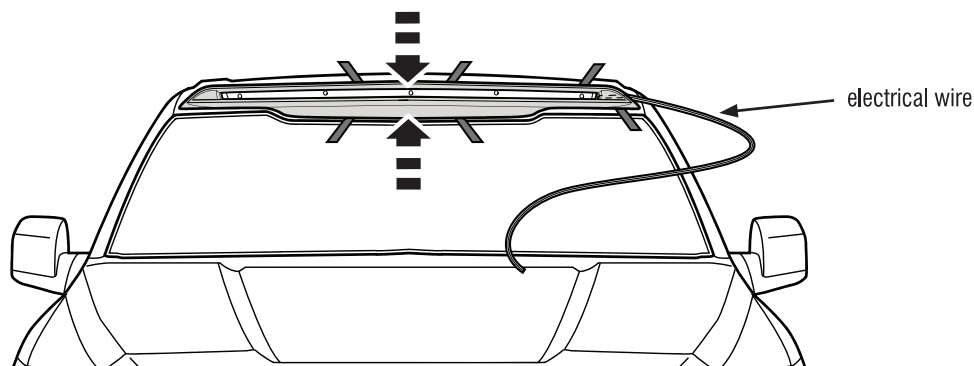
Center the Aerocab on the roof. Part should be positioned about 1/16" (1.5mm) from roof edge on all sides.

DO NOT APPLY PRESSURE IN THIS STEP



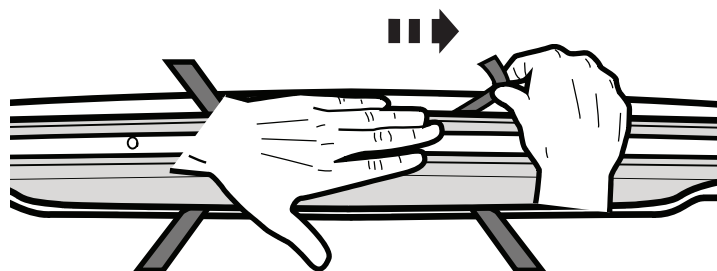
12

Apply **LIGHT PRESSURE** to the exposed tape at **CENTER LOCATIONS ONLY** to tack Aerocab in place.



13

Begin removing remaining tape liner, beginning with the drivers side **CENTER TOP** sections. Grasping the free end, pull tape gently in 6" (15 cm) sections, while applying even pressure with hand to Aerocab. Repeat process for passenger side.



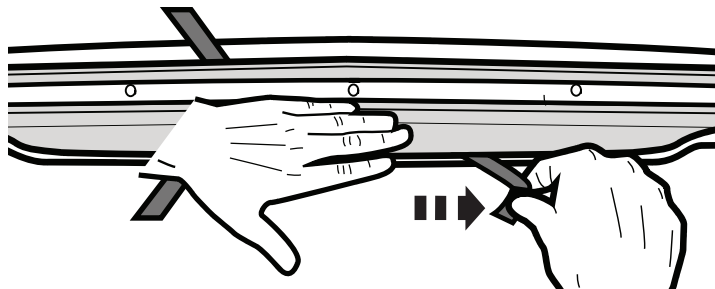
CAUTION: You must apply even pressure **from center section out** to each end of part, in order for proper adhesion to roof.

14

NOTE: Do not apply pressure closer than 6" (15 cm) to tape liner as it could accidentally break.

Installation Steps NOTE: Actual application may vary slightly from illustrations.

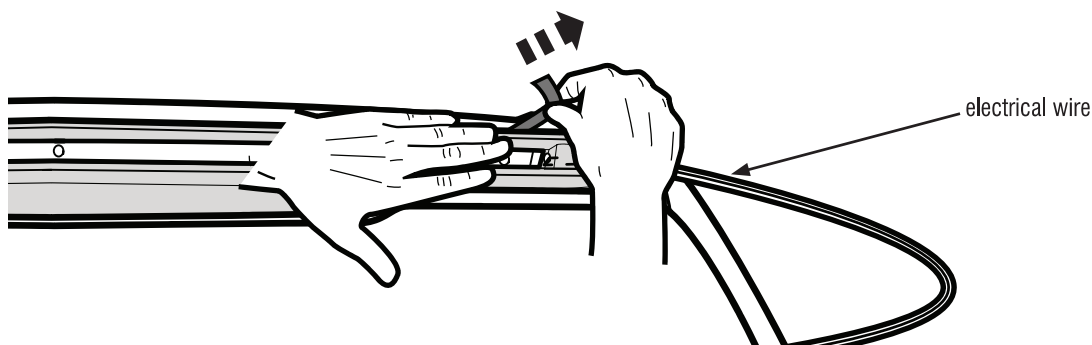
Using the same process, remove tape liner from the driver side CENTER BOTTOM of Aerocab. Repeat for passenger side.



CAUTION: You must apply even pressure **from center section out** to each end of part, in order for proper adhesion to roof.

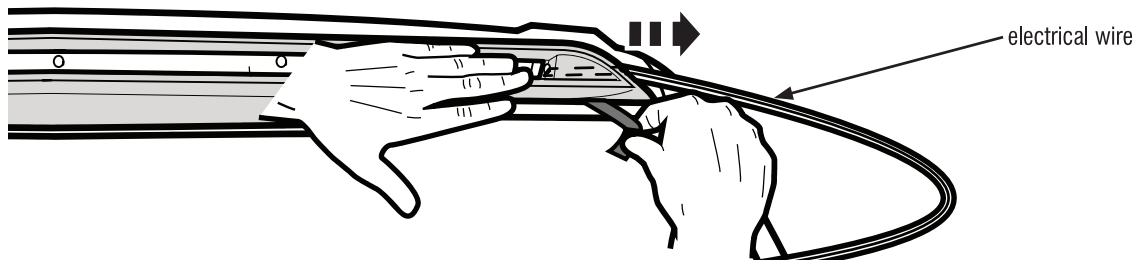
15

Again using the same process, remove tape liners from the driver side FAR TOP EDGE of Aerocab.



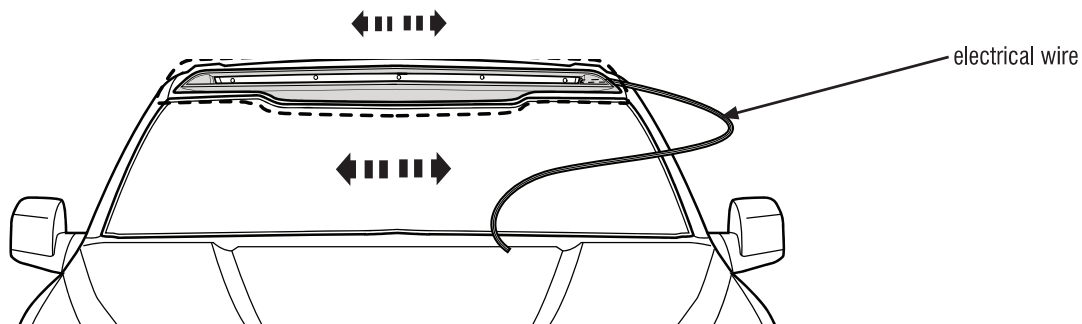
16

Again using the same process, remove tape liners from the driver side FAR BOTTOM EDGE of Aerocab.



17

Press firmly along all edges of Aerocab to ensure adhesion of tape to roof surface.



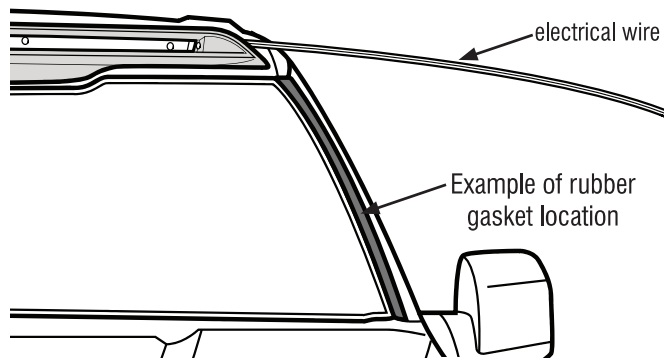
18

Installation Steps

NOTE: Actual application may vary slightly from illustrations.

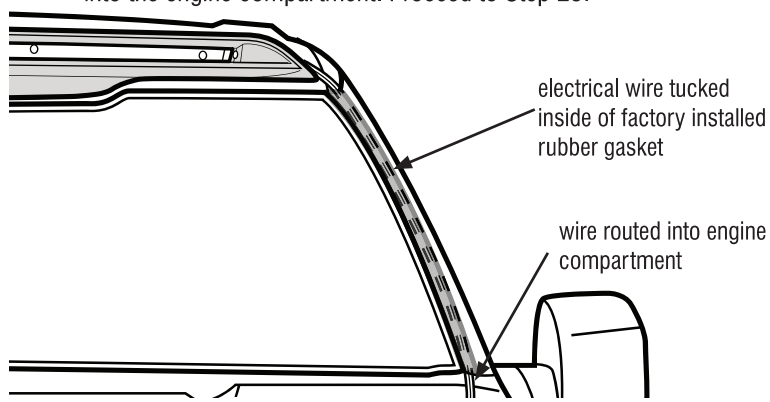
Before proceeding, carefully inspect the A-pillar of vehicle and note if your vehicle is equipped with a rubber gasket from the factory that follows the edge of the windshield.

19



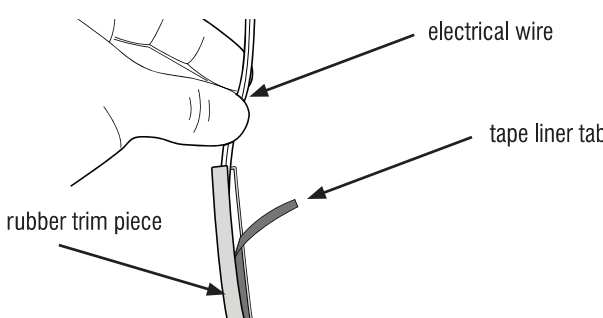
If your vehicle is factory equipped with a rubber gasket on the A-pillar, you may choose to tuck the electrical wire inside of it and route into the engine compartment. Proceed to Step 25.

20



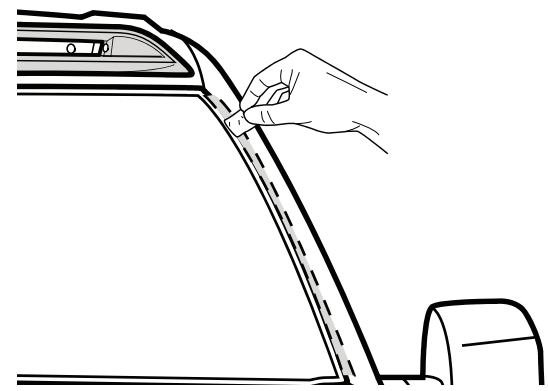
If your vehicle is **not** factory equipped with a rubber gasket on the A-pillar, encase electrical wire inside of rubber trim piece. Peel back 2" of tape liner from edge of rubber trim piece to expose adhesive.

21



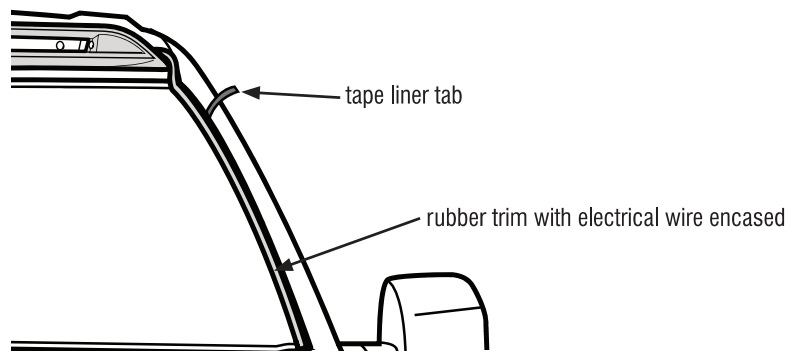
Apply one coat of surface prep to the edge of the A-pillar.

22



Route electrical wire (encased in rubber trim) along A-pillar towards hood. Place the rubber trim piece inside the groove between the glass and the A-pillar. Ensure the tape liner tab is accessible.

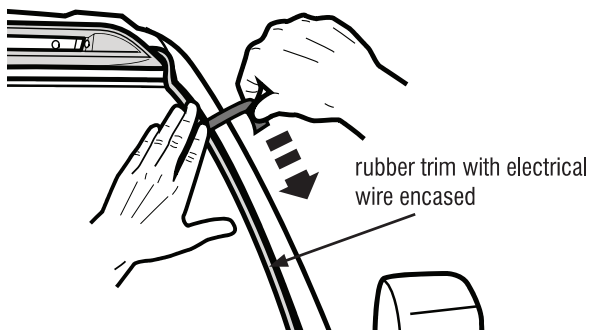
23



Installation Steps

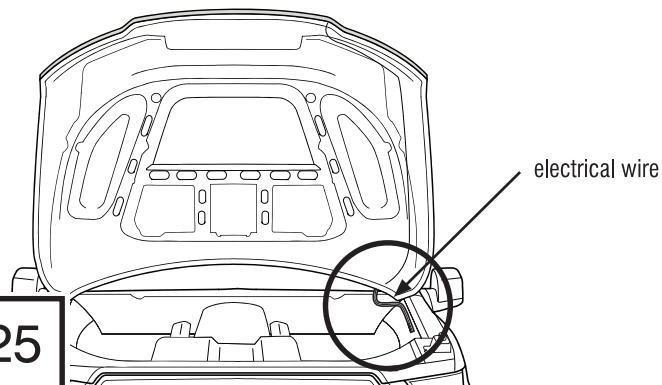
NOTE: Actual application may vary slightly from illustrations.

Begin removing remaining tape liner by grasping the free end and pulling tape liner gently in 6" (15 cm) sections, while applying even pressure with opposite hand to the rubber trim to ensure it is secured in place.



24

Raise hood, and route electrical wire along inner fender. You may remove any excess rubber trim if desired.



25

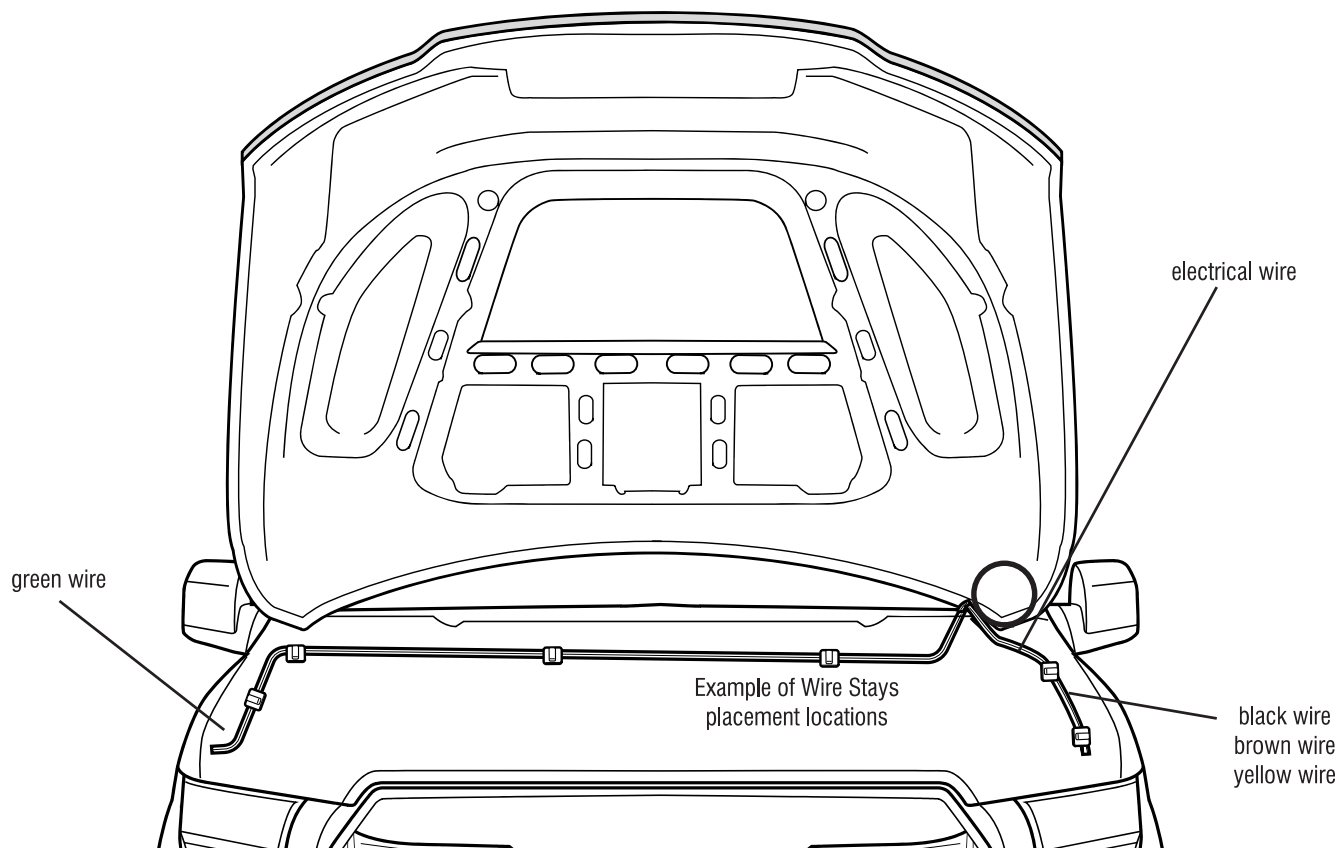


Begin by routing all 4 wires along drivers side fender. Wire Stays are used to hold the electrical wires in position. Clean mounting locations with an alcohol pad, then remove adhesive backing from Wire Stays. Adhere Wire Stays to firewall and fender and route electrical wires through them.



Identify the black, brown and yellow wires. Determine location to route these three wires along the driver side fender area so that it will be secure and does not interfere with any existing equipment.

Locate the single green wire. Route along firewall and along the passenger side fender area and up to the passenger side light assembly, so that it will be secure and does not interfere with any existing equipment.



26

Installation Steps **NOTE:** Actual application may vary slightly from illustrations.

Consult vehicle owners manual to access headlight / turnsignal plugs. Unplug headlight /turnsignal wiring harness. Use testlight to identify and confirm correct wires.

NOTE: To identify parking lights, make sure to turn on parking lights ONLY.

To identify turn signals, engage hazards/emergency flashers.

Once wires are identified, note the following:

Black wire = ground
Brown wire = parking light
Yellow wire = left turn signal (driver side)
Green wire = right turn signal (passenger side)

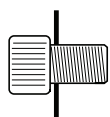
27



NOTE: Connect the black wire to vehicle plug ground wire. Connect brown wire to vehicle marker/parking light wire. Connect yellow wire to left (driver side) turn signal wire. Connect green wire to right (passenger side) turn signal wire.

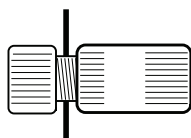
To connect wires: (1) Slide slotted cap over vehicle wire, (2) Screw main connector body into slotted cap (pin side screws into slotted cap), (3) Strip approximately 1/4" from each LightShield wire, (4) Insert electrical wire into open cap. Tighten onto opposite end of main connector body, confirm connection by gently tugging on LightShield wire.

Repeat steps for remaining wires.



Vehicle Wire

1



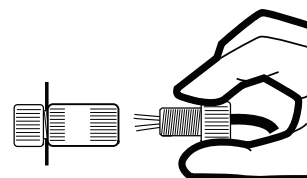
Tighten Main Connector Body

2



LightShield wire

3



Insert and Tighten

4

28

Care and Cleaning

- Wash only with mild soap & dry with a clean cloth.



The material that your product is made from can be recycled. Please also consider recycling the packaging that your product came in.



Congratulations!

You have purchased one of the many quality Husky® branded products. We take the utmost pride in our products and want you to enjoy years of satisfaction from your investment. We have made every effort to ensure that your product is top quality in terms of fit, durability, finish and ease of installation.



1-800-344-8759 • Visit us at huskyliners.com

© 2023 Husky Liners, Inc. All rights reserved.

Husky® and the Husky® logo are trademarks of Husky Liners, Inc.