

Installation Instructions

I - Sheet Number WIN04 Rev.D



Ventvisor® Deflector

**For proper installation and best possible fit, please read all instructions BEFORE you begin.
For technical assistance or to obtain missing parts, please call Customer Relations at 1-800-344-8759.**

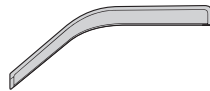
Important Safety Information



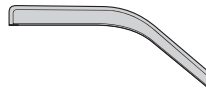
- CAUTION - Before driving, ensure that the vent visors are properly secured to vehicle.
- Do not use automatic “brush-style” car washes.
- Do not use cleaning solvents of any kind.
- Periodically check all components for tightness.

Contents - 2 Piece Set

NOTE: Actual product may vary from illustration.



Front Driver
Side Visor

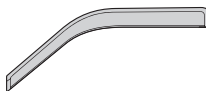


Front Passenger
Side Visor

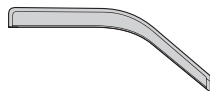


Alcohol
Pad x2

Contents - 4 Piece Set



Front Driver
Side Visor



Front Passenger
Side Visor



Rear Driver
Side Visor



Rear Passenger
Side Visor



Alcohol
Pad x4

Tools Required



Car Wash Supplies



Clean Towel

Preparation Before Painting / Installation

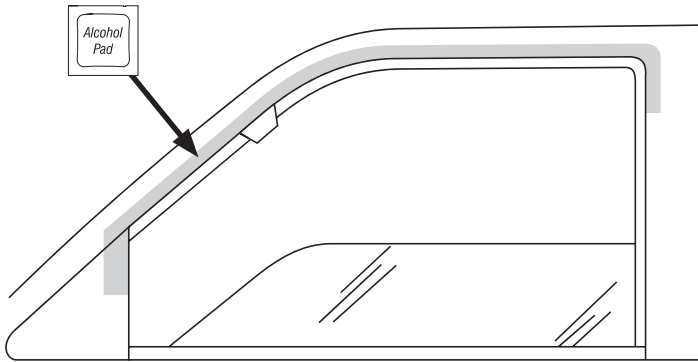
- A trial fit is recommended to ensure proper positioning and fit.
- Check fit of parts before painting as we will not accept the return of modified or painted parts.
- Wash your vehicle to remove any debris and/or dirt.
- Dry with a clean towel.

Installation Steps

NOTE: Actual application may vary slightly from illustrations.

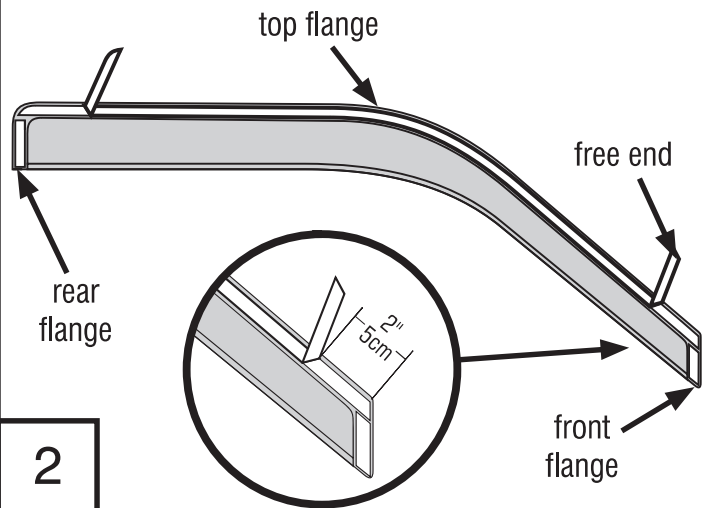
Alcohol Pad

Clean the door's painted surface & mirror cap where the visor will attach.



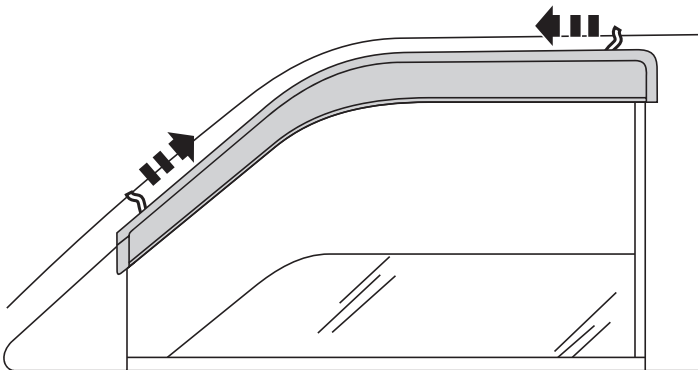
1

Remove the tape liner from the front & rear flanges. Peel back 2" of tape liner from each end of top flange.



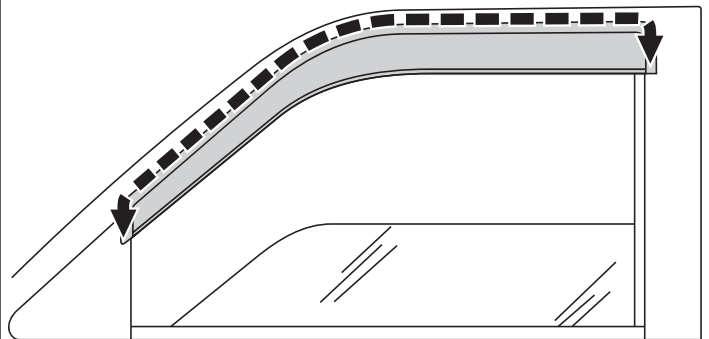
2

Attach front flange to mirror cap. Attach the top and rear flanges to the door's painted surface. Remove tape liner by pulling on free ends.



3

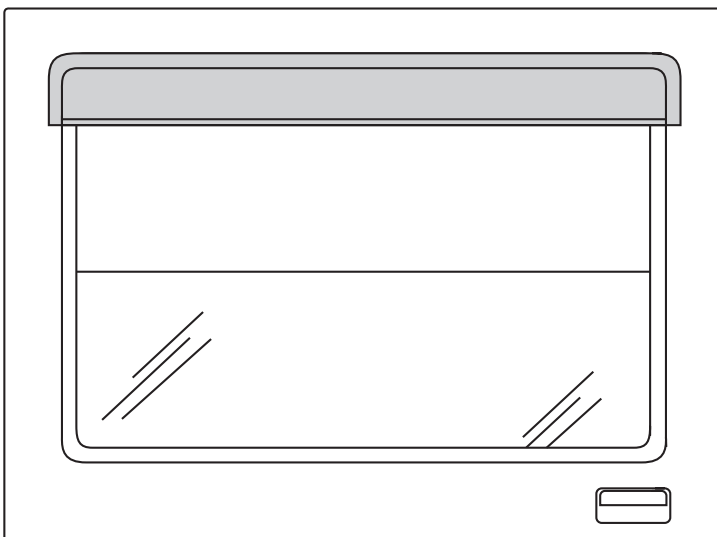
Apply pressure to top and rear tape flanges to secure.



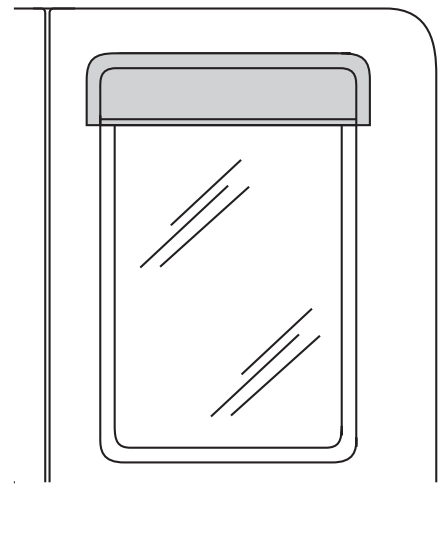
4

4 Piece Set

The rear visor attaches with same preparation methods as the front visor. Attach visor to the vehicle's painted surface.



OR



5

Care and Cleaning

- Wash only with mild soap & dry with a clean cloth.



The material that your product is made from can be recycled. Please also consider recycling the packaging that your product came in.



Congratulations!

You have purchased one of the many quality Husky® branded products. We take the utmost pride in our products and want you to enjoy years of satisfaction from your investment. We have made every effort to ensure that your product is top quality in terms of fit, durability, finish and ease of installation.



1-800-344-8759 • Visit us at huskyliners.com

© 2023 Husky Liners, Inc. All rights reserved.

Husky® and the Husky® logo are trademarks of Husky Liners, Inc.