



Ventvisor® Deflector

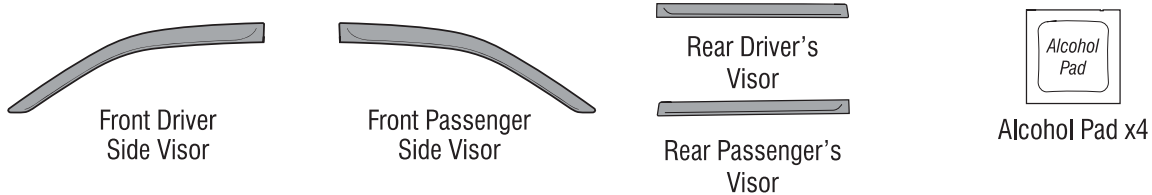
For proper installation and best possible fit, please read all instructions BEFORE you begin. For technical assistance or to obtain missing parts, please call Customer Relations at 1-800-344-8759.

Important Safety Information

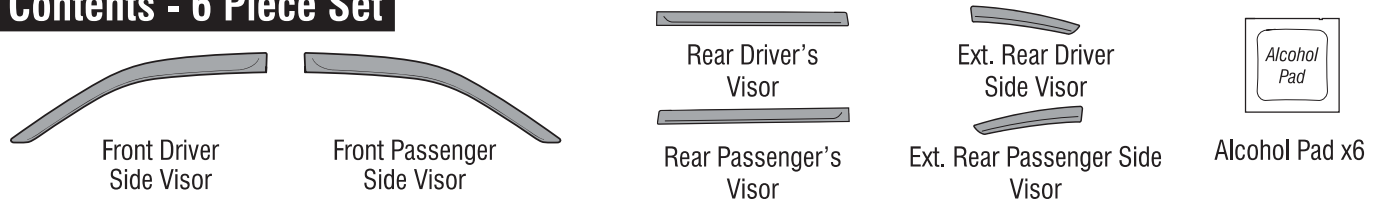


- CAUTION - Before driving, ensure that the vent visor is properly secured to vehicle.
- Do not use automatic “brush-style” car washes.
- Do not use cleaning solvents of any kind.
- Periodically check all components for tightness.

Contents - 4 Piece Set **NOTE:** Actual product may vary from illustration.



Contents - 6 Piece Set



Tools Required



Car Wash Supplies

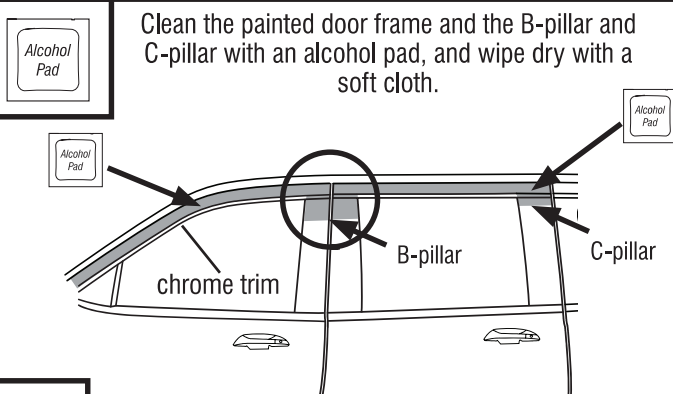


Clean Towel

Preparation Before Painting / Installation

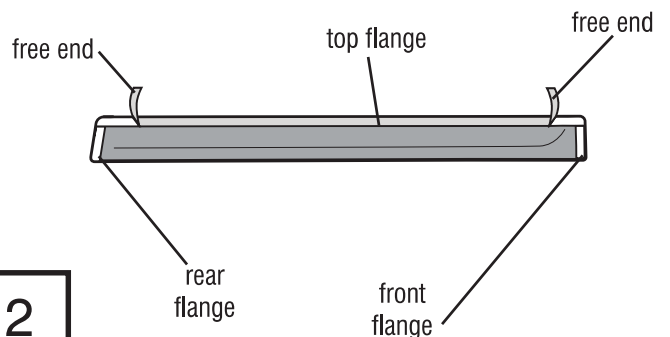
- A trial fit is recommended to ensure proper positioning and fit.
- Check fit of parts before painting as we will not accept the return of modified or painted parts.
- Wash and dry your vehicle to remove any debris and/or dirt from the installation area.

Installation Steps **NOTE:** Actual application may vary slightly from illustrations.



1

Begin with the **rear door** visor. Remove tape liner from each end flange of visor. Peel back 2" (5 cm) of tape liner from each end of the top flange.



2

Installation Steps

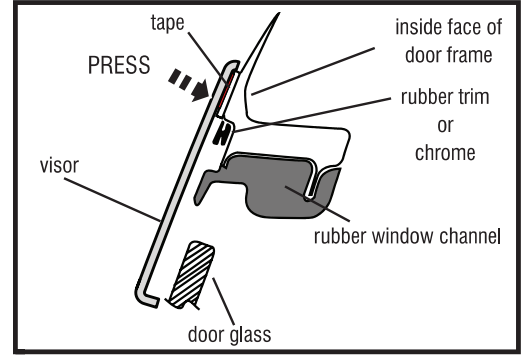
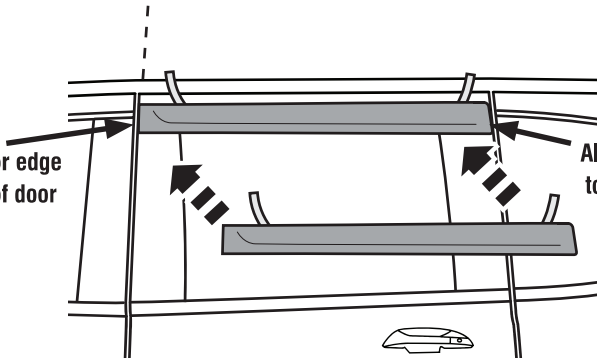
NOTE: Actual application may vary slightly from illustrations.

Align visor to the cleaned surface. The front and rear edges of the visor should align exactly with the front and rear edges of the door. The top flange of the visor will attach to the **PAINTED** surface of the door frame **JUST ABOVE** the chrome or rubber trim of the window frame and the front flange will attach to the B-pillar surface. The rear flange will attach to the C-pillar surface.

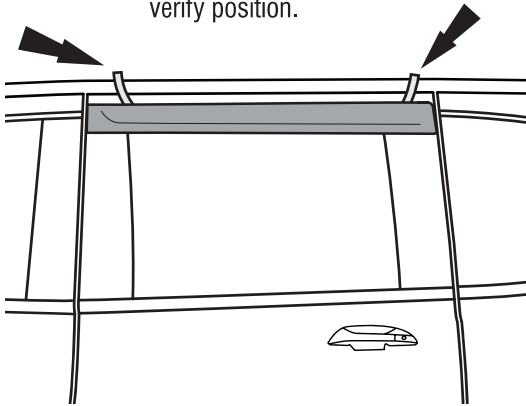
Align visor edge to edge of door

Align visor edge to edge of door

3

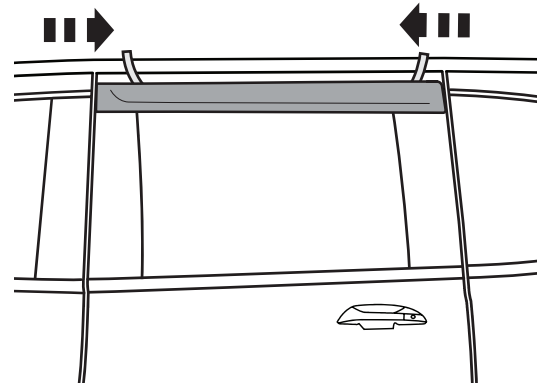


Gently press the exposed areas of tape against the surface and verify position.



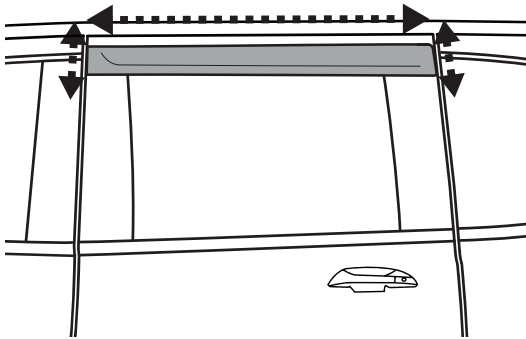
4

With the visor in its final position, remove the remaining tape liner by pulling on free ends.



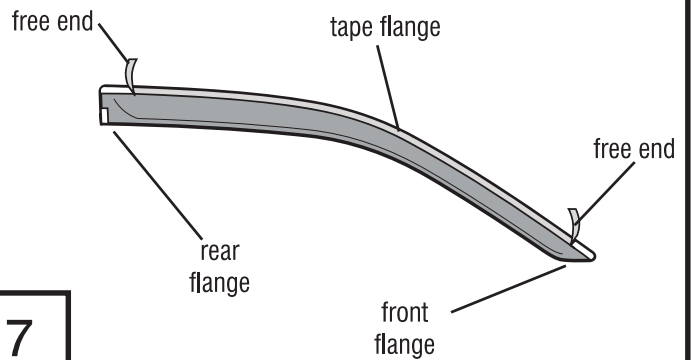
5

Apply strong pressure along all flanges to ensure proper adhesion of tape.



6

Remove tape liner from rear flange of **front visor**. Peel back 2" (5 cm) of tape liner from each end of the tape flange.

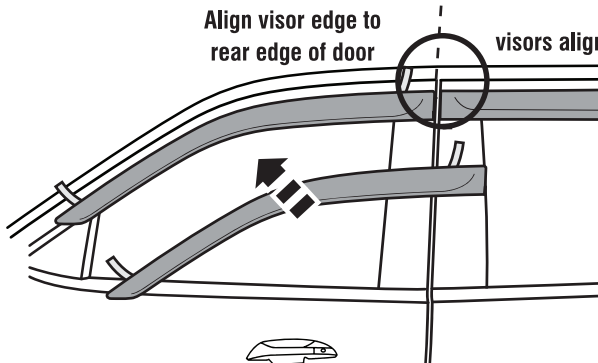


7

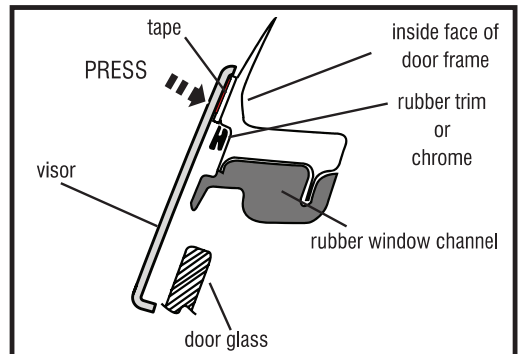
Align visor to the previously cleaned surface AND with previously installed visor. The top flange of the visor will attach to the **PAINTED** surface of the door frame **JUST ABOVE** the chrome or rubber trim of the window frame and the rear flange will attach to the B-pillar surface.

Align visor edge to rear edge of door

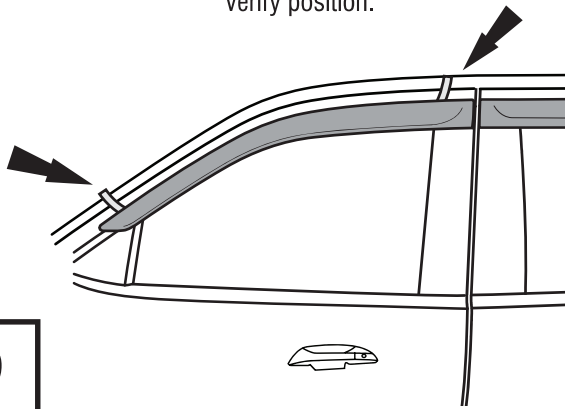
visors align



8

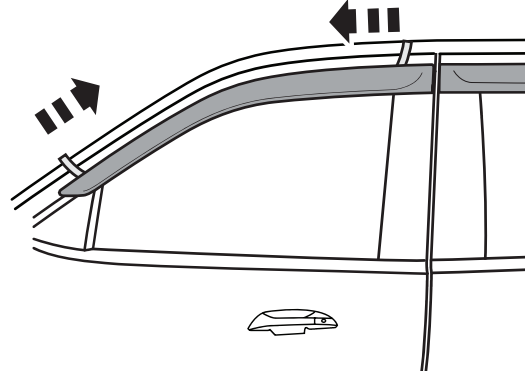


Gently press the exposed areas of tape against the surface and verify position.



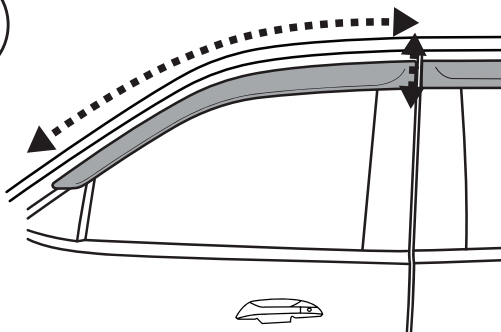
9

With the visor in its final position, remove the remaining tape liner by pulling on free ends.



10

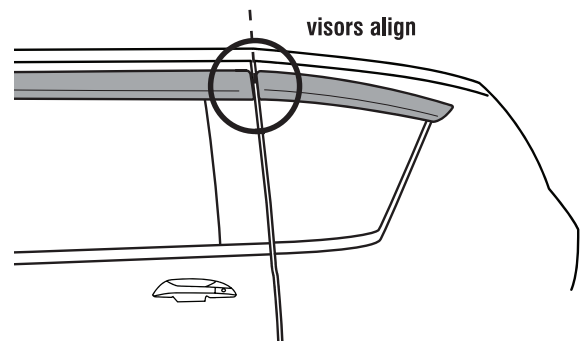
Apply strong pressure along all flanges to ensure proper adhesion of tape.



11

6 Piece Set

The rear extension visor attaches with the same preparation methods as the front and rear visors.



12

Repeat **Steps 1-12** for opposite side.

Care and Cleaning

- Wash only with mild soap & dry with a clean cloth.



The material that your product is made from can be recycled. Please also consider recycling the packaging that your product came in.



Congratulations!

You have purchased one of the many quality Husky® branded products. We take the utmost pride in our products and want you to enjoy years of satisfaction from your investment. We have made every effort to ensure that your product is top quality in terms of fit, durability, finish and ease of installation.



1-800-344-8759 • Visit us at huskyliners.com

© 2023 Husky Liners, Inc. All rights reserved.

Husky® and the Husky® logo are trademarks of Husky Liners, Inc.