



Ventvisor® Deflector

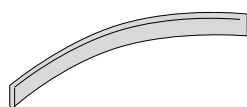
For proper installation and best possible fit, please read all instructions BEFORE you begin. For technical assistance or to obtain missing parts, please call Customer Relations at 1-800-344-8759.

Important Safety Information

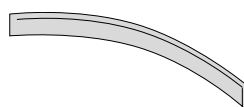


- CAUTION - Before driving, ensure that the vent visor is properly secured to vehicle.
- Do not use automatic "brush-style" car washes.
- Do not use cleaning solvents of any kind.
- Periodically check all components for tightness.

Contents - 2 Piece Set **NOTE:** Actual product may vary from illustration.



Front Driver Side Visor



Front Passenger Side Visor



Alcohol Pad x2

Contents - 4 Piece Set



Front Driver Side Visor



Front Passenger Side Visor



Rear Driver Side Visor



Rear Passenger Side Visor



Alcohol Pad x4

Tools Required



Car Wash Supplies



Clean Towel

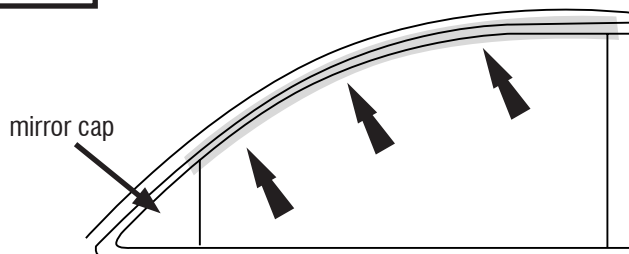
Preparation Before Painting / Installation

- A trial fit is recommended to ensure proper positioning and fit.
- Check fit of parts before painting as we will not accept the return of modified or painted parts.
- Wash and dry your vehicle to remove any debris and/or dirt from the installation area.

Installation Steps **NOTE:** Actual application may vary slightly from illustrations.



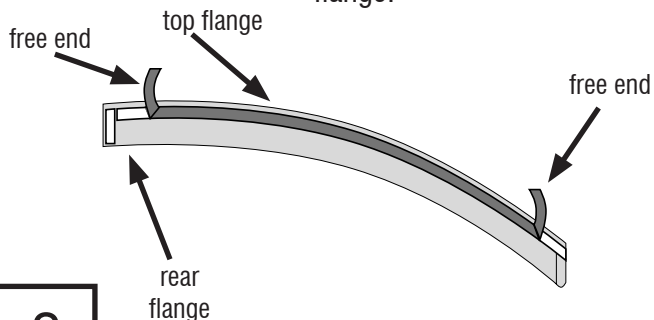
Clean the trim where the deflector will mount with an alcohol pad.



1

NOTE: the deflectors mount on the **out-side** trim of the door frame.

Remove tape liner from rear flange of deflector. Peel back 2" (5 cm) of tape line from each end of top flange.

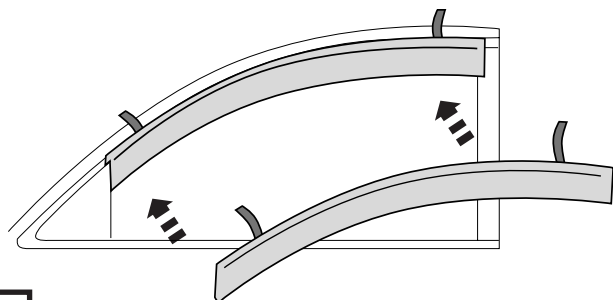


2

Installation Steps

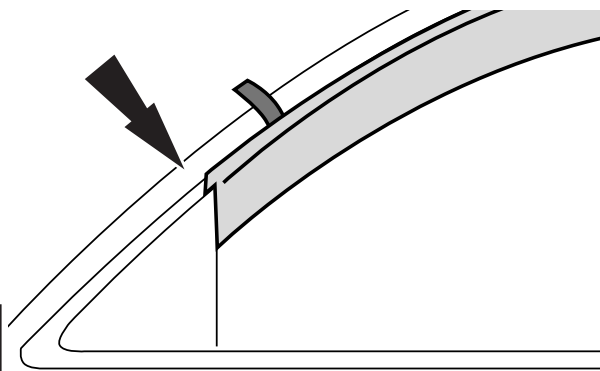
NOTE: Actual application may vary slightly from illustrations.

Align the driver side deflector with the previously cleaned door frame.



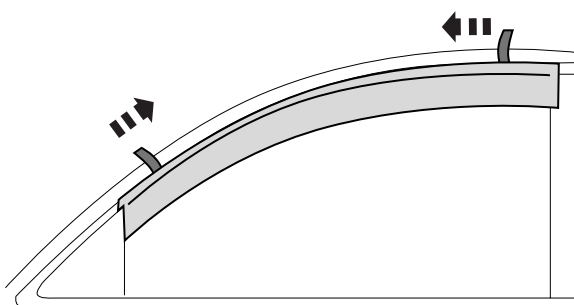
3

Slide the front end flange **under** the mirror cap.



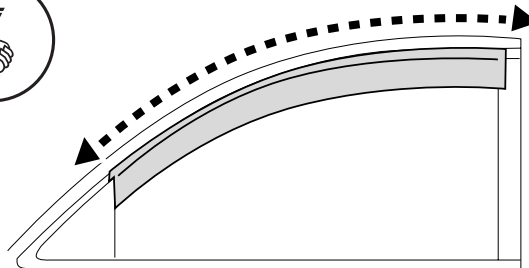
4

With the deflector in its final position, remove remaining tape liner by pulling on free ends.



5

Apply pressure along the flange edges to secure in place.



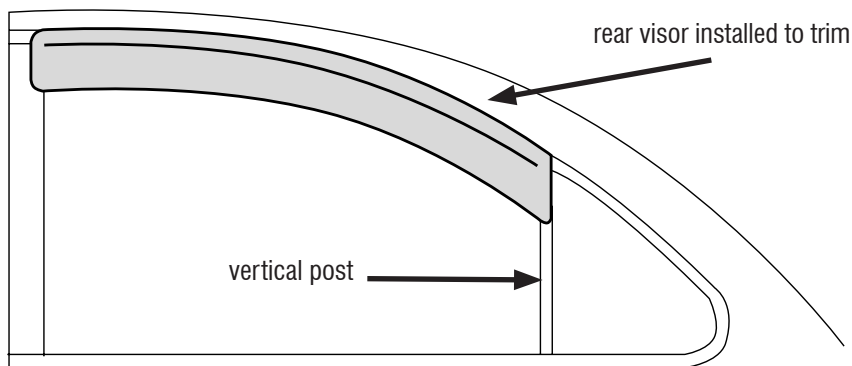
6

Repeat **steps 1 thru 6** for passenger side front deflector

4 Piece Set

The rear visor mounts to the door frame utilizing the same installation procedure as above. Repeat for opposite side. (**See Steps 3, 5, and 6**)

Alcohol Pad



7

Care and Cleaning

- Wash only with mild soap & dry with a clean cloth.



The material that your product is made from can be recycled. Please also consider recycling the packaging that your product came in.



Congratulations!

You have purchased one of the many quality Husky® branded products. We take the utmost pride in our products and want you to enjoy years of satisfaction from your investment. We have made every effort to ensure that your product is top quality in terms of fit, durability, finish and ease of installation.

HUSKY®

1-800-344-8759 • Visit us at huskyliners.com

© 2023 Husky Liners, Inc. All rights reserved.

Husky® and the Husky® logo are trademarks of Husky Liners, Inc.