

Heavy Duty Non-Winch Front Bumper

2017 Ford Superduty (Non-Winch) With or Without Adaptive Cruise

AL-FBM14FDN

07/14/20

Hardware Kit Includes:

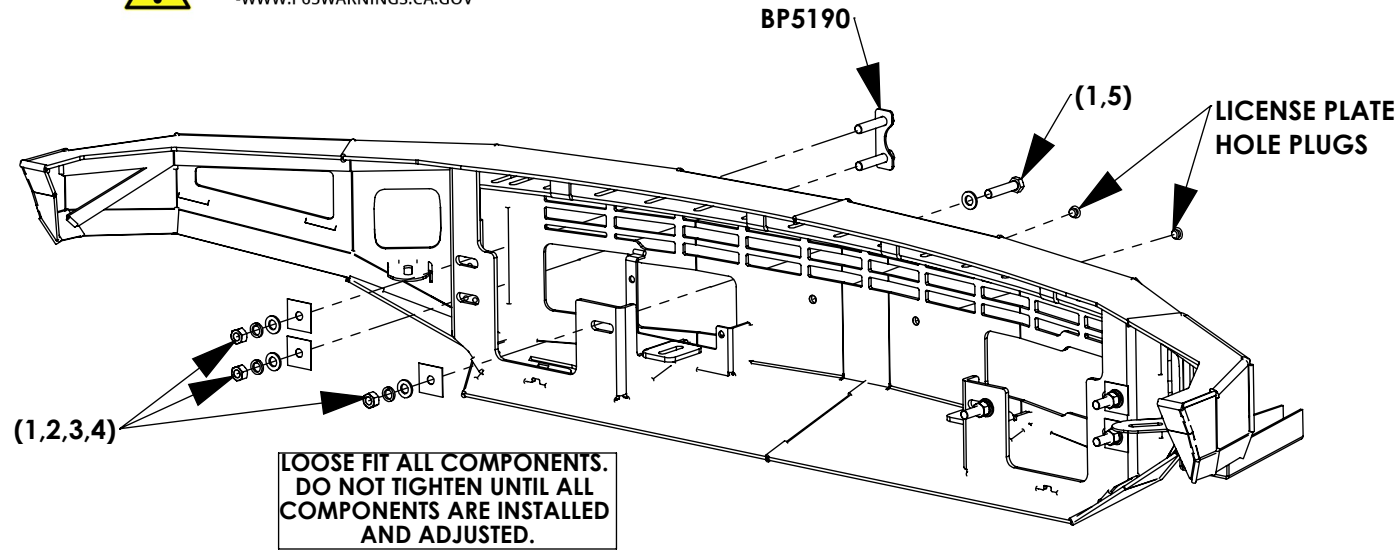
- (1) 8 – Flat Washers (M12) Grade 8
- (2) 6 – Lock Washers (M12) Grade 8
- (3) 6 – Hex Nuts (M12-1.75) Grade 8
- (4) 6 – Plastic Push Nuts (M12)
- (5) 2 – M12 Hex Head Bolts (M12-1.75 x 40mm)
- (6) 3 – Hex Head Bolts (M8-1.25 x 25mm) Grade 8
- (7) 3 – Hex Head Nuts (M8-1.25) Grade 8
- (8) 3 – Lock Washers (M8) Grade 8

Components List:

- 1 – Heavy Duty Bumper (AL-FBM14FDN)
- 2 – T-Bolts (BP5190)
- 2 – Rocker Armor Filler (BP5904) (1 Driver/1 Passenger)
- 2 – License Plate Hole Plugs



ATTN: STATE OF CALIFORNIA CONSUMERS
WARNING: CANCER AND REPRODUCTIVE HARM
-WWW.P65WARNINGS.CA.GOV



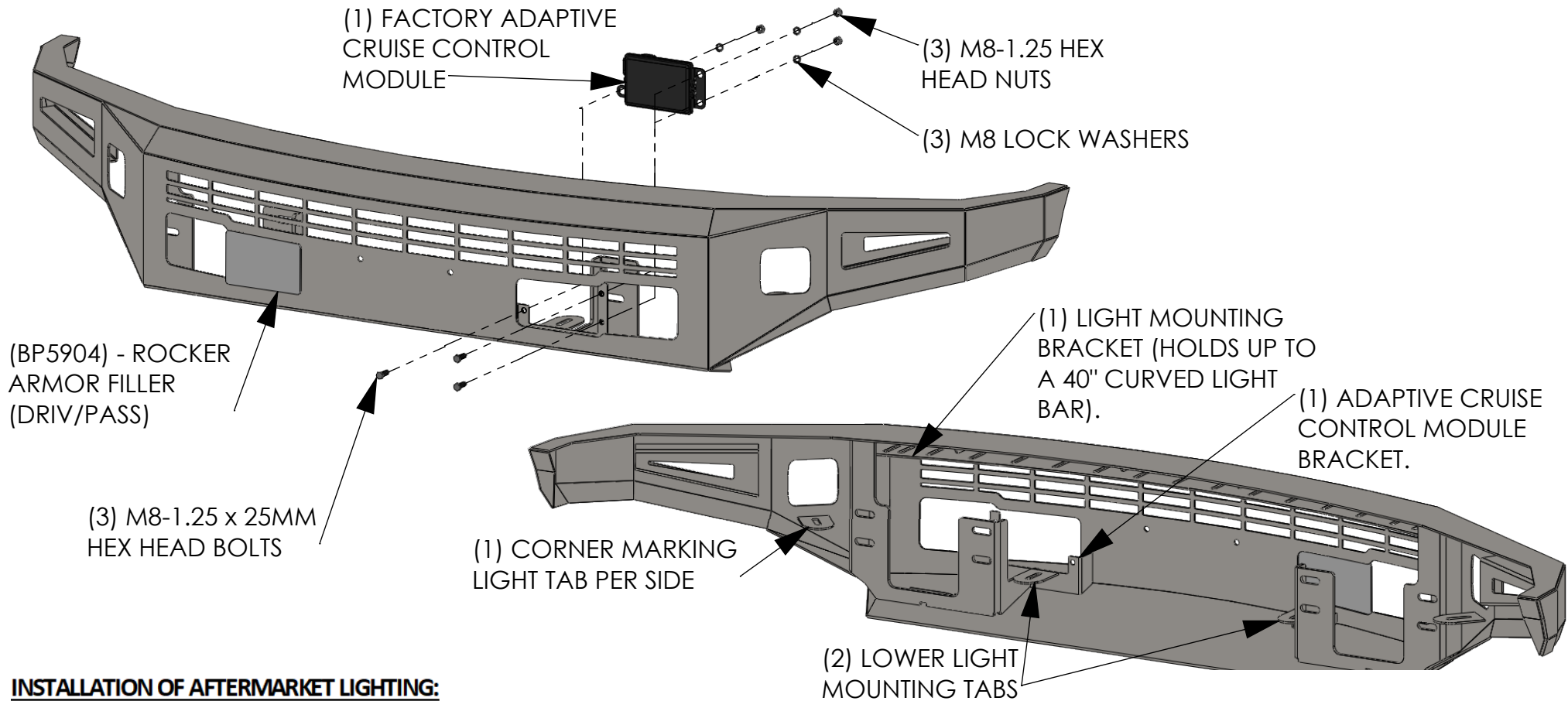
Step-by-Step Installation:

- STEP 1.** Open the hood and disconnect the negative battery terminal
- STEP 2.** Begin by unplugging the front bumper wiring harness located behind the bumper on the driver side and allow to hang clear of the frame.
- STEP 3.** Next, unbolt the two outside support brackets located on the outside of the frame and behind the bumper on either side of the frame. To reveal the (8) bolts holding bumper to the frame, you must first remove the plastic cover above and around the tow hooks (this is held on by plastic clips). Now, Remove the eight bolts attaching the bumper assembly at the front of the frame inside the tow hook pocket and set aside 4 bolts, and 2 nut plates for later use. The bumper can now be slid forward and removed from the truck.
- STEP 4.** (If Equipped) Remove Adaptive Cruise Control Module and plastic protective cover by removing the (2) bolts attaching it to the factory inside bracket, there is one on each side. The Adaptive Cruise Control Module then will need to be removed by pulling the module off the (3) studs holding it to the bumper, once module is removed, remove plastic from mounting holes and set aside for re-installation to Alumilite bumper.
- STEP 5.** Attach all aftermarket lighting and adaptive cruise control module (If Applicable) prior to installation of bumper on truck (See Page 2).
- STEP 6.** Take 2 T-Bolts (BP5190) and attach to the outer mounting slots on the bumper using supplied M12 plastic push nuts (shown in Fig. A). With help; lift and align bumper to the inside mounting brackets on the truck where you previously removed factory bumper. Loosely fasten bumper using the provided M12 hardware. Now with the factory hardware set aside in Step 3, loosely fasten it to the inner mounting slots on the bumper.
- STEP 7.** Once you are satisfied with alignment of the bumper on the truck; tightly fasten all hardware.
- STEP 8.** Finalize installation by wiring lighting solutions (to manufacturers specifications). Installation is Complete.

Heavy Duty Non-Winch Front Bumper

2017 Ford Superduty Non-Winch (With/Without Adaptive Cruise Control)

AL-FBM14FDN
07/14/20



INSTALLATION OF AFTERMARKET LIGHTING:

1. ICI recommends installing all lighting solutions prior to installing bumper to vehicle.
2. The FBM14FDN accommodates for the Adaptive Cruise Control Module (if equipped), if you have the ACC Module you will lose the lower light mounting tab on the driver side of the vehicle, due to the sensitivity of the sensor being moved from factory location.
3. ICI recommends all lighting and accessories are wired to manufacturers specifications, and that you ensure that all harnesses are still accessible when installing the bumper.

INSTALLATION OF ADAPTIVE CRUISE CONTROL MODULE (IF EQUIPPED):

1. ICI recommends installing Adaptive Cruise Control Module prior to installing bumper to vehicle.
2. Using Supplied M8 Hardware Attach the Adaptive Cruise Control Module to the bracket shown above, once sensor is aligned, snug hardware to secure module in place.
3. Once ACC Module is fastened, take the factory protective cover and attach using the factory U-clips and hardware.
4. Ensure that Harness is still accessible when installing the bumper, after bumper is fully tightened reconnect wiring harness into ACC Module.