

Heavy Duty Front Bumper

2018-19 Ford F-150 Eco Boost (With or Without Adaptive Cruise Control)

AL-FBM15FDN-RT

7/14/20

Visit the ICI Web Site for other exciting accessories for your vehicle. WWW.ICILINE.COM

Hardware Kit Includes:

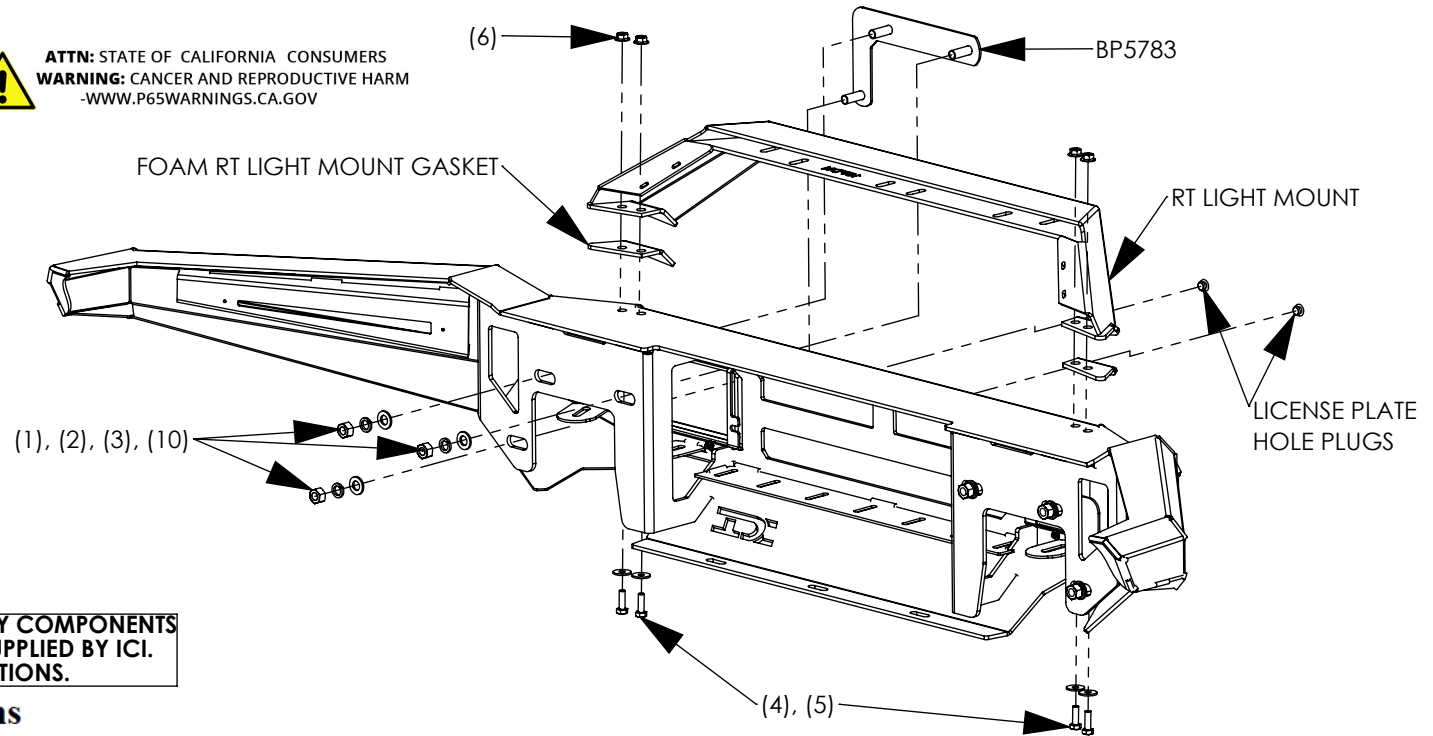
- (1) 6 – Hex Head Nuts (M12-1.75) Grade 8.8
- (2) 6 – Lock Washers (M12) Grade 8.8
- (3) 6 – Flat Washers (M12) Grade 8.8
- (4) 7 – Hex Head Bolts (M8-1.25 x 25mm) Grade 8.8
- (5) 4 – Flat Washers (M8) Grade 8.8
- (6) 4 – Flanged Hex Head Nuts (M8-1.25) Grade 8.8
- (7) 3 – Nylon Locking Nuts (M8)
- (8) 12 – M4 Flat Washers (12mm OD)
- (9) 12 – M4 Nylon Locking Nuts
- (10) 6 – M12 Plastic Push Nuts

Components List:

- (1) 1 – Alumilite Front Bumper (AL-FBM15FDN-RT)
- (2) 2 – L Bolts (Driver/Passenger BP5783)
- (3) 1 – RT Light Mount
- (4) 4 – RT Light Mount Hole Plugs
- (5) 2 – RT Light Mount Gaskets
- (6) 2 – License Plate Hole Plugs
- (7) 2 – Bolt on Front Panels (Driver/Passenger BP5753)
- (8) 2 – Rocker Armor Filler Panels (Driver/Passenger BP5758)



ATTN: STATE OF CALIFORNIA CONSUMERS
WARNING: CANCER AND REPRODUCTIVE HARM
-WWW.P65WARNINGS.CA.GOV



**LOOSE FIT ALL COMPONENTS.
DO NOT TIGHTEN UNTIL ALL
COMPONENTS ARE INSTALLED
AND ADJUSTED.**

**DISCLAIMER: USE ONLY COMPONENTS
AND HARDWARE SUPPLIED BY ICI.
NO SUBSTITUTIONS.**

Step-by-Step Installation Instructions

1. Begin by removing the plastic trim cover from the front face of the bumper. Gently pry from one edge until the cover releases. It may be helpful to apply pressure from the backside of the bumper. Careful not to scratch the OE bumper. (See Page 2 for Images).
2. (If Equipped) you will now need to remove the Adaptive Cruise Control Module from the front bumper assembly (careful not to drop or damage this as it is fragile). To remove this module, you will need to remove the (2) Hex Head Bolts from the front face attaching it to the bumper assembly, then remove the (2) Hex Head bolts on the inside top edge of the bumper assembly. After all (4) bolts have been removed you should be able to safely remove the sensor module from the bumper. Set this somewhere safe for re-installation later. Remove sensor from the factory sensor bracket.
3. Remove the bumper assembly from the vehicle. Remove plastic filler panel attached between the bumper and core support, disconnect wiring harnesses attached at the front bumper. Unbolt the front bumper by removing the 4 bolts (2 per side) holding the OE bumper to the frame. Remove 2 more bolts (1 per side) from behind the OE bumper. Be careful not to drop the bumper when all bolts are removed. With help, carefully remove the OE bumper from the truck and set aside.
4. Now that the factory bumper assembly has been removed, take the driver side bolt-on front panel assembly (BP5753) and re-install the factory adaptive cruise control module (If Equipped) using (Pg. 4) of the installation instructions.
5. If your truck is not equipped with the adaptive cruise control module (refer to Pg. 4) of the installation instructions on how to mount aftermarket lighting into the bumper.
6. Using the provided M8 hardware, install the RT Light Mount to the top center of the bumper. Make sure that the foam gasket is between the RT Light Mount and the top of the bumper. If you do not wish to use the RT Light Mount, plug the holes with the provided RT Light Mount Hole Plugs.
7. After all lighting solutions and (if equipped) adaptive cruise module have been installed (Refer to Pg. 5) of installation instructions to install bolt-on front panels to the FBM15FDN front bumper. You are now ready to install the Alumilite front bumper by installing the provided L-bolts (BP5783) inside the bumper. Now with help align the bumper to the mounting holes on the frame of the truck and lightly tighten using the provided M12 hardware.
8. Once all the hardware has been installed, adjust the bumper to the truck, side/side and up/down until you are satisfied, then fully tighten all hardware.

AL-FBM15FDN-RT

7/14/20

Page 2



Step 1.
*Remove Plastic
Trim Cover.*



Step 3.
*Cut/Remove Inner Fender
Crash Bars If So Desired.*



Step 2.
*Remove lower
bumper retaining
bolts*



Heavy Duty Front Bumper

2018-19 Ford F-150 Eco Boost (With Adaptive Cruise Control)

AL-FBM15FDN-RT

7/14/20

Page 3

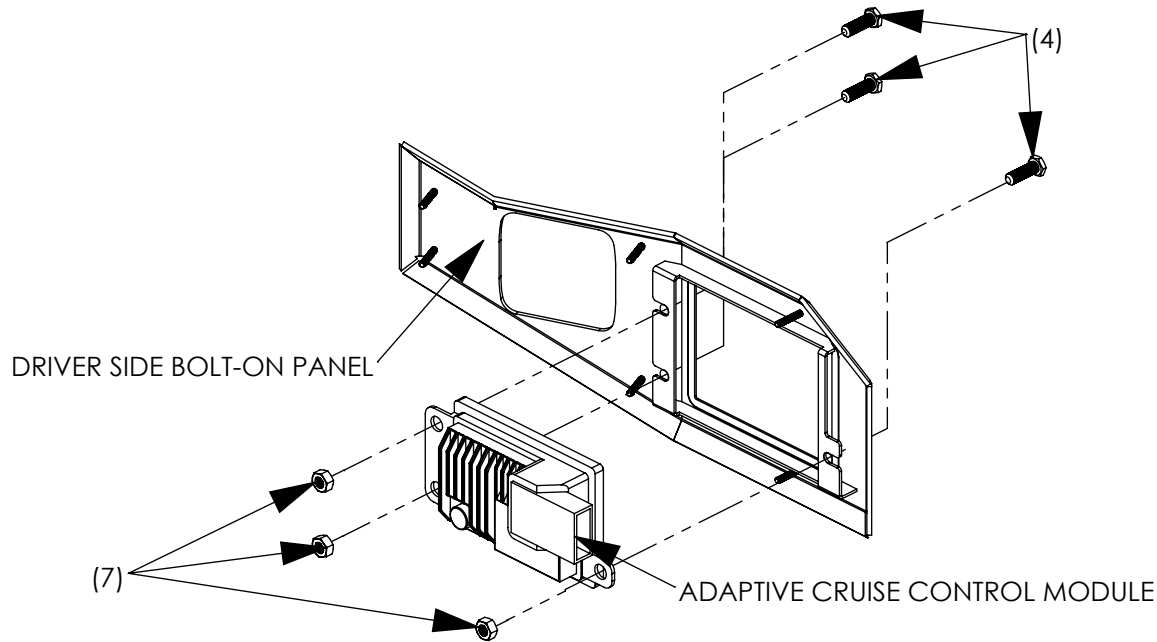
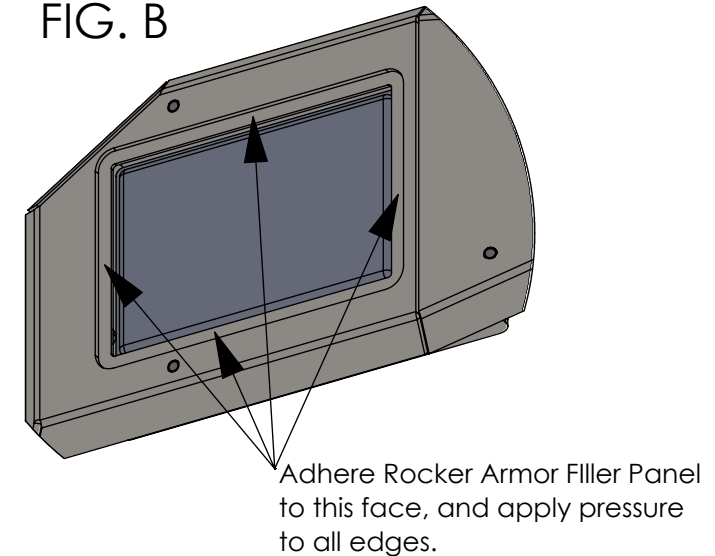


FIG. A



FIG. B



Step-by-Step Installation Instructions

1. First, you will take your driver side bolt-on front panel (BP5753) along with your adaptive cruise control module, and attach it using the provided M8 bolts and nylon locking nuts. Center in opening and tighten.
2. Take the provided rocker armor filler panels (FIG. A) and attach it to the front recessed lip and firmly press around all edges. Repeat this a few times over to ensure it properly adheres. (FIG. B)
3. For the final step, take the bolt-on front panel and attach it to the Magnum bumper using the provided #8 hardware, following the instructions on Page 5.

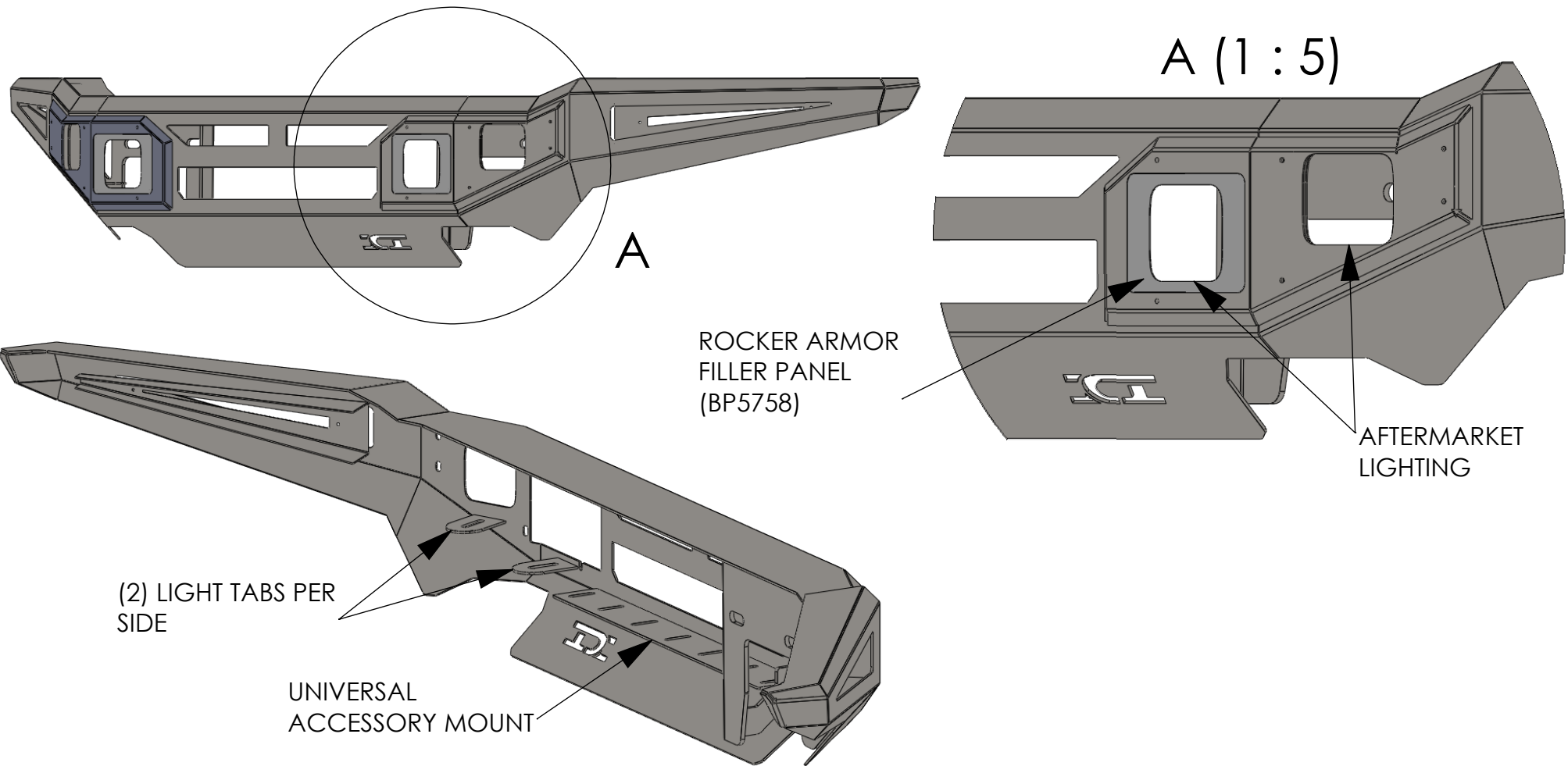
Heavy Duty Front Bumper

2018-19 Ford F-150 Eco Boost (Without Adaptive Cruise Control)

AL-FBM15FDN-RT

7/14/20

Page 4



Step-by-Step Installation Instructions

1. ICI recommends installing all lights prior to installing bumper to vehicle.
2. The FBM15FDN is equipped with 2 light tabs on each side, as well as a universal accessory mount behind the center plate. **(Use of the universal accessory mount is at your own risk. ICI is not responsible for any damages to vehicle with use of this as a light mount, due to the possibility of reduced airflow to the intercooler.)**
3. When installing square lights into their locations, ICI recommends aligning bolt-on front panels into their mounting holes to ensure lights sit flush with outside face of the Panels.
4. Wire all lighting and accessories following manufacturers specifications, ensure when installing bumper all harnesses are still accessible.

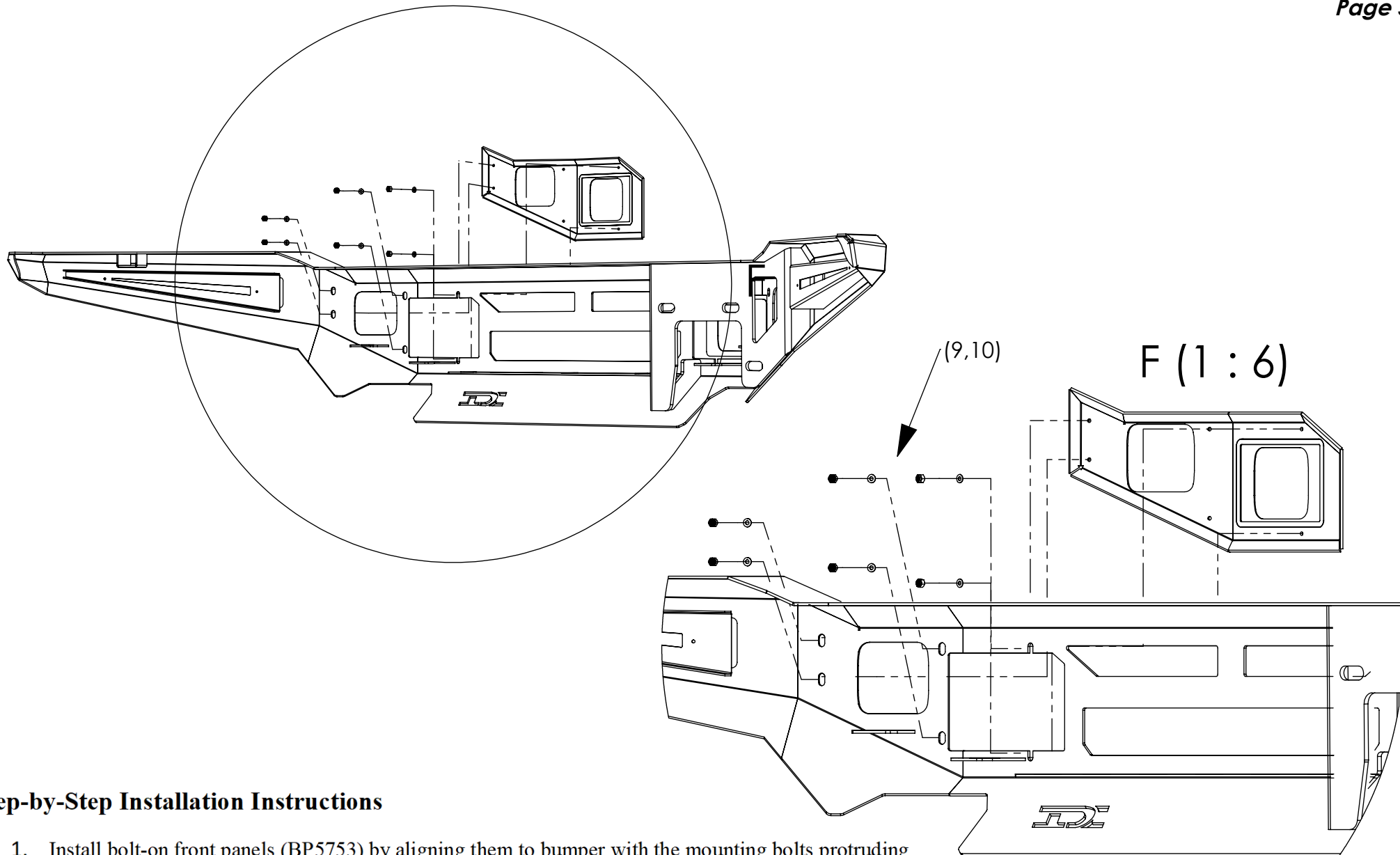
Heavy Duty Front Bumper

2018-19 Ford F-150 Eco Boost (With or Without Adaptive Cruise Control)

AL-FBM15FDN-RT

7/14/20

Page 5



Step-by-Step Installation Instructions

1. Install bolt-on front panels (BP5753) by aligning them to bumper with the mounting bolts protruding through holes in bumper.
2. Take (6) provided M4 flat washers and nylon locking nuts per side and snugly fasten. Do not overtighten to avoid damaging the pressed in studs, or warping the panels.