

Heavy Duty Rear Bumper 15-17 F150

2015-2017 Ford F150 (w/wo backup sensors)

AL-RBM85FDN-KC

7/13/20

Hardware Kit Includes:

- (1) 6 – Hex head nuts (M12-1.75) Grade 8.8
- (2) 6 – Lock washers (M12) Grade 8.8
- (3) 12 – Flat washers (M12) Grade 8.8
- (4) 6 – M12 Plastic push nuts

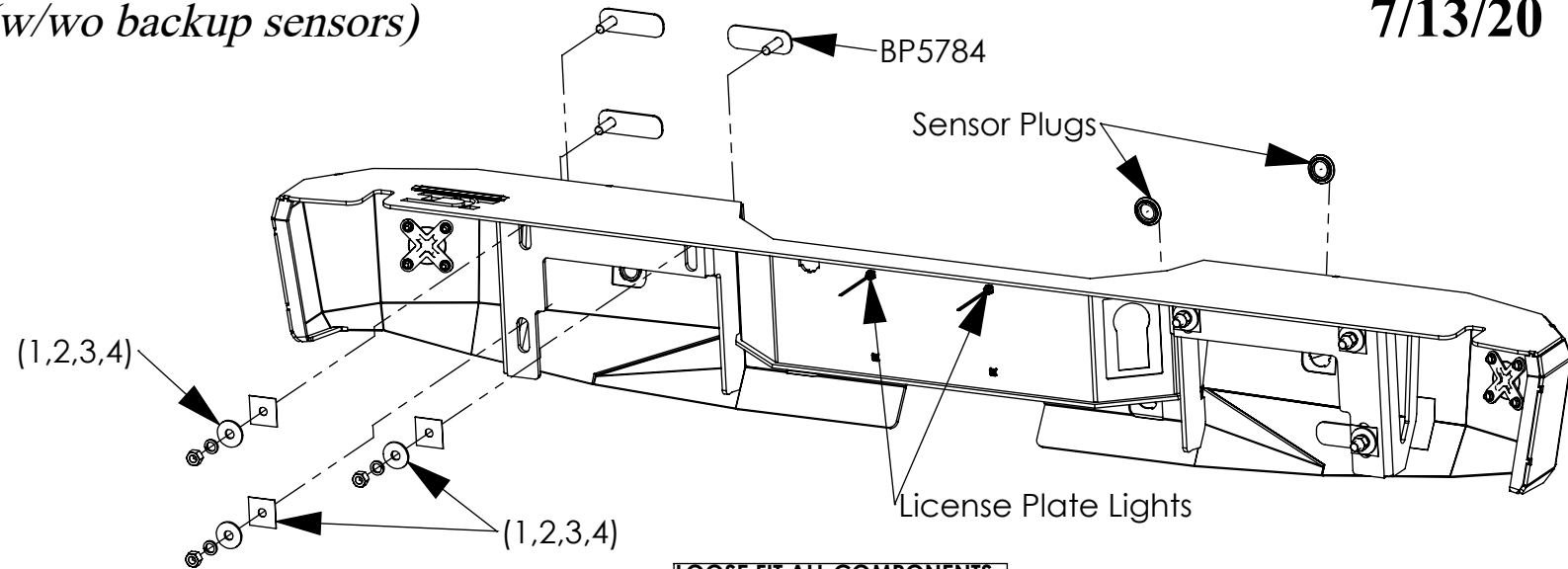
Components List:

- 1 – Heavy Duty Bumper (RBM85FDN)
- 6 – Mounting T-Bolt(BP5784)
- 2 – Universal LED plate lights
- 4 – Wire connectors
- 4 – Back-up sensor plugs

Not Included:

IF YOUR BUMPER HAS BACKUP SENSORS YOU WILL NEED TO GET THE FOLLOWING PARTS FROM A FORD DEALERSHIP.

- 1 – Right OE Sensor Bracket FL3Z15K861AA
- 1 – Left OE Sensor Bracket FL3Z15K861AB



**LOOSE FIT ALL COMPONENTS.
DO NOT TIGHTEN UNTIL ALL
COMPONENTS ARE INSTALLED
AND ADJUSTED.**



**ATTN: STATE OF CALIFORNIA CONSUMERS
WARNING: CANCER AND REPRODUCTIVE HARM
-WWW.P65WARNINGS.CA.GOV**

Step by Step Installation Instructions

- STEP 1:** Read and understand instructions completely before beginning installation.
- STEP 2:** Remove license plate and unlock and remove spare tire locking assembly and set aside for reinstallation into new Alumilite bumper.
- STEP 3:** Lower and remove factory spare tire and put aside out of the way. Unplug trailer wiring harness from rear of trailer plug in bumper, and backup parking sensor harnesses taking care not to damage during removal. The hitch and rear bumper will be removed together as a unit so use care when removing. Loosen and remove the factory retaining bolts from either side of the inside of the factory hitch/bumper assembly (save for reinstallation). **Note: Make sure to support bumper BEFORE removing bolts.** Carefully lower and move away from the vehicle. Separate the hitch from the bumper then follow the cutting and removal instructions for the bumper drop step support flange on the factory hitch (*Apply spray paint or sealant to exposed bare metal area to prevent rusting after modification is completed-paint not supplied*).
- STEP 4:** Remove and layout all Alumilite bumper components from the box. Inspect hardware kit for completeness, read instructions thoroughly and completely before proceeding.
- STEP 5:** If you have backup sensors you will need to purchase PN's: FL3Z15K861AA and FL3Z15K861AB from a Ford dealer. Remove the four factory backup parking sensors along with the two outer plastic sensors brackets from the factory bumper. Install the (4) sensor brackets into the Alumilite bumper, beware of the orientation of the brackets. Once the brackets are snapped in place, install the sensors and route the wiring harness through the back of the bumper so it will not get pinched when the bumper is reinstalled.
- STEP 6:** Install license plate with LED license plate lights and wire the lights to the OE license plate light harness.
- STEP 7:** Insert supplied T -Bolts #BP5784 inside bumper mounting bracket as shown, secure using the M12 plastic push nuts to the bumper prior to installation. Install factory receiver hitch to the bumper assembly and secure with the supplied M12 hex head nuts, flat and lock washers as shown in the diagram, leave slightly loose for adjustment after installing to the vehicle.
- STEP 8:** Carefully align mounting brackets with the frame (It may be helpful to support bumper with floor jacks during install). Bolt bumper assembly to the frame using the factory hardware removed in step #3. Leave slightly loose until after all adjustments have been made. Plug in all sensors and trailer plug harnesses making sure they click into place.
- STEP 9:** Check fit and align the bumper and hitch assembly to the vehicle. Check for tailgate to bumper clearance when open. Secure and tighten all bumper/hitch hardware. Reinstall spare tire after completion of adjustments and install factory spare tire lock into your new Alumilite bumper.
- Plug in license plate light harness and trailer harness, secure wires to frame rails and verify functionality of all items.
 - Re-torque all hardware periodically after installation.

1. Separate the receiver hitch from factory bumper.
2. Mark a straight line across the top of the hitch at 1 3/4. As shown.



Wear protective eyewear while performing this operation.



Part Number(s):	Date: 11/3/2015
Material(s):	Scale:
FILE:	Drawing by:

8

7

6

5

4

3

2

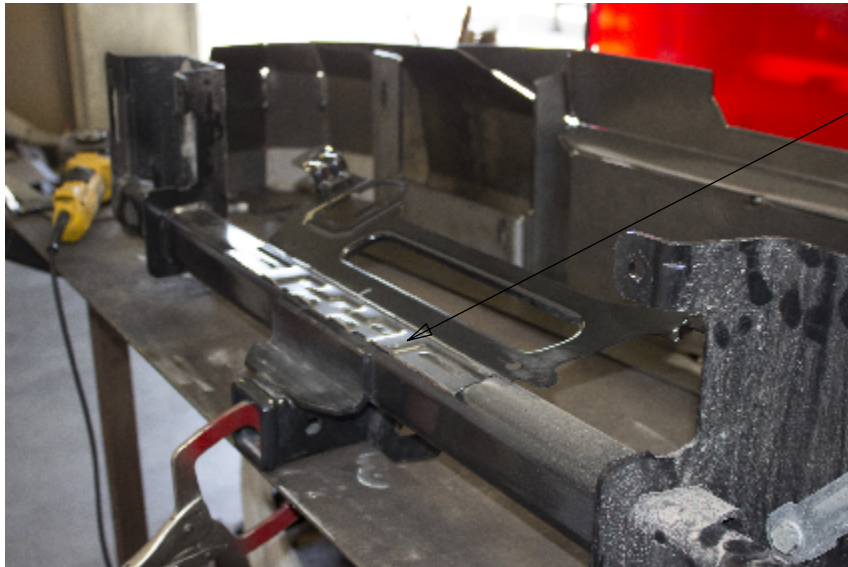
1

3. After marking, remove using cut off wheel or equivalent.

4. Mark and cut flange off using a cut off wheel or equivalent along the bend line.



5. Smooth out any sharp edges. Coat with spray paint to prevent rusting.



Wear protective eyewear while performing this operation.



Part Number(s):

Material(s):

FILE:

Date: 11/3/2015

Scale:

Drawing by:

8

7

6

5

4

3

2

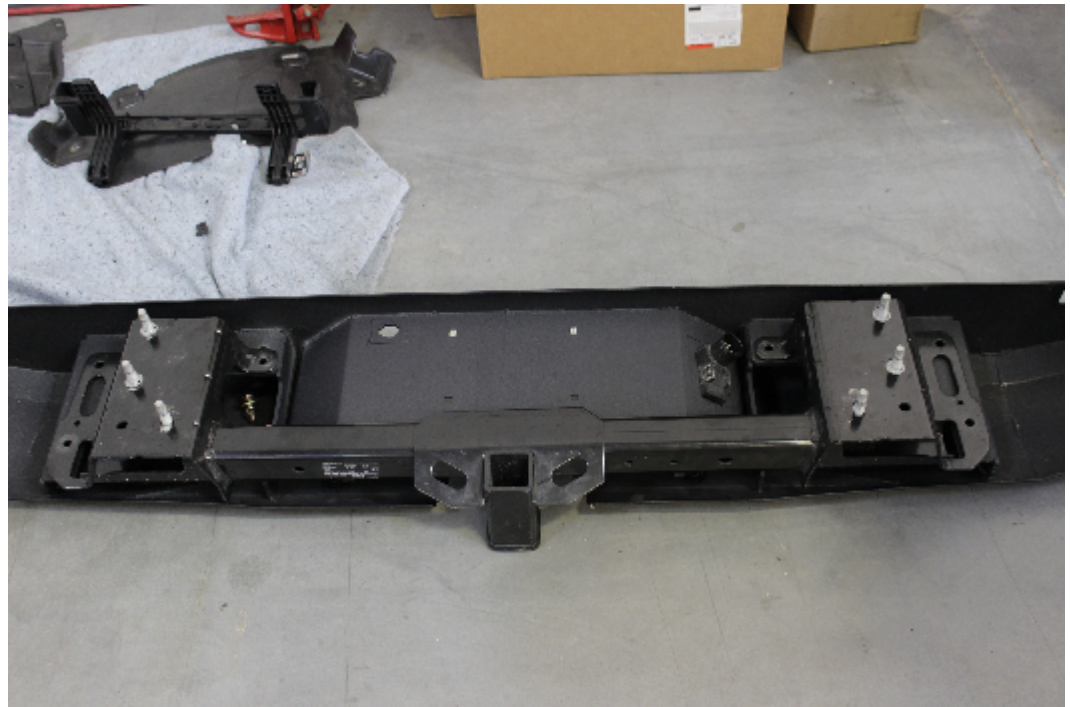
1

6. Final, before bumper installation.



Wear protective eyewear while performing this operation.

7. Align hitch to the Alumilite rear bumper, attach with supplied hardware.



Wear protective eyewear while performing this operation.



Part Number(s):	Date: <i>11/3/2015</i>
Material(s):	Scale:
FILE:	Drawing by: