

HEAVY DUTY BUMPER INSTALLATION

AL-RBM97DGN-KC
07/14/20

2010-2014 Dodge Ram HD 2500/3500 (Non Sensor Only)

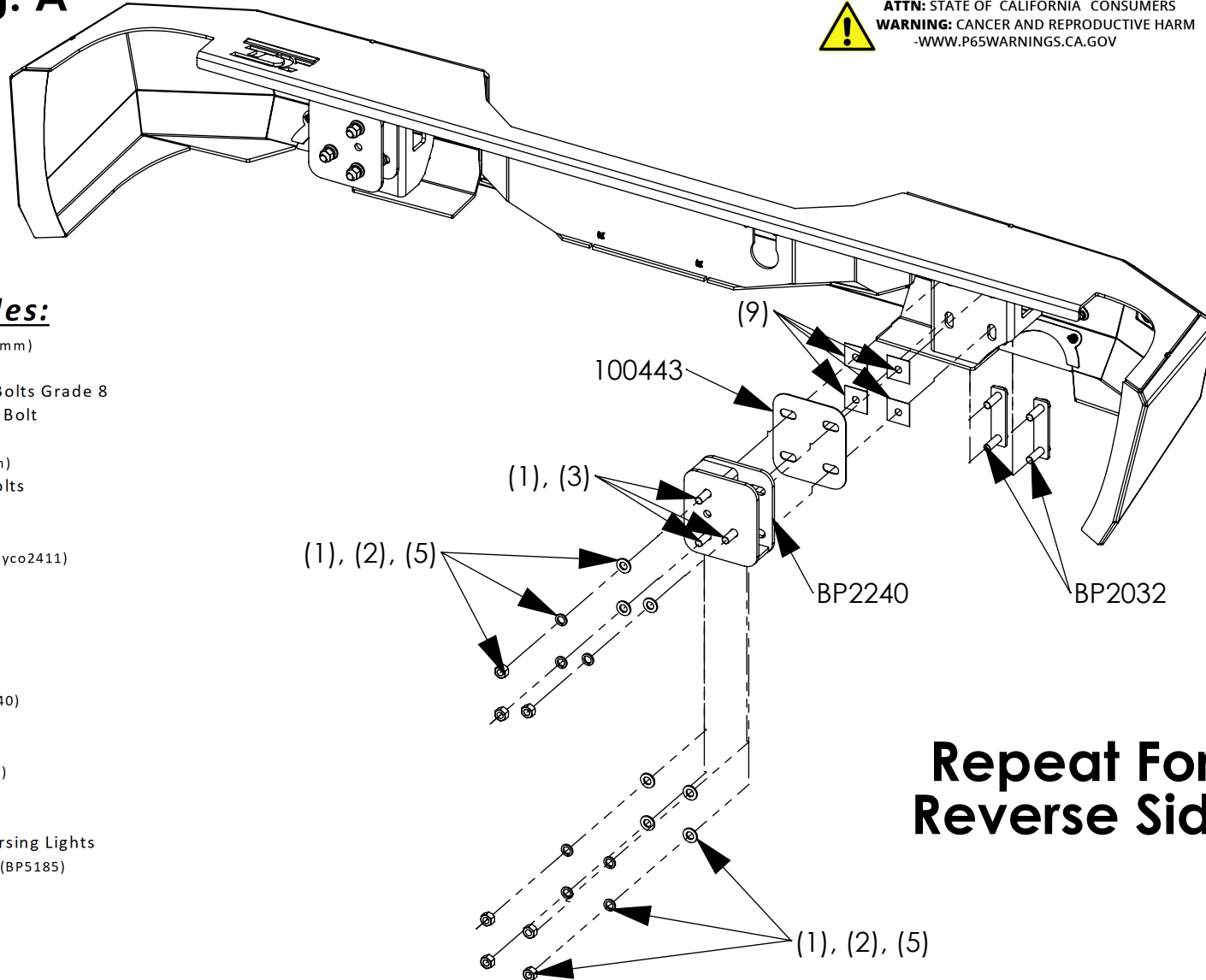
2009-2018 Dodge Ram 1500 (Sensor/Non Sensor, Single/Dual Exhaust)

2014-2018 Dodge Ram HD 2500/3500 (Sensor/Non Sensor, Single/Dual Exhaust)

Fig. A



ATTN: STATE OF CALIFORNIA CONSUMERS
WARNING: CANCER AND REPRODUCTIVE HARM
-WWW.P65WARNINGS.CA.GOV



Hardware Kit Includes:

- (1) 24 – M12 Flat Washers (O.D.24x2.5mm)
- (2) 16 – M12 Lock Washers
- (3) 6 – M12-1.75 x 35mm Hex Head Bolts Grade 8
- (4) 2 – M12-1.75 x 60mm Allen Head Bolt
- (5) 16 – M12-1.75 Hex Head Nuts
- (6) 2 – M6 Flat Washers (O.D.12x1.6mm)
- (7) 2 – M6-1.0 x 20mm Allen Head Bolts
- (8) 2 – M6-1.0 Nylon Lock Nuts
- (9) 8 – M12 Plastic Push Nuts
- (10) 1 – 2.25in Plastic Domed Cap (Heyco2411)
- (11) 4 – Plastic License Plate Nuts

Components List:

- 1 – Magnum Bumper (AL-RBM97DGN)
- 2 – Outside Mounting Brackets (BP2240)
- 4 – T-bolts (BP2032)
- 4 – Spacer (BP2205)
- 2 – Bumper/Bracket Insulator (100443)
- 4 – Sensor Rubber Plugs (100491)
- 2 – Dual Exhaust Decorated Plates
- 2 – Removable Filler Panels For Reversing Lights
- 1 – Universal LED License Plate Light (BP5185)

**LOOSE FIT ALL COMPONENTS.
DO NOT TIGHTEN UNTIL ALL
COMPONENTS ARE INSTALLED
AND ADJUSTED.**

**DISCLAIMER: USE ONLY COMPONENTS
AND HARDWARE SUPPLIED BY ICI.
NO SUBSTITUTIONS.**

**Repeat For
Reverse Side**

Step by Step Installation Instructions

- Step 1.** Read and understand the instruction completely before beginning the installation. Remove and check all components of the Alumilite bumper.
- Step 2.** Remove the license plate to reveal two mounting bolts, disconnect the trailer plug harness and the license plate light harness and set aside.
- Step 3.** Remove the bolts holding the bumper to the truck, they are located at the center of the bumper and on the sides to the factory hitch supports if equipped with a hitch.
- Step 4.** Prepare the Alumilite bumper to be installed by attaching the license plate with the LED license plate lights. If installing backup lights, mount these in the bumper now.
- Step 5.** Insert T-bolts BP2032 into the inside brackets of the Alumilite bumper and secure them using the provided plastic push nuts (9) as shown in FIG A.
- Step 6.** Attach the BP2240 mounting brackets to the frame using provided hex head bolts (3), flat washers (1), lock washers (2) and nuts (5) as shown in FIG A. On newer model years you may need to reattach the factory mounting plates to the frame as show in FIG F.
- Step 7.** If your trailer plug looks like the plug shown in FIG D you will need to drill two ¼" holes as shown in FIG D. The trailer plug will either snap into the Alumilite bumper or you will use the M6 hardware to attach it, depending on your vehicle year. If you have the snap in style, you may need to bend the metal tabs out on the plug once it is installed in the Alumilite bumper.
- Step 8.** Depending on vehicle and type of installation, you will install backup sensors, backup lights and remove the filler plates for the dual exhaust option. Refer to FIG C and G. Backup sensors reuse the sensor bezel and can be transferred to the Alumilite bumper.
- Step 9.** Carefully install the bumper with to the installed brackets on the vehicle (it may be helpful to support bumper with floor jacks during install). Be sure to place the Bumper/Bracket Isolator (100443) between the bracket and the bumper mounting face to isolate the steel and aluminum parts. Bolt the bumper assembly to the installed brackets using hex head nuts (4), lock washer (2) and flat washers (1) washers as shown (Fig. A).
- Step 10.** Secure to bumper to factory hitch using socket cap button head bolts (4), flat washers (1), lock washers (2), and hex head nuts (5) through factory holes on hitch receiver plate as shown (Fig. B). Re-install factory hitch/bumper bolt and torque to factory specs. If your truck is not equipped with center factory hitch/bumper bolt, use the 2 ¼" domed plastic cap supplied in the hardware kit to cover center hole in the Alumilite Bumper step plate
- Step 11.** Use supplied connectors to tap into the OE license plate light harnesses to supply power to new LED license plate lights. NOTE: On some 2013 and later trucks it may be necessary to install a 25 ohm-load resistor (not included) in line with the LED plate light to eliminate a "light out" warning on the vehicle information cluster on the dash.
- Step 12.** Adjust the bumper to your satisfaction and snug up all fasteners. Open tailgate and check clearance between it and the bumper, re-adjust bumper if necessary. Then beginning with frame mounts fully tighten all mounting hardware.
- Step 13.** Attach and plug in the trailer plug and harness, secure the wires to frame rail or the inner bumper brackets. The location is on opposite side from 2014 up models and you may need to move the harness by unclipping it from the frame to allow for additional length.
- Step 14.** Recheck all mounting hardware and verify that it is secure and that all electrical items are functioning properly. You have now completed the installation.
- Step 15.** Re-tighten all mounting hardware after 50-100 miles and then periodically to ensure the safety and longevity of your Alumilite Bumper.

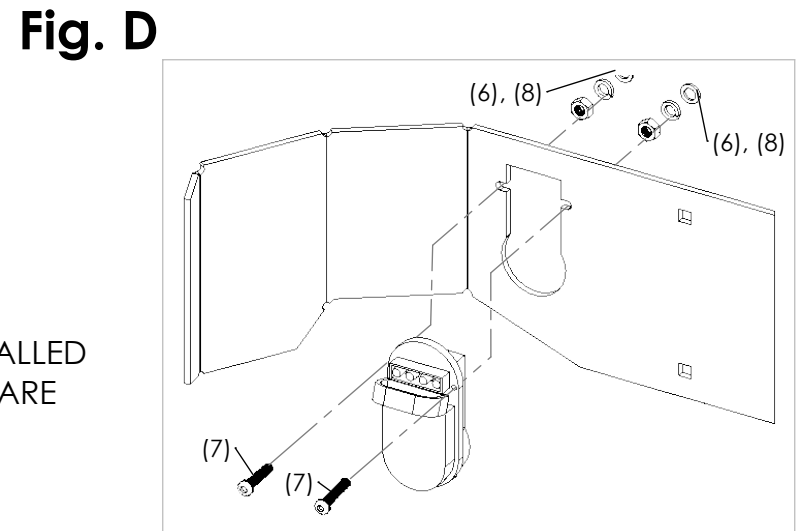
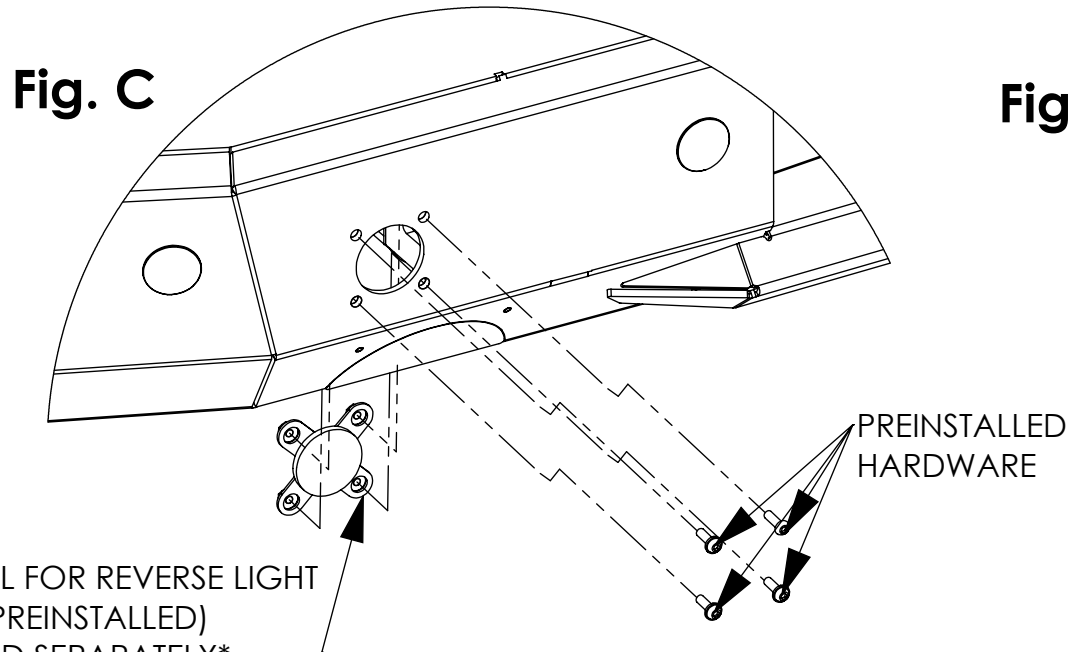
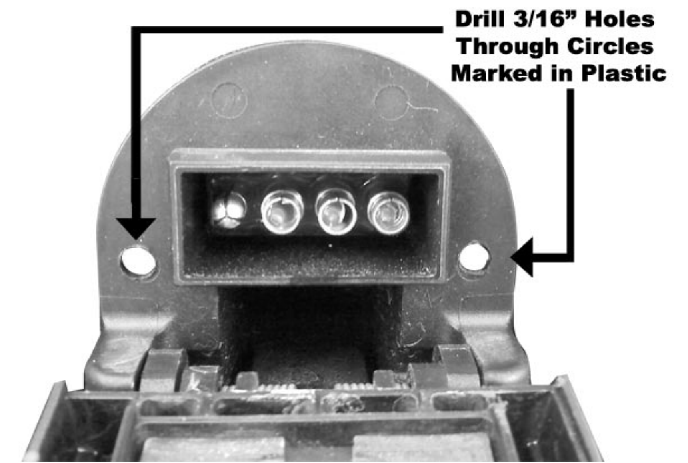
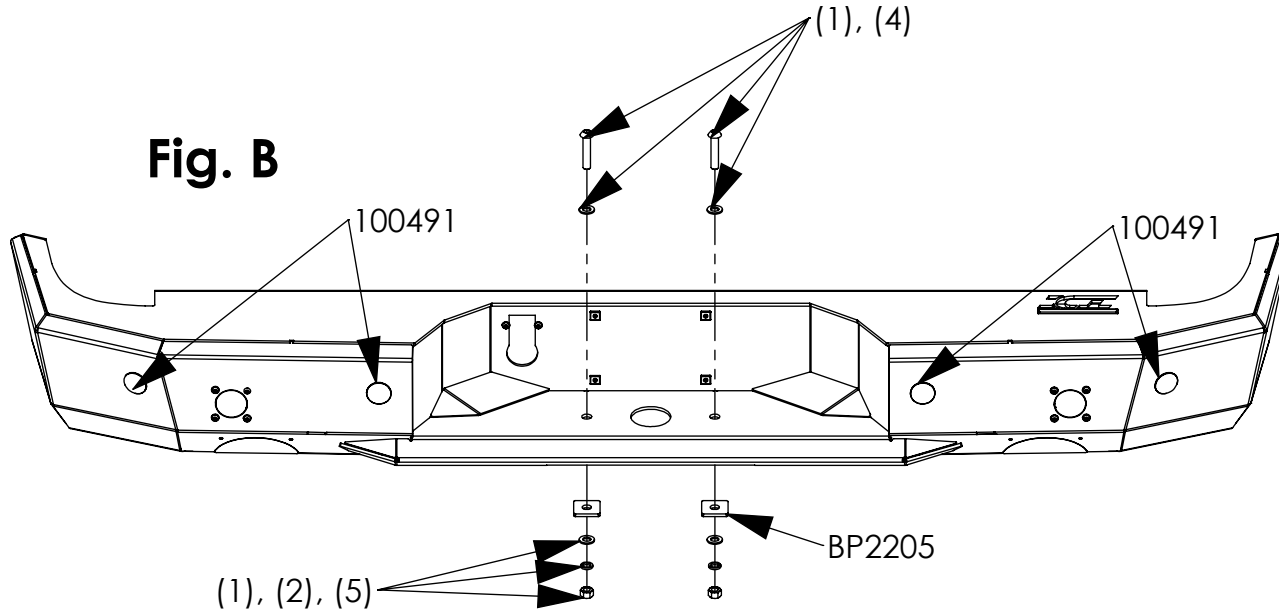
HEAVY DUTY BUMPER INSTALLATION

AL-RBM97DGN-KC
07/14/20

2010-2014 Dodge Ram HD 2500/3500 (Non Sensor Only)

2009-2018 Dodge Ram 1500 (Sensor/Non Sensor, Single/Dual Exhaust)

2014-2018 Dodge Ram HD 2500/3500 (Sensor/Non Sensor, Single/Dual Exhaust)



HEAVY DUTY BUMPER INSTALLATION

AL-RBM97DGN-KC

07/14/20

2010-2014 Dodge Ram HD 2500/3500 (Non Sensor Only)

2009-2018 Dodge Ram 1500 (Sensor/Non Sensor, Single/Dual Exhaust)

2014-2018 Dodge Ram HD 2500/3500 (Sensor/Non Sensor, Single/Dual Exhaust)

If vehicle came equipped with the HD receiver hitch option, you must remove the two factory step plate studs prior to install

Fig. E

*Use cut off wheel or equivalent to remove.
Apply a small amount of spray paint to bare metal after removing studs to prevent rusting*



HEAVY DUTY BUMPER INSTALLATION

AL-RBM97DGN-KC

07/14/20

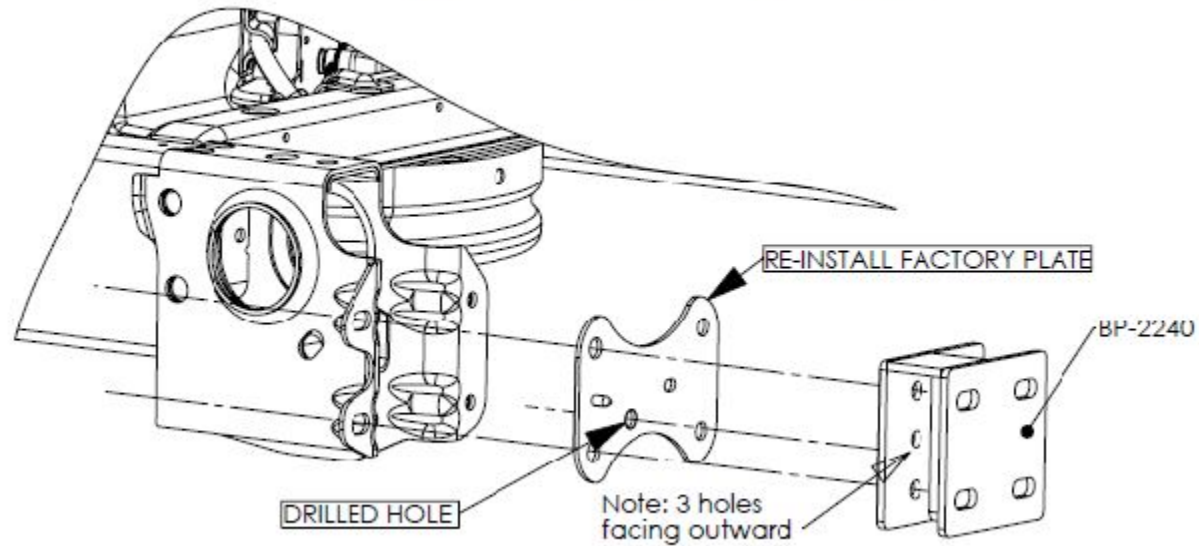
2010-2014 Dodge Ram HD 2500/3500 (Non Sensor Only)

2009-2018 Dodge Ram 1500 (Sensor/Non Sensor, Single/Dual Exhaust)

2014-2018 Dodge Ram HD 2500/3500 (Sensor/Non Sensor, Single/Dual Exhaust)

DRIVERS SIDE SHOWN

Fig. F



After installed, continue original installation instructions.

Fig. G

