



**ADVENTURE
FURTHER®**

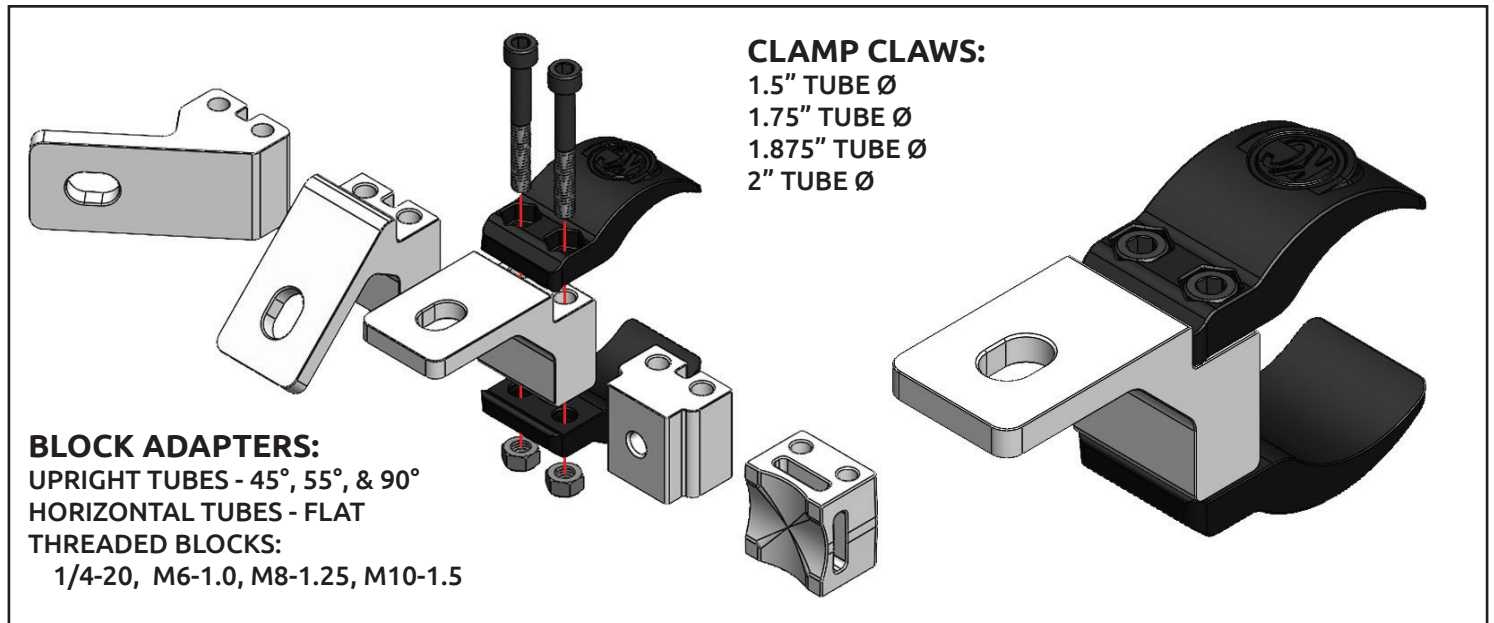
UNIVERSAL TUBE CLAMP MOUNTS KITS
#7332X CLAMP CLAWS: 1.5", 1.75", 1.875", 2.0" & CAN-AM DEFENDER
#7333X CLAMP BLOCK ADAPTERS & CAN-AM DEFENDER

INSTALLATION INSTRUCTIONS

IMPORTANT: Please read all instructions before beginning installation. These guidelines are provided in good faith to help prevent any issues arising from errors during installation. The manufacturer of this product shall not be held responsible for any user actions taken or not taken during installation. There are many details of the installation that are assumed to be general mechanical knowledge to experienced installers; which are not detailed in these instructions. These installation guidelines are intended to serve as professional recommendations and are not as a step-by-step, fail-safe installation checklist. Selection of an experienced installer is the sole responsibility of the project owner.

ASSEMBLY INSTRUCTIONS: 1.5", 1.75", 1.875", & 2" CLAMP CLAWS + CLAMP BLOCKS

TOOLS NEEDED:
METRIC ALLEN



ASSEMBLY INSTRUCTIONS: CAN-AM DEFENDER A-PILLAR

TOOLS NEEDED:
METRIC ALLEN

