



AIRCHARGER®

HIGH-FLOW INTAKE KITS

NOT LEGAL FOR SALE OR USE ON ANY POLLUTION CONTROLLED MOTOR VEHICLE IN CALIFORNIA OR STATES ADOPTING CALIFORNIA EMISSION PROCEDURES.
See knfilters.com for CARB status on each part for a specific vehicle

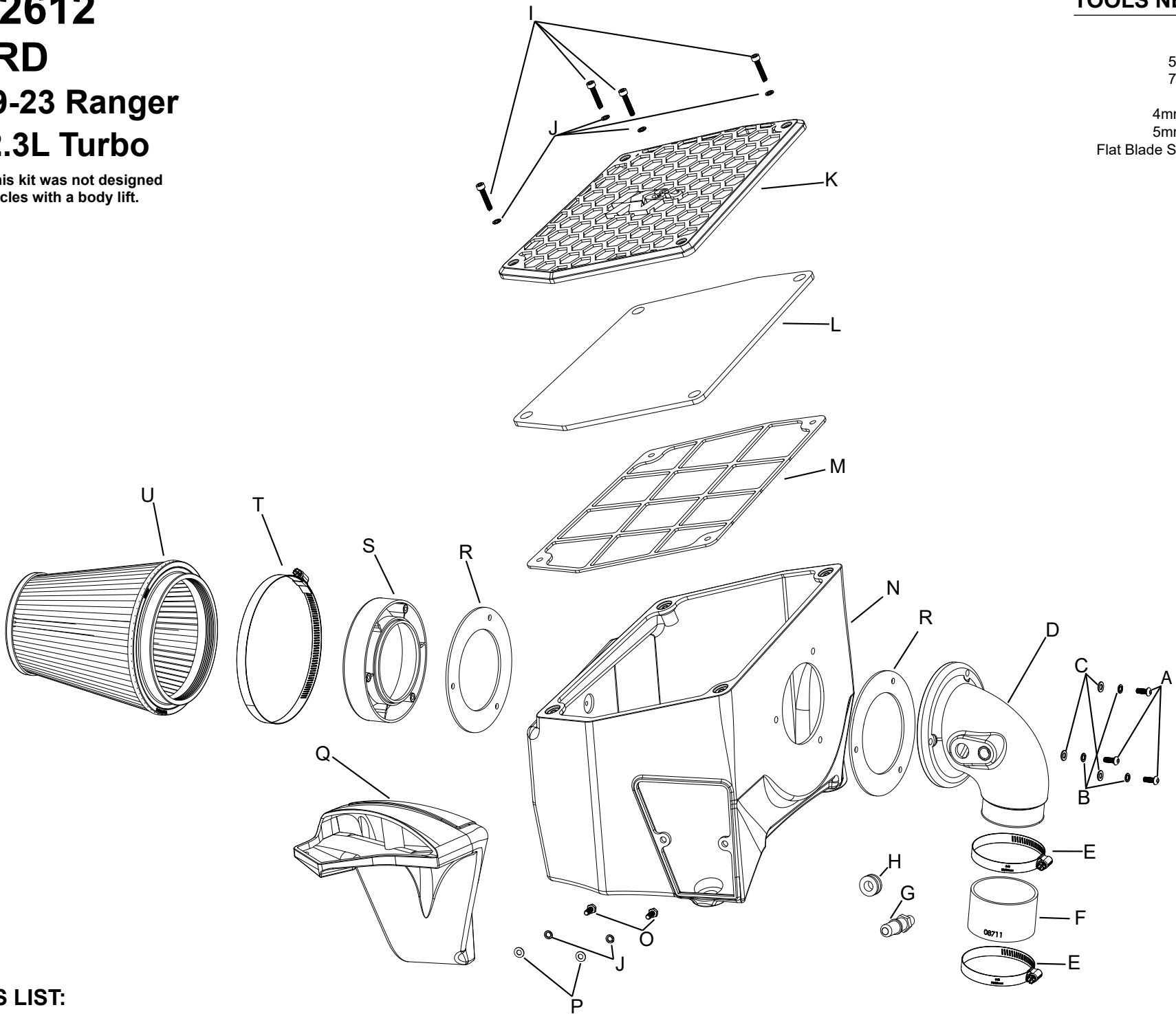
INSTALLATION INSTRUCTIONS

63-2612
FORD
2019-23 Ranger
L4-2.3L Turbo

NOTE: This kit was not designed to fit vehicles with a body lift.

TOOLS NEEDED:

- Ratchet
- Extension
- 5/16" Socket
- 7/16" Socket
- T30 TORX
- 4mm Allen Key
- 5mm Allen Key
- Flat Blade Screw Driver



PARTS LIST:

Description	Qty.	Part #	Description	Qty.	Part #	Description	Qty.	Part #
A BOLT; 1/4-20 X 1-1/2"L BTNHD	3	22216	H GROMMET; 1/2"ID, .75GD	1	KITGRMT03	O BOLT; M6-1 X 16MM HEX	2	07812
B WASHER; 1/4" LOCK	3	08198	I BOLT; M6-1.00 X 20MM C/H/A	4	07860	P WASHER; 6MM FLAT	2	08269
C WASHER; 1/4"ID X 5/8"OD	3	08275	J WASHER, M6 SPLIT LOCK	6	1-3025	Q DUCT; FRESH AIR (NC)	1	087445
D INTAKE TUBE; (ND)	1	087446	K FRAME; PRECLEANER, TOP	1	088053	R GASKET; 214	2	KIT214G
E HOSE CLAMP #48	2	08601	L INSERT; FOAM	1	971969	S ADAPTER; FILTER	1	KIT214FADA
F HOSE; 3"ID X 2"L	1	08711	M FRAME; PRECLEANER, BTM	1	088054	T HOSE CLAMP #104	1	08697
G VENT; 1/4 NPT TO 5/8"OD	1	082628	N AIRBOX; AIRCHARGER (NB)	1	087444	U AIR FILTER	1	RU-1044

If you need any assistance please call 1-800-858-3333 to speak with a representative in our Customer Service Center before returning the product.

NOTE: FAILURE TO FOLLOW INSTALLATION INSTRUCTIONS AND NOT USING THE PROVIDED HARDWARE MAY DAMAGE THE INTAKE TUBE, THROTTLE BODY AND ENGINE.

TO START:

1. Turn off the ignition and disconnect the negative battery cable.
NOTE: Disconnecting the negative battery cable erases pre-programmed electronic memories. Write down all memory settings before disconnecting the negative battery cable. Some radios will require an anti-theft code to be entered after the battery is reconnected. The anti-theft code is typically supplied with your owner's manual. In the event your vehicles anti-theft code cannot be recovered, contact an authorized dealership to obtain your vehicles anti-theft code.



2. Disconnect the inlet air temperature sensor electrical connection and disconnect the crank case vent line from the factory intake tube.



3. Remove the two bolts that secure the factory fresh air intake duct and then remove the duct from the vehicle.



4. Remove the front air filter housing mounting bolt and unhook the wiring harness from the housing.



5. Remove the rear air filter housing mounting bolt and loosen the hose clamp that secures the intake hose to the housing.



6. Remove the air filter housing from the vehicle.
NOTE: K&N Engineering, Inc., recommends that customers do not discard factory air intake.



7. Loosen the hose clamp that secures the intake hose to the plenum and then remove the hose from the vehicle.



8. Install the K&N Fresh air intake duct to the K&N air filter housing and secure with the provided hardware.



9. Remove the inlet air temperature sensor from the factory housing. Remove the O-Ring from the sensor and then install the sensor into the K&N intake tube using the provided grommet.



10. Install the provided crank case quick connect fitting into the K&N intake tube as shown.



11. Install the bolts and washers into the intake tube, then install the gasket. Now install the tube assembly onto the air box so the bolts pass through the three holes, then install the second gasket and filter adapter. Secure the complete assembly with the provided hardware.



12. Remove the factory air filter housing mounting post and install it onto the K&N air filter housing as shown.



13. Install the provided Coupler hose (08711) onto the K&N intake tube and then install the complete assembly into the vehicle. Secure the housing and fresh air duct with the factory hardware and the coupler with the hose clamps provided.



14. Reconnect the inlet air temperature sensor electrical connection and connect the crank case vent line to the fitting installed into the K&N intake tube.



15. Install the K&N air filter onto the filter adapter and secure with the provided hose clamp.



16. Install the filter lid assembly onto the air filter housing and secure with the provided hardware.



17. Reconnect the vehicle's negative battery cable. Double check to make sure everything is tight and properly positioned before starting the vehicle.

18. It will be necessary for all K&N® high flow intake systems to be checked periodically for realignment, clearance and tightening of all connections. Failure to follow the above instructions or proper maintenance may void warranty.

ROAD TESTING:

1. Start the engine with the transmission in neutral or park, and the parking brake engaged. Listen for air leaks or odd noises. For air leaks secure hoses and connections. For odd noises, find cause and repair before proceeding. This kit will function identically to the factory system except for being louder and much more responsive.

2. Test drive the vehicle. Listen for odd noises or rattles and fix as necessary.

3. If road test is fine, you can now enjoy the added power and performance from your kit.

4. K&N Engineering, Inc., requires cleaning the intake system's air filter element every 100,000 miles. When used in dusty or off-road environments, our filters will require cleaning more often. We recommend that you visually inspect your filter once every 25,000 miles to determine if the screen is still visible. When the screen is no longer visible some place on the filter element, it is time to clean it. To clean and re-oil, purchase our filter Recharger® service kit, part number 99-5050 or 99-5000 and follow the easy instructions.

NOT LEGAL FOR SALE OR USE ON ANY POLLUTION CONTROLLED MOTOR VEHICLE IN CALIFORNIA OR STATES ADOPTING CALIFORNIA EMISSION PROCEDURES.

See knfilters.com for CARB status on each part for a specific vehicle