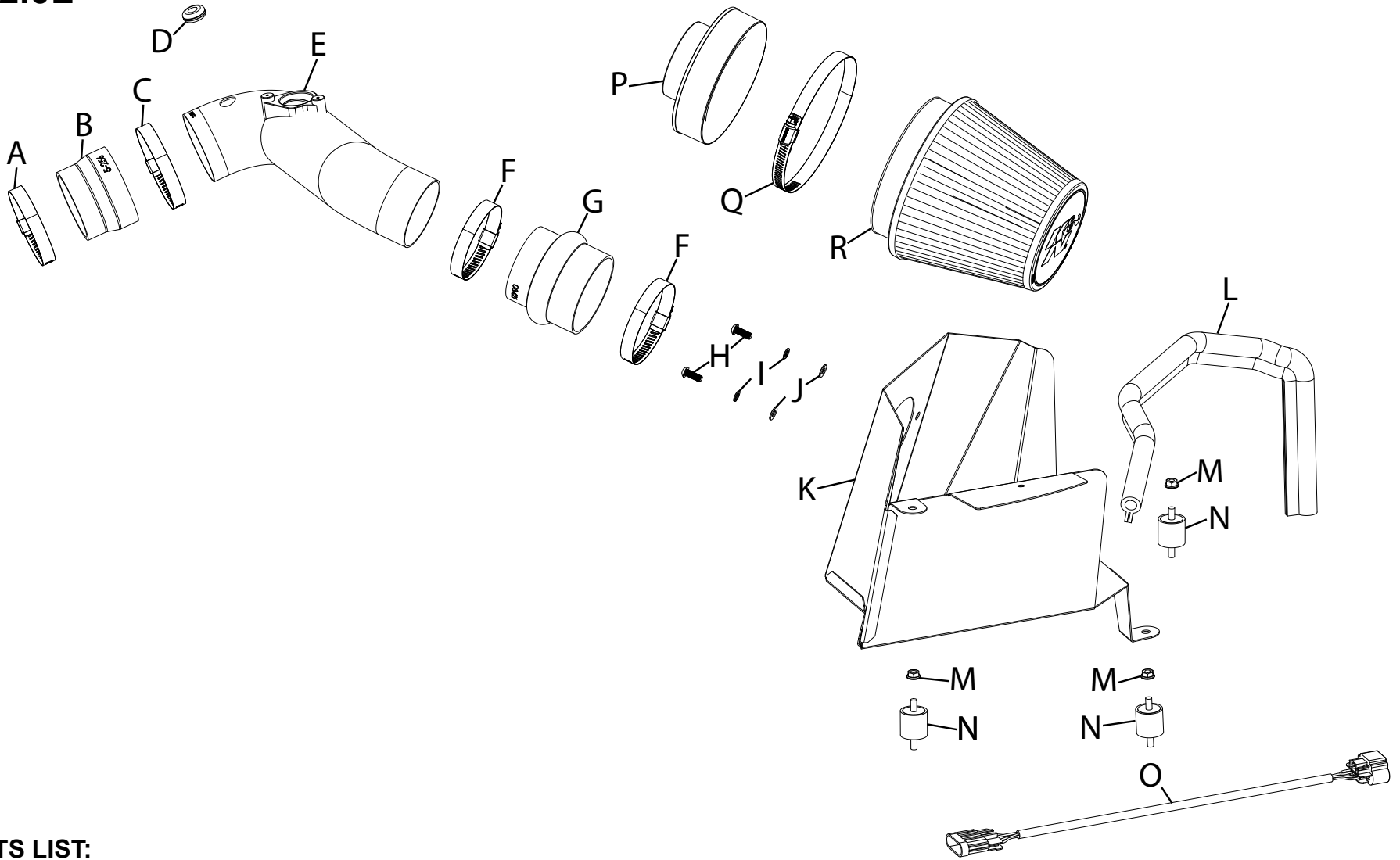


INSTALLATION INSTRUCTIONS

69-1510TC
HONDA
2022-24 Civic
L4-2.0L

TOOLS NEEDED:

- Flat Blade Screw Driver
- Phillips Screw Driver
- Ratchet
- Extension
- 10mm Socket
- Pliers
- Side Cutters



PARTS LIST:

Description	Qty.	Part #	Description	Qty.	Part #	Description	Qty.	Part #
A HOSE CLAMP; #40	1	08554	G HOSE; HUMP 3" TO 2.75"L	1	08421	M NUT; M6 HEX, SERRATED	3	444.460.04
B HOSE; ADAPTER 2.5"/2.75 x 2"	1	5-256	H BOLT; M6 X 1 X 16MM, BTNHD	2	07730	N MOUNT; RUBBER 1" X 6MM	3	1228599
C HOSE CLAMP; #48	1	08601	I WASHER; M6 SPLIT LOCK	2	1-3025	O EXTENSION HARNESS	1	21784
D GROMMET; 3/8"ID X 7/8"OD	1	08283	J WASHER; 6MM FLAT	2	08269	P ADAPTER; FILTER, 3"OD	1	21569
E TUBE; 2.75"OD X 15"L	1	25881C	K HEAT SHIELD	1	074555	Q HOSE CLAMP; #88	1	KITHS88
F HOSE CLAMP; #44 STAINLESS	2	08560	L EDGE TRIM; (23"L)	1	102495	R AIR FILTER	1	RU-5147

If you need any assistance please call 1-800-858-3333 to speak with a representative in our Customer Service Center before returning the product.

NOTE: FAILURE TO FOLLOW INSTALLATION INSTRUCTIONS AND NOT USING THE PROVIDED HARDWARE MAY DAMAGE THE INTAKE TUBE, THROTTLE BODY AND ENGINE.

TO START:

1. Turn off the ignition and disconnect the negative battery cable.
NOTE: Disconnecting the negative battery cable erases pre-programmed electronic memories. Write down all memory settings before disconnecting the negative battery cable. Some radios will require an anti-theft code to be entered after the battery is reconnected. The anti-theft code is typically supplied with your owner's manual. In the event your vehicles anti-theft code cannot be recovered, contact an authorized dealership to obtain your vehicles anti-theft code.



2. Release the spring clamp that secures the PCV pipe and then disconnect the pipe from the factory intake tube.



3. Loosen the hose clamps that secure the factory intake tube and then remove the tube from the vehicle.



4. Disconnect the mass air sensor electrical connection.



5. Remove the three bolts that secure the factory air filter housing and fresh air duct and then remove the assembly from the vehicle.



6. Install the three rubber mounted studs provided into the factory air box mounting locations.



7. Install the filter adapter into the heat shield using the provided hardware and then install the edge trim onto the heat shield as shown.



8. Install the heat shield onto the rubber mounted studs installed previously and secure with the provided hardware.



9. Install the hump coupler onto the filter adapter and secure with the provided hose clamp.



10. Install the straight coupler onto the throttle body and secure with the provided hose clamp.



11. Remove the mass air sensor from the factory housing and then install it into the K&N intake tube using the factory screws. Install the provided PCV grommet into the K&N intake tube as shown.



12. Install the K&N intake tube into the coupler, adjust for best fit and then secure with the provided hose clamps. Install the K&N badge onto the intake tube as shown.



13. Reconnect the mass air sensor electrical connection.



14. Install the K&N air filter onto the filter adapter and secure with the provided hose clamp.



15. Reconnect the vehicle's negative battery cable. Double check to make sure everything is tight and properly positioned before starting the vehicle.

16. It will be necessary for all K&N® high flow intake systems to be checked periodically for realignment, clearance and tightening of all connections. Failure to follow the above instructions or proper maintenance may void warranty.

ROAD TESTING:

1. Start the engine with the transmission in neutral or park, and the parking brake engaged. Listen for air leaks or odd noises. For air leaks secure hoses and connections. For odd noises, find cause and repair before proceeding. This kit will function identically to the factory system except for being louder and much more responsive.

2. Test drive the vehicle. Listen for odd noises or rattles and fix as necessary.

3. If road test is fine, you can now enjoy the added power and performance from your kit.

4. K&N Engineering, Inc., requires cleaning the intake system's air filter element every 100,000 miles. When used in dusty or off-road environments, our filters will require cleaning more often. We recommend that you visually inspect your filter once every 25,000 miles to determine if the screen is still visible. When the screen is no longer visible some place on the filter element, it is time to clean it. To clean and re-oil, purchase our filter Recharger® service kit, part number 99-5050 or 99-5000 and follow the easy instructions.

NOT LEGAL FOR SALE OR USE ON ANY POLLUTION CONTROLLED MOTOR VEHICLE IN CALIFORNIA OR STATES ADOPTING CALIFORNIA EMISSION PROCEDURES.

See knfilters.com for CARB status on each part for a specific vehicle