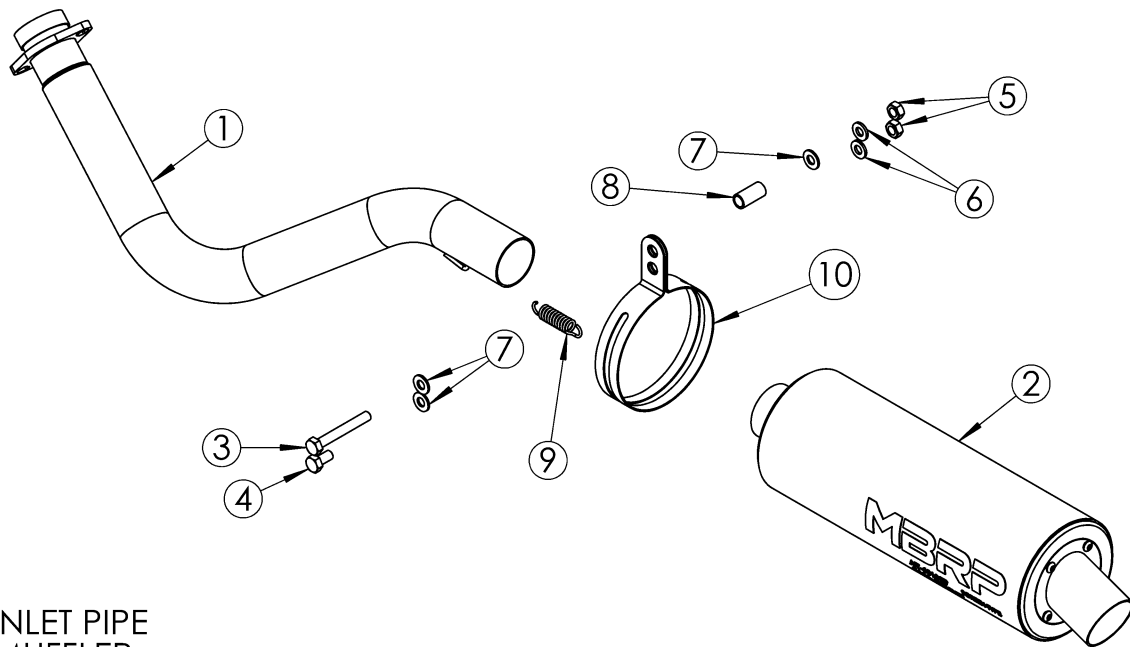


AT-6704SP

SPORT MUFFLER - SLIP-ON
2006-2007 ARTIC CAT PROWLER 650/700
SXS

MBRP



1. INLET PIPE
2. MUFFLER
3. HEX BOLT (M8 X 60MM)
4. HEX BOLT (M8 X 16MM)
5. HEX NUT (2 PCS)
6. WASHER (3 PCS)
7. LOCK WASHER (2 PCS)
8. SPACER
9. EXTENSION SPRING
10. MUFFLER BAND

PLEASE READ BEFORE STARTING INSTALLATION

While MBRP Inc. has made every effort to ensure that all components of this system are of superior quality and properly packaged, it is the installer's responsibility to ensure the following before removal of the factory exhaust:

- that ALL components shown above are present.
- that ALL mating components fit together.
- that there are no damaged components.
- that the system you have purchased is appropriate for your vehicle year, model and configuration.
- that the system will not interfere with any modifications previously installed or planned.
- that you have read and understand these instructions.

If you have any questions or are uncertain about any aspect of the installation of this system to your vehicle please contact your dealer before commencing installation.

MBRP

Removal of Stock Exhaust:

1. Remove the springs at the muffler inlet and remove the muffler.
2. Remove the 2 bolts at the head pipe flange (do not discard the bolts) and remove the head pipe. Retain the gasket for reuse.

Installation of MBRP Exhaust:

1. On the bench, slide the **Inlet Pipe** into the expanded end of the **Muffler** so that the **Spring** mounts line up on both.
2. Install the **Spring**.
3. Now slide the new exhaust system in from the rear of the bike until the **Inlet Pipe** slides into the engine exhaust port (reuse stock gasket). Reinstall the bolts into the inlet pipe flange, but do not fully tighten.
4. The **Muffler** and the **Inlet Pipe** can be twisted slightly so no part of the new exhaust touches the frame.
5. Hang the **Muffler** using the **Muffler band**, the **Spacer tube**, **M8 x 16 mm Hex bolt** and **M8 x 60mm Hex bolts** provided.
6. Fully tighten the bolts at the inlet flange.

Congratulations! You are ready to begin experiencing the improved performance and driving excitement of your MBRP Ltd. ATV Exhaust upgrade. We know you will enjoy your purchase.

Spark Arrestor Maintenance

In order to maintain optimal performance, the spark arrestor screen should be cleaned every 30-35 hours of use.

Clean-out Instructions:

Make sure the vehicle is cool before completing the clean-out procedure.

1. Using a 1/8" hex key, remove the 4 screws securing the outlet cap. (Figure 1).
2. Remove the outlet cap to expose the spark arrestor screen insert. (Figure 2)
3. Remove the screen insert. (Figure 3)
4. Using a wire brush, thoroughly brush the screen to remove residue. (Figure 4)
5. Replace the screen and cap.
6. Tighten the screws to 23 in-lbs (2.6 Nm).



Figure 1



Figure 2



Figure 3



Figure 4