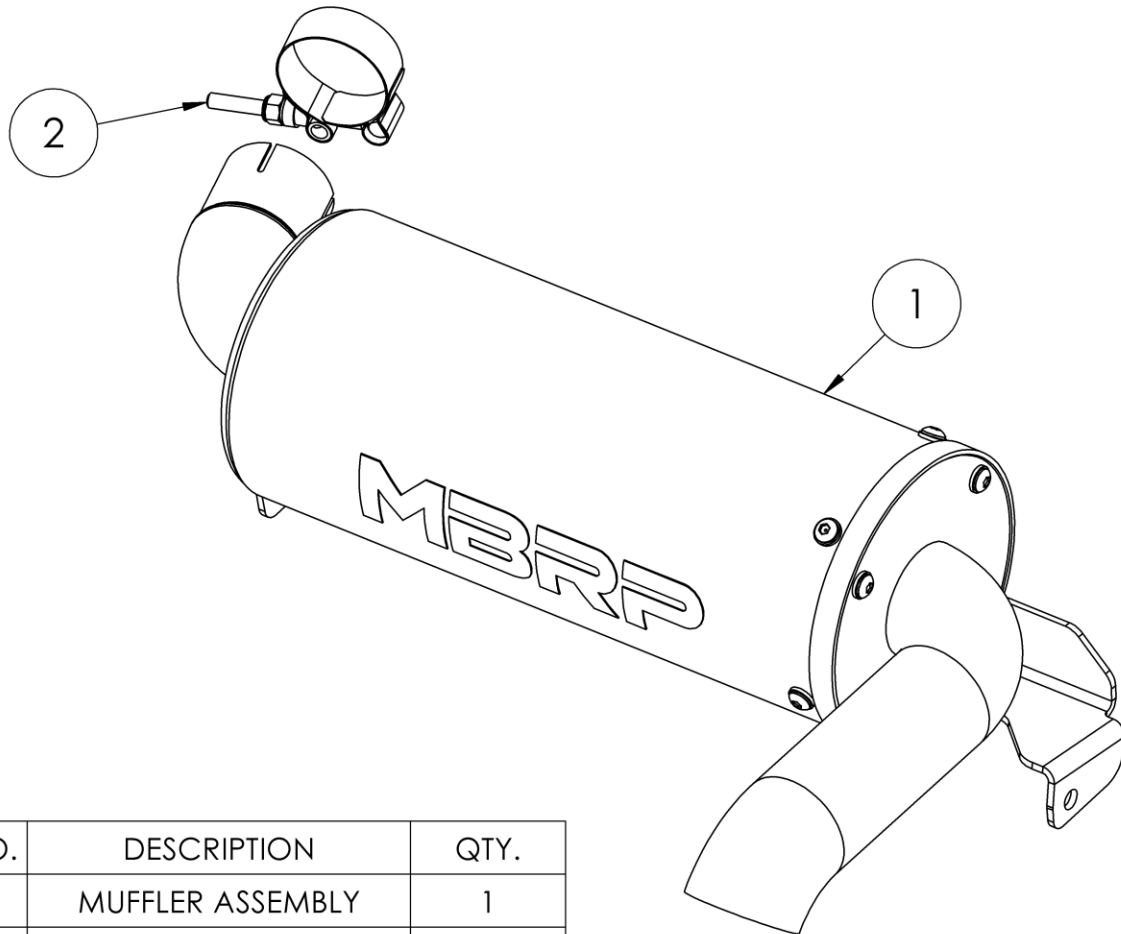


AT-9212PT

SLIP-ON MUFFLER ASSEMBLY, 5"
2016-UP CAN-AM DEFENDER HD10
(EXCL. 6X6 MODELS)
2016-2021 CAN-AM DEFENDER HD8
2022-UP CAN-AM DEFENDER HD9

MBRP®



ITEM NO.	DESCRIPTION	QTY.
1	MUFFLER ASSEMBLY	1
2	CLAMP	1

PLEASE READ BEFORE STARTING INSTALLATION

While MBRP Ltd. has made every effort to ensure that all components of this system are of superior quality and properly packaged, it is the installer's responsibility to ensure the following before removal of the factory exhaust:

- that ALL components shown above are present.
- that ALL mating components fit together.
- that there are no damaged components.
- that the system you have purchased is appropriate for your vehicle year, model and configuration.
- that the system will not interfere with any modifications previously installed or planned.
- that you have read and understand these instructions.

If you have any questions or are uncertain about any aspect of the installation of this system to your vehicle please contact your dealer before commencing installation.

MBRP

Removal of Stock Exhaust:



Figure 1

1. Loosen and remove the three (3) bolts securing the muffer tail pipe to the muffer body (remove the tail). Refer to Figure 1.
2. Loosen the clamp at the front pipe of the stock muffer.
3. Loosen and remove the bolts (2), nuts (2), and washers (2) securing the muffer base to the vehicle mounts. Keep the hardware as it will be reused to mount the new system.
4. Work the stock muffer straight back to free it from the front pipe, and then remove it.

Installation of MBRP Exhaust:

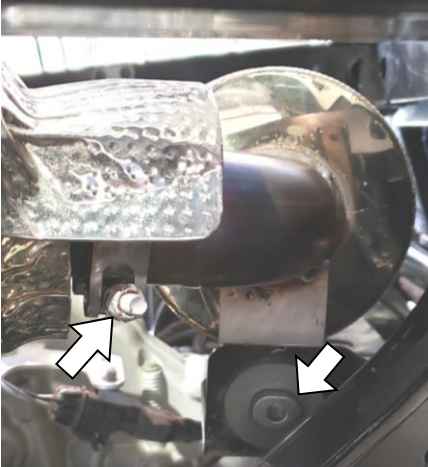


Figure 2

1. Place the **Clamp** onto the inlet of the **Muffer Assembly**, then put the **Muffer Assembly** into position and slide the inlet onto the front pipe. Slide the **Muffer Assembly** far enough onto the front pipe that the bracket on the outlet side can be brought to the *inside* of the vehicle mount, and then slide the **Muffer Assembly** back until the mounting holes line up. Refer to Figure 2.
2. Replace the stock hardware at each mounting location. Refer to Figure 3.
3. Ensure that the **Muffer Assembly** is properly aligned, and then tighten the **Clamp** on the muffer inlet and fully tighten the stock hardware at both of the mounting locations.

It is recommended that the muffer end cap screws be retightened after the first ride and checked periodically thereafter, tightening if necessary.

In order to maintain optimal performance, the spark arrestor screen should be cleaned after the first **3 hours of use**. Afterwards, clean every 30-35 hours of use. The spark arrestor can be accessed by removing the four (4) screws and outlet tip. Retighten the screws to 60in-lbs (6.8Nm) when reassembling.

Refer to Figure 4.

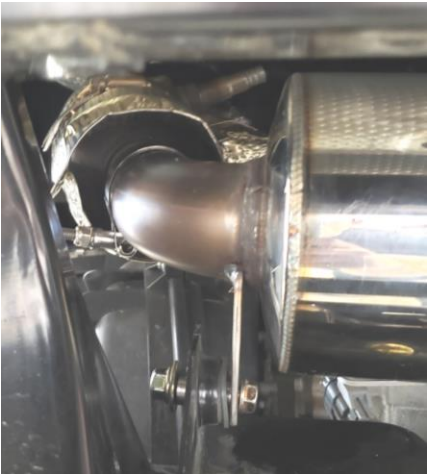


Figure 3

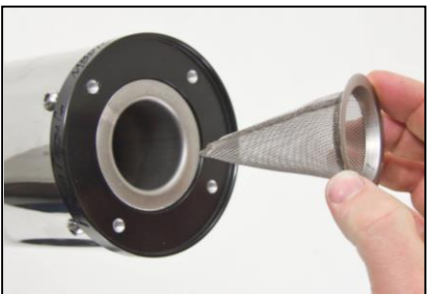


Figure 4



Congratulations! You are ready to begin experiencing the improved performance and driving excitement of your MBRP Ltd. Exhaust upgrade. We know you will enjoy your purchase.