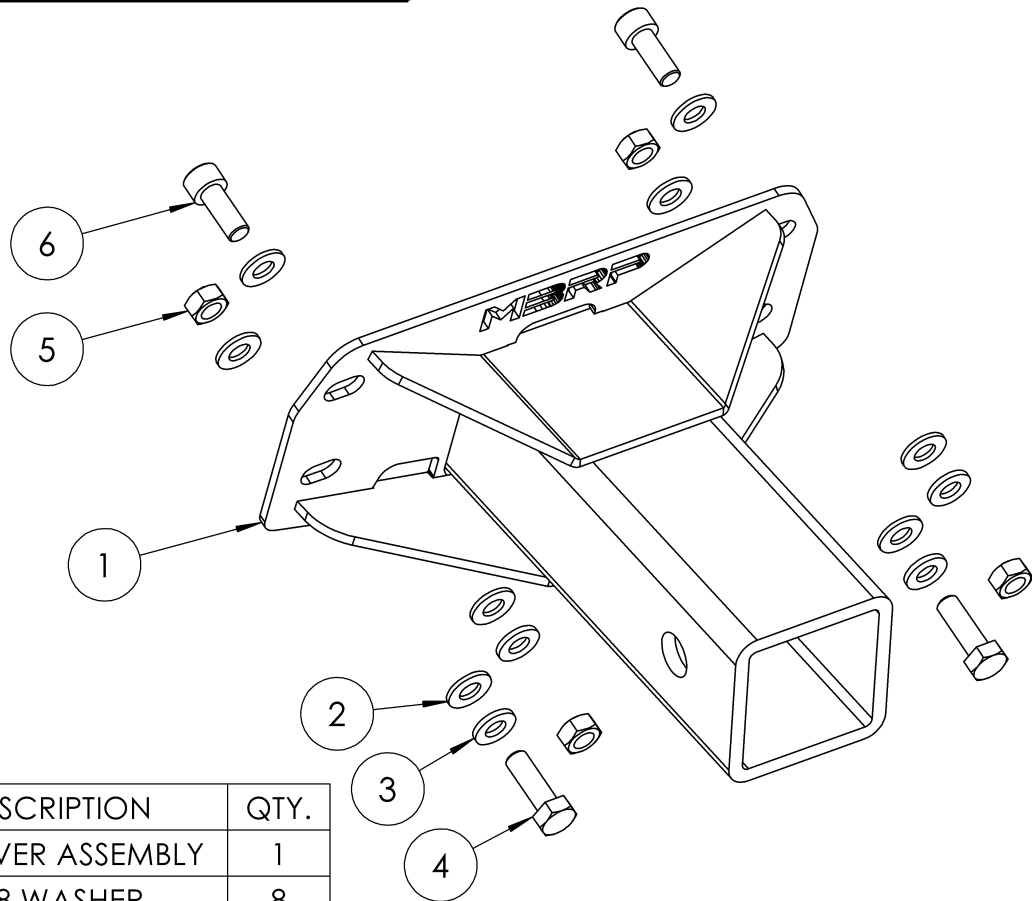


HT-9535

ASSEMBLY, FRONT HITCH RECEIVER
2018-UP POLARIS RANGER 1000 / XP 1000
2023-UP POLARIS RANGER EV

MBRP®



ITEM NO.	DESCRIPTION	QTY.
1	RECEIVER ASSEMBLY	1
2	M8 WASHER	8
3	LOCK WASHER	4
4	HEX BOLT (M8X25)	2
5	NUT	4
6	SHCS (M8 X 20)	2

Refer to this **LOT NUMBER** when contacting customer service: _____

PLEASE READ BEFORE STARTING INSTALLATION

While MBRP has made every effort to ensure that all components of this system are of superior quality and properly packaged, it is the installer's responsibility to ensure the following before removal of the factory exhaust:

- that ALL components shown above are present.
- that ALL mating components fit together.
- that there are no damaged components.
- that the system you have purchased is appropriate for your vehicle year, model and configuration.
- that the system will not interfere with any modifications previously installed or planned.
- that you have read and understand these instructions.

If you have any questions or are uncertain about any aspect of the installation of this system to your vehicle please contact your dealer before commencing installation.

MBRP

Installation of MBRP Hitch Receiver

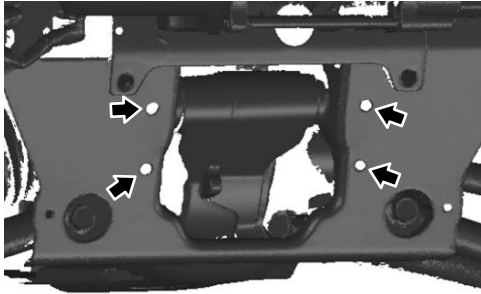


Figure 1



Figure 2

1. The **Receiver Assembly** can be installed without removing the front bumper from the vehicle, but it is recommended to remove it for easier access to the mounting hardware.

2. Install the two (2) **Socket Head Cap Screws (SHCS)** and **M8 Washers** in the upper mounting holes from the inside of the vehicle frame. Mount the **Receiver Assembly** onto the (2) screws using **Washers, Lock Washers, and Nuts**. Hand-tighten the **Nuts** to hold the **Receiver Assembly** in place. Refer to **Figure 1** and **Figure 2**.

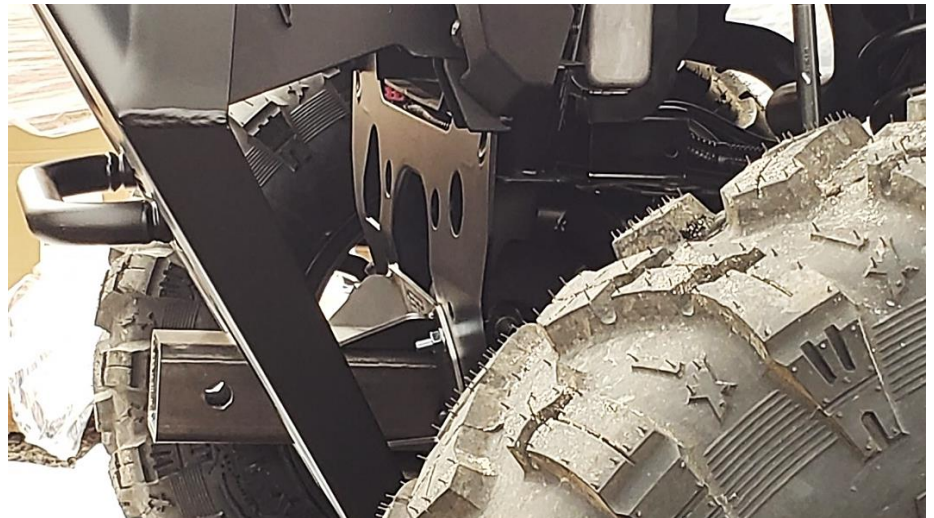
3. From the front of the **Receiver Assembly**, install the two (2) **Hex Bolts** with the **M8 Washers** and **Lock Washers** in the bottom mounting holes. Securing the **Hex Bolts** on the inside of the frame with a **Washer, and Nut**. Hand-tighten the **Nuts**. Refer to **Figure 2**.

*On older vehicles, it may be necessary to enlarge the lower frame holes by drilling with an 11/32" drill bit.

4. Verify that the **Receiver Assembly** is centred on the vehicle, then fully tighten the hardware (19ft-lbs/25Nm).

*On some vehicles the head of the **BHCS** on the driver-side of the vehicle may be obstructed by the threaded end of the gearcase mounting bolt. If more access is required for tightening, loosen and back out the mounting bolt as needed.

5. Reinstall the front bumper (if necessary).



Congratulations! Your **MBRP** Hitch Receiver install is complete.
We know you will enjoy your purchase!