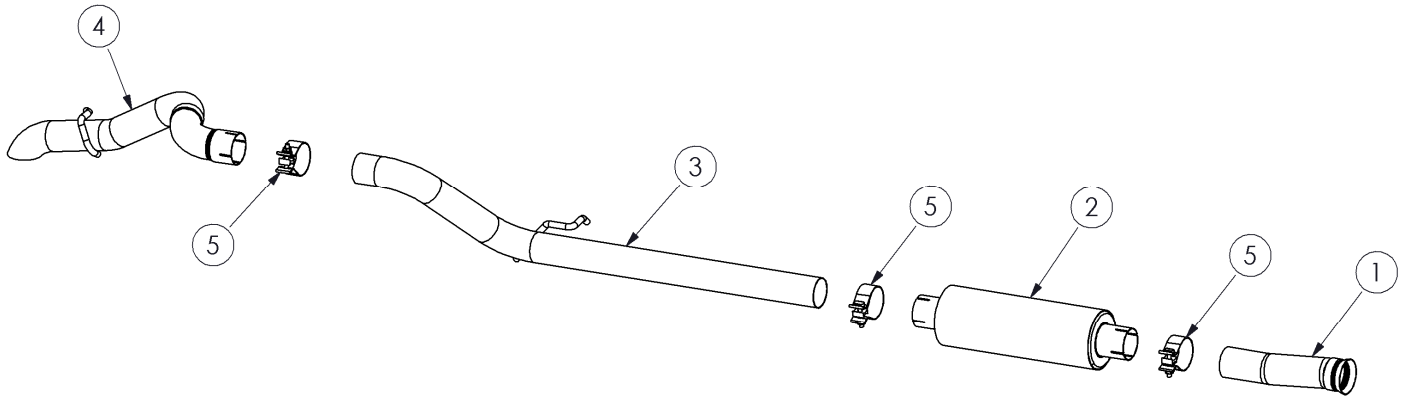


S5531

CAT BACK, OFFROAD, 2.5" SINGLE
REAR EXIT
2018 AND UP JEEP WRANGLER (JL)
4-DOOR/2-DOOR, 3.6L



1. FRONT PIPE
2. MUFFLER
3. EXTENSION PIPE
4. TAIL PIPE
5. 2.5" CLAMP (3 PCS)

PLEASE READ BEFORE STARTING INSTALLATION

While MBRP Inc. has made every effort to ensure that all components of this system are of superior quality and properly packaged, it is the installer's responsibility to ensure the following before removal of the factory exhaust:

- that ALL components shown above are present.
- that ALL mating components fit together.
- that there are no damaged components.
- that the system you have purchased is appropriate for your vehicle year, model and configuration.
- that the system will not interfere with any modifications previously installed or planned.
- that you have read and understand these instructions.

If you have any questions or are uncertain about any aspect of the installation of this system to your vehicle please contact your dealer before commencing installation.

Removal of Stock System:



Figure 1



Figure 2



Figure 3



Figure 4

1. Apply a penetrating lubricant liberally to all exhaust fasteners, hangers and rubber isolators.
2. Start to remove the exhaust by loosening the clamp just before the muffer on the driver's side. **Refer to Figure 1.**
3. The muffer can be removed by removing the hangers from the rubber isolators, one on each side. **Refer to Figure 2.**
4. Loosen the clamp attached to the extension pipe and remove the pipe from the stock isolator. **Refer to Figure 3.**
5. In order to reuse the stock clamp, pry back the small tab on the extension pipe so that the clamp can be removed. **Refer to Figure 3.**

Installation of MBRP Inc. Performance Exhaust

1. Install the **Front Pipe** using the stock clamp. Leave the clamp loose enough to rotate the pipe for adjustment. **Refer to Figure 4.**
2. Slide a **2 ½" Clamp** over the **Front Pipe** and then install the **Muffer** onto the **Front Pipe**. Orient the muffer such that the louvers (inside the muffer) are open to the front of the vehicle. See diagram.

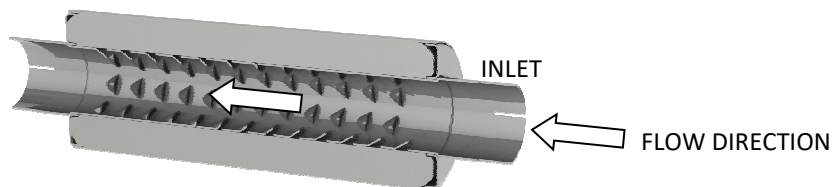




Figure 5

3. Slide a **2 ½" Clamp** onto the **Muffler** outlet. Install the **Extension Pipe** into the **Muffler**, then install the hanger into the factory rubber insulator. **Refer to Figure 5.**

Note: For the short wheelbase (2-DR) vehicle, the long end of the **Extension Pipe** must be shortened by 21.6". See diagram.

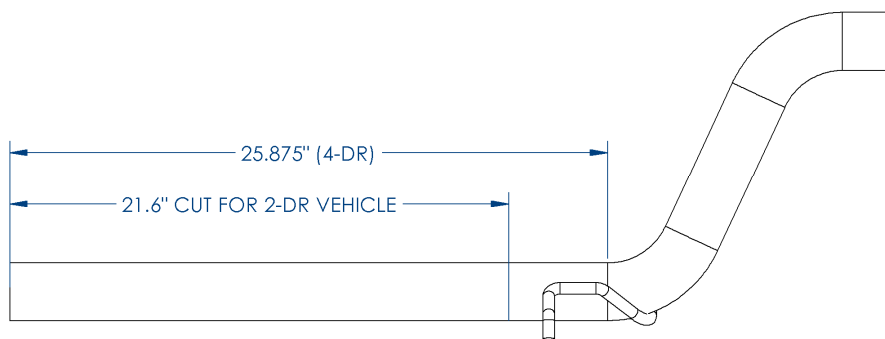


Figure 6

4. Remove the rubber insulator from the stock rear location (driver-side) and slide it onto the **Tail Pipe** hanger. Slide a **2 ½" Clamp** onto the **Extension Pipe** and install the **Tail Pipe**. Reinstall the rubber insulator back onto the stock support. **Refer to Figure 6.**

5. Align the exhaust as required. Starting at the front of the exhaust, tighten all clamps and connections.

6. Check along the whole length of the exhaust system to ensure that there is adequate clearance around any fuel and brake lines or any wiring. If any interference is detected relocate or adjust.

Congratulations! You are ready to begin experiencing the improved power, sound and driving experience of your MBRP Inc. performance exhaust system. We hope you enjoy your purchase.