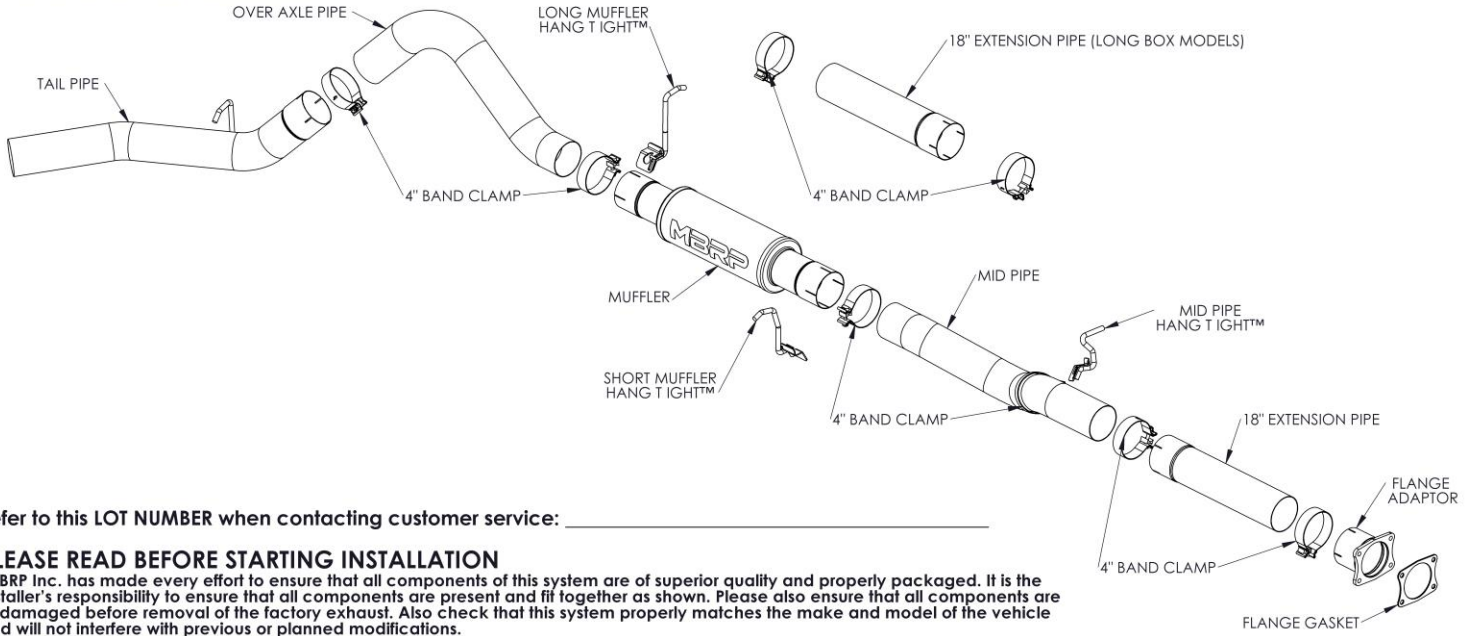


S6000P

2001-2005 CHEV/GMC 2500/3500, EXTENDED CAB/CREW CAB, 6.6L DURAMAX, CAT-BACK, 4.0" SINGLE SIDE

MBRP

September 15, 2023



Refer to this LOT NUMBER when contacting customer service: _____

PLEASE READ BEFORE STARTING INSTALLATION

MBRP Inc. has made every effort to ensure that all components of this system are of superior quality and properly packaged. It is the installer's responsibility to ensure that all components are present and fit together as shown. Please also ensure that all components are undamaged before removal of the factory exhaust. Also check that this system properly matches the make and model of the vehicle and will not interfere with previous or planned modifications.

Removal of Stock System:

1. Apply a penetrating lubricant liberally to all exhaust fasteners, hangers and rubber insulators.
2. Using a 15mm socket or wrench, disconnect the factory exhaust system at the four-bolt flange located behind the catalytic converter. If the vehicle is not equipped with a catalytic converter disconnect the four-bolt flange located approximately under the passenger side seat. **Do not discard the nuts from the flange as they are required for the installation.**
3. Remove the exhaust system from the rubber insulators and remove it from under the vehicle. If a hoist is not available, it may be necessary to cut the tail pipe behind the muffler for removal of the system.

Installation of MBRP Inc. Performance Exhaust:

1. Place the **Flange Gasket** provided over the studs located on the factory four bolt flange. Attach the **Flange Adaptor** to the four-bolt flange using the original nuts that you retained.
2. Install one of the two **18" Extension Pipe** into the **Flange Adaptor** and loosely install a **4" Band Clamp**. For extended cab trucks, approximately 9½" needs to be cut off the end of the 18" Extension Pipe. Next position the **Mid Pipe** bend around & under the cross member. Rotate the pipe to position the bend toward the driveshaft. (Installation tip: Temporarily hang the Muffler, Over Axle Pipe and the Tail Pipe in place and measure to the four-bolt flange to verify the length required).
3. Position **Mid Pipe** as shown and loosely install the **Mid Pipe Hang Tight™** (See figure 1 for Hang Tight instructions and Figure 2 for hanger clarification) as shown in the illustration above attach to existing rubber isolators. This will support the Mid Pipe during the Muffler installation.

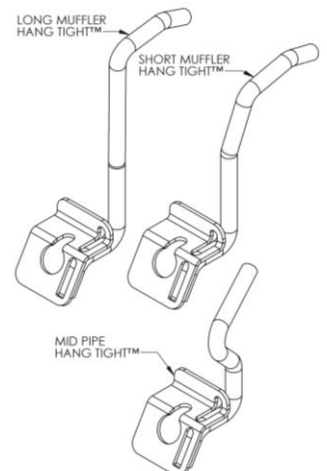
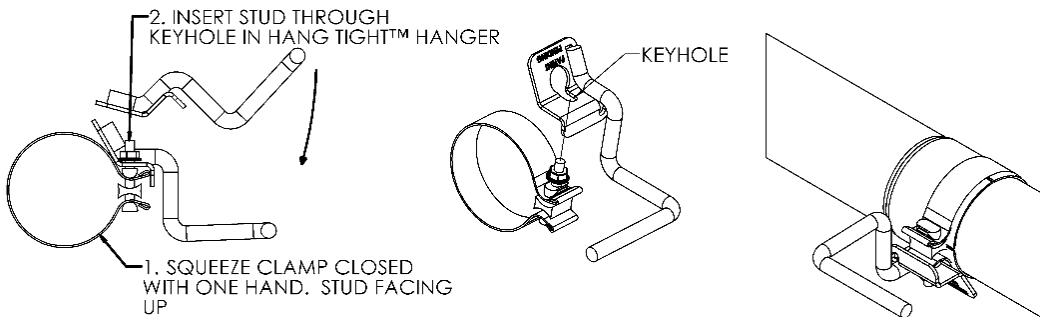


Figure 2

Figure 1 (Hang Tight™ Hanger not exactly as shown)

3. ROTATE HANG TIGHT™ HANGER TO SEAT THREADED STUD IN SLOT. BE SURE THE NUT IS ABOVE THE BRACKET

MBRP[®]

4. Crew cab long bed & extended cab long bed trucks require the use of the second **18" Extension Pipe** provided. This is to be positioned between the **Muffler** and the **Mid Pipe**. The second **18" Extension Pipe** is not required with short box trucks. Install the **Short Muffler Hang Tight™** and **Muffler** onto the **Extension Pipe** or **Mid Pipe**.
5. Install the **Long Muffler Hang Tight™** at the connection between the **Muffler** and the **Over Axle Pipe** into the existing rubber isolator at this position.
6. Install the **4" Band Clamp** and **Tail Pipe** to the **Over Axle Pipe** and then attach to the **Muffler** Outlet from the rear of the vehicle. Install the **tail pipe** hanger into the existing rubber isolator. Adjust for best axle clearance and **Tail Pipe** exit location to complete.
7. Carefully align the system and tip. Align the edge of each band clamp with the edge of the joint it is connecting. Tighten all hardware and clamps, starting at the front and working rearward to secure the system. Check along the full length of the exhaust system to ensure there is adequate clearance for fuel lines, vent lines, brake lines, frame, bodywork, suspension and any wiring, etc. If there is any interference detected, relocate or adjust to provide adequate clearance.
8. Ensure all clamp connections are secure and components are unable to rotate or slide. Band clamps require approximately 45 lb-ft (60 Nm) of torque. Verify clearances, system security and band clamp torque after 30-60 miles (50-100 km) of driving.

Congratulations! You are ready to begin experiencing the improved power, sound and driving experience of your **MBRP** Ltd. performance exhaust system. We know you will enjoy your purchase.