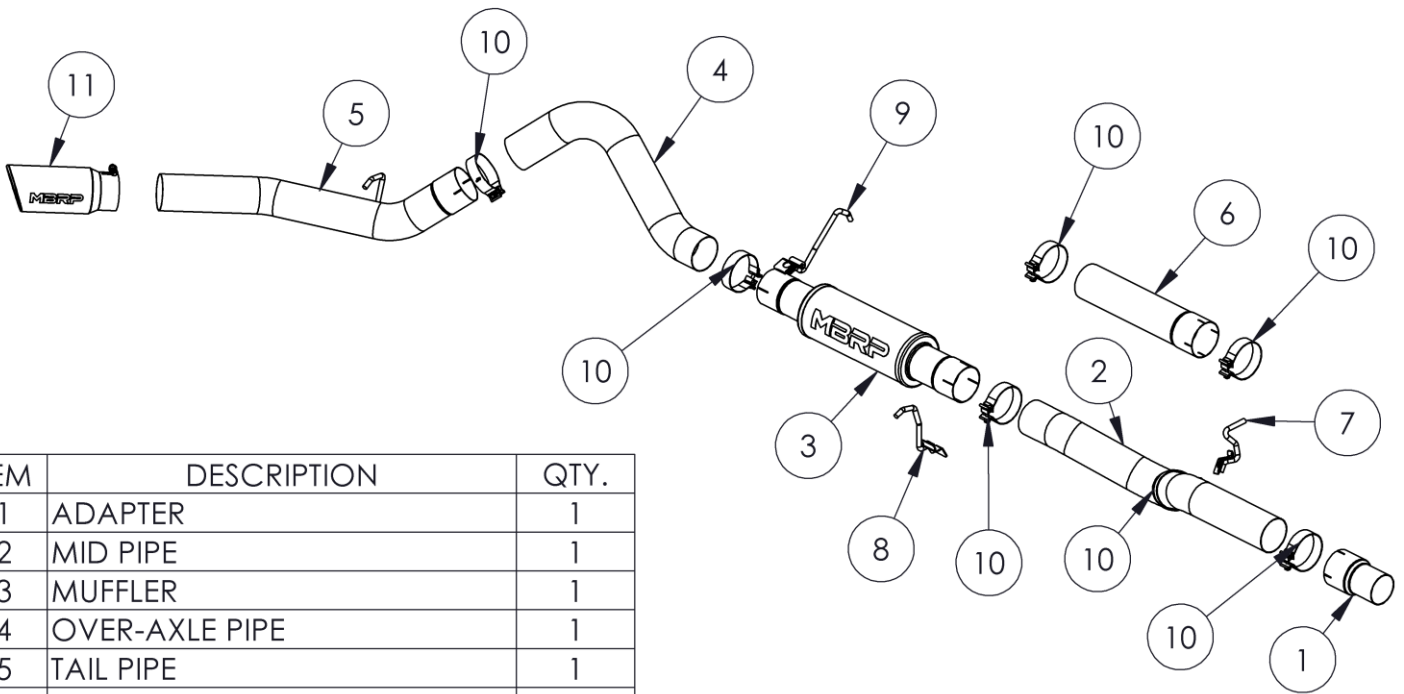


S6012

2006-2007 CHEV/GMC 2500/3500,
EXTENDED CAB/CREW CAB, 6.6L DURAMAX,
Cat-Back, 4.0" Single Side, ,

MBRP®



ITEM	DESCRIPTION	QTY.
1	ADAPTER	1
2	MID PIPE	1
3	MUFFLER	1
4	OVER-AXLE PIPE	1
5	TAIL PIPE	1
6	18" EXTENSION PIPE	1
7	MID PIPE HANG TIGHT™	1
8	SHORT MUFFLER HANG TIGHT™	1
9	LONG MUFFLER HANG TIGHT™	1
10	4" BAND CLAMP	7
11	EXHAUST TIP	1

Refer to this LOT NUMBER when contacting customer service: _____

PLEASE READ BEFORE STARTING INSTALLATION

While MBRP has made every effort to ensure that all components of this system are of superior quality and properly packaged, it is the installer's responsibility to ensure the following before removal of the factory exhaust:

- that ALL components shown above are present.
- that ALL mating components fit together.
- that there are no damaged components.
- that the system you have purchased is appropriate for your vehicle year, model and configuration.
- that the system will not interfere with any modifications previously installed or planned.
- that you have read and understand these instructions.

If you have any questions or are uncertain about any aspect of the installation of this system to your vehicle please contact your dealer before commencing installation.

Removal of Stock System:

1. Apply a penetrating lubricant liberally to all exhaust fasteners, hangers and rubber insulators.
2. Loosen the band clamp behind the catalytic converter and disconnect the factory exhaust system.
3. Remove the exhaust system from the rubber insulators and remove from under the vehicle. If a hoist is not available for use, it may be necessary to cut the tail pipe behind the muffler for removal of the system.

Installation of MBRP Inc. Performance Exhaust:

1. Place the **Adapter** provided into the factory band clamp located behind the catalytic converter. Using a **4.0" Band Clamp**, loosely install the **Mid Pipe** into the **Adapter** placing the bend under and around the cross member. Rotate the **Mid Pipe** to position the bend towards the driveshaft. **See Figure 1.** The **Extension Pipe** does not require cutting to fit crew cab trucks. For extended cab trucks, approximately 9 ½" needs to be cut off the end with the longest section of pipe. (**Installation tip:** Temporarily hang the **Muffler, Over Axle Pipe, and Tailpipe** in place and measure to the **Adapter** to verify the length required).
2. Using a **4.0" Band Clamp**, loosely install the **Mid Pipe** as shown and loosely install the **Mid Pipe Hang Tight™** (see figure 5 for hang tight instructions and figure 4 for hang tight clarification). **See Figure 2.** This will support the **Extension Pipe** during the **Muffler** installation.
3. Crew cab & extended cab long box trucks require the use of the **18" Extension Pipe** provided. This is to be positioned between the **Muffler** and **Mid Pipe**. The **18" Extension Pipe** is not required with short box trucks.
4. Install the **Short Muffler Hang Tight™** and **Muffler** onto the **Extension Pipe**. **See Figure 3.**



Figure 1



Figure 2

(Hanger may not be as shown)



Figure 3

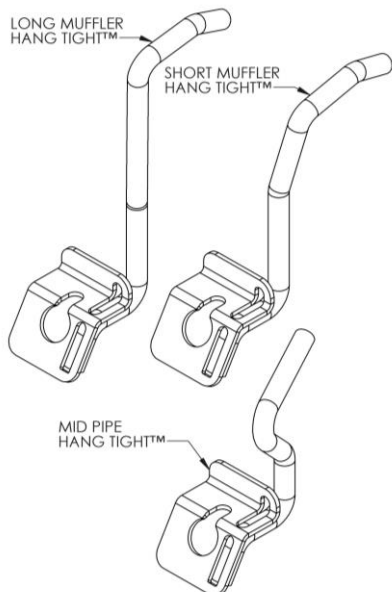


Figure 4

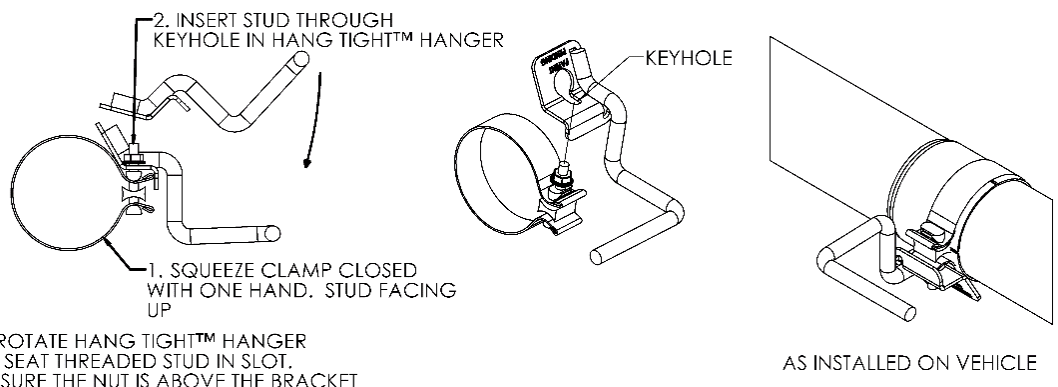


Figure 5 (Hang Tight™ Hanger not exactly as shown)

MBRP®



Figure 6



Figure 7

5. Install the **Long Muffler Hang Tight™** at the connection between the **Muffler** and the **Tailpipe** and into the OEM rubber hanger at this position. **See Figure 6.**
6. Slide the **4" Band Clamp** onto the **Tailpipe** Then install onto the **Over Axle Pipe** and attach to the **Muffler Outlet** from the rear of the vehicle. Install the tail pipe hanger into the OEM hanger; adjust for best axle clearance and **Tailpipe** exit location to complete. **See Figure 7.**
7. Carefully align the system and tip. Align the edge of each band clamp with the edge of the joint it is connecting. Tighten all hardware and clamps, starting at the front and working rearward to secure the system. Check along the full length of the exhaust system to ensure there is adequate clearance for fuel lines, vent lines, brake lines, frame, bodywork, suspension and any wiring, etc. If there is any interference detected, relocate or adjust to provide adequate clearance.
8. Make Ensure all clamp connections are secure and components are unable to rotate or slide. Band clamps require approximately 45 lb-ft (60 Nm) of torque. Verify clearances, system security and band clamp torque after 30-60 miles (50-100 km) of driving.
9. Install and adjust the **Tip** to suit.



Congratulations! You are ready to begin experiencing the improved power, sound and driving excitement of your **MBRP** Ltd. performance exhaust system. We know you will enjoy your purchase.