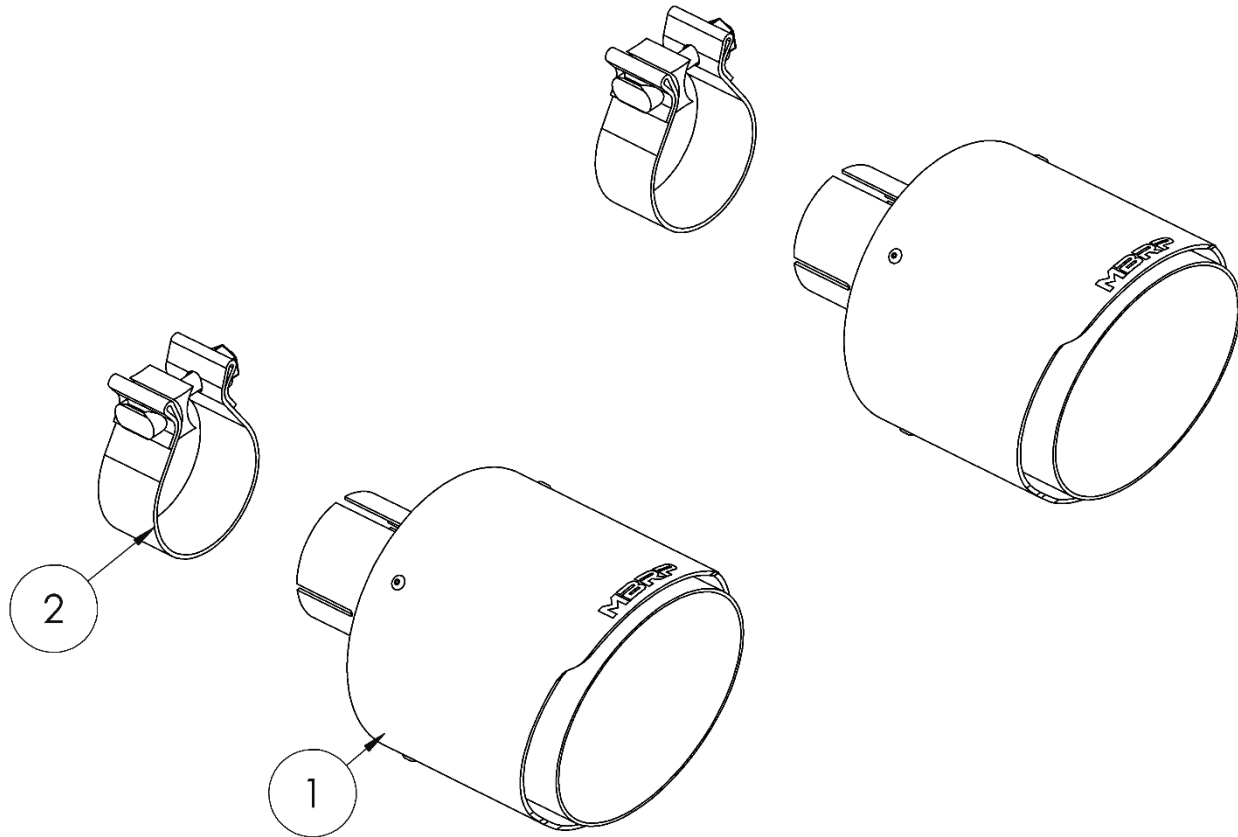


T5202CF

2017-UP SUBARU BRZ/TOYOTA GR86
DUAL TIP EXT

MBRP®



ITEM	DESCRIPTION	QTY
1	TIP	2
2	2.17" CLAMP	2

PLEASE READ BEFORE STARTING INSTALLATION

While MBRP has made every effort to ensure that all components of this system are of superior quality and properly packaged, it is the installer's responsibility to ensure the following before removal of the factory exhaust:

- that ALL components shown above are present.
- that ALL mating components fit together.
- that there are no damaged components.
- that the system you have purchased is appropriate for your vehicle year, model and configuration.
- that the system will not interfere with any modifications previously installed or planned.
- that you have read and understand these instructions.

If you have any questions or are uncertain about any aspect of the installation of this system to your vehicle please contact your dealer before commencing installation.

MBRP

Removal of Stock System



Figure 1

1. Apply a penetrating lubricant to the OEM 10mm hex bolt located on the bottom of the exhaust tip. **Refer to Figure 1.**
2. Loosen the OEM hex bolt until the tip slides off the tail pipe. Repeat steps for the other side. **Refer to Figure 1.**

Installation of MBRP Performance Exhaust



Figure 2

1. Using the **2.17" Band Clamps**, loosely install each **tip** onto the OEM tail pipes and ensure the large slot slides over the pipe notch. Do not fully tighten. **Refer to Figure 2.**
2. Once both tips are onto the tail pipes, adjust the rotation and length. Once you are satisfied with the position of the tips, tighten the 2.17 band clamps until the tips cannot move. **Refer to Figure 3.**



Figure 3



Congratulations! You are ready to begin experiencing the improved appearance of your **MBRP** Exhaust Tips. We know you will enjoy your purchase!