



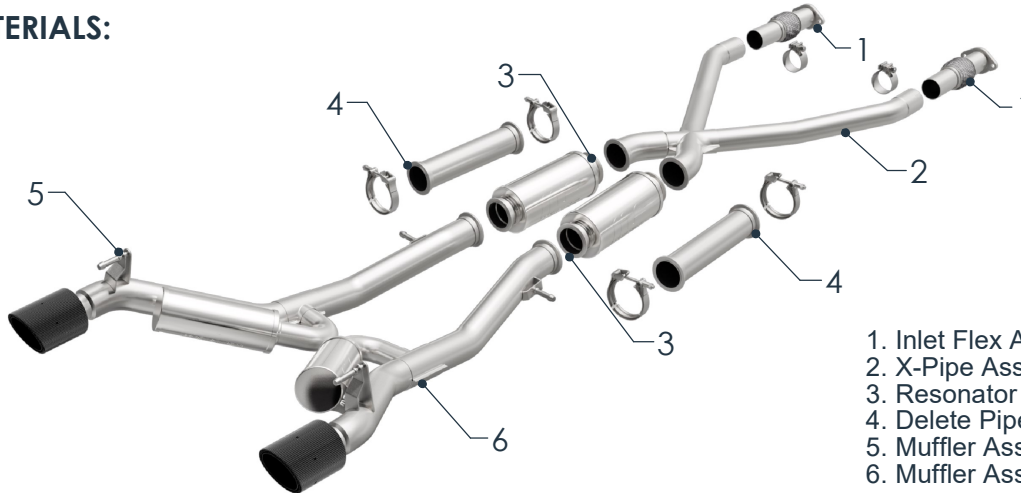
INSTALLATION INSTRUCTIONS



NISSAN Z 3.0L xMOD

PART NO. 19593

BILL OF MATERIALS:



- 1. Inlet Flex Assembly [2]
- 2. X-Pipe Assembly
- 3. Resonator Assembly [2]
- 4. Delete Pipe Assembly [2]
- 5. Muffler Assembly D/S
- 6. Muffler Assembly P/S



WEAR SAFETY GLASSES



READ INSTRUCTIONS THOROUGHLY BEFORE INSTALLING PRODUCT



SPRAY LUBRICANT

To ease removal of existing exhaust components (especially on older vehicles) spray penetrating lubricant on all fasteners and hangers/insulators that will be loosened or removed and let soak before disassembly.

HARDWARE KIT:

- 1. [2] 2.50" Torca Clamp
- 2. [6] 3.00" V-Band Clamp

MINIMUM REQUIRED TOOLS:



15mm



Hanger Tool (Or Pry Bar)

MAGNAFLOW RECOMMENDS PROFESSIONAL INSTALLATION ON ALL THEIR PRODUCTS



WARNING: When working on, under, or around any vehicle exercise caution. Please allow the vehicle's exhaust system to cool before removal, as exhaust system temperatures may cause severe burns. If working without a lift always consult vehicle manual for correct lifting specifications. Always wear safety glasses and ensure a safe work area. Serious injury or death could occur if safety measures are not followed.

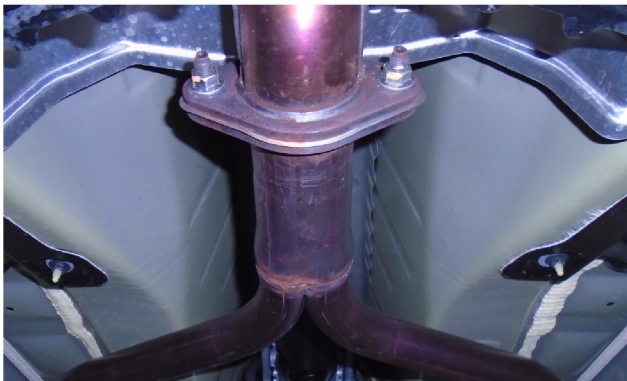
ATTENTION: Always install any supplied band or V-band clamps to the proper torque specifications of 40-45 ft-lbs for band clamps and 70 in-lbs for V-band clamps. Over tightening will result in the clamp breaking and will NOT be warranted by MagnaFlow.

MAGNAFLOW: 1901 Corporate Centre Dr - Oceanside, CA 92056 | 1(800)990-0905
Technical Support: 1(800) 959-9226 | Email: moreinfo@magnaflow.com

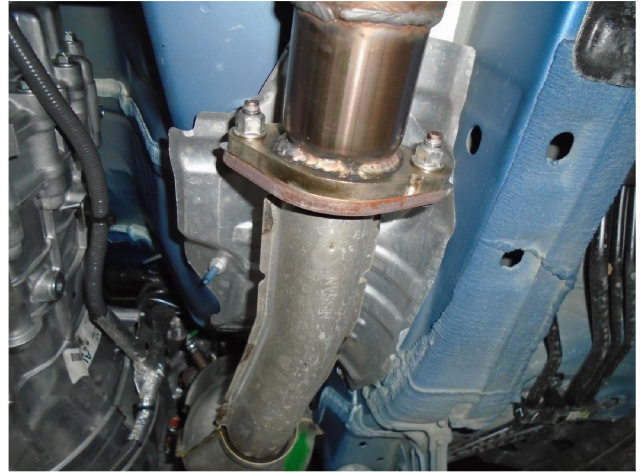
INSTALLATION INSTRUCTIONS



Step 1. Begin removal of the OEM exhaust by un-fastening the inlet pipes from the catalytic converters at the flange junctions.



Step 2. Remove the fasteners from the flanges at the mid-point of the exhaust and the two locations at the Muffler Assembly. With the exhaust supported work rearward disengaging the hangers from the rubber insulators (do not damage the insulators or inlet flange gaskets as they will be re-used to install the new MagnaFlow exhaust).



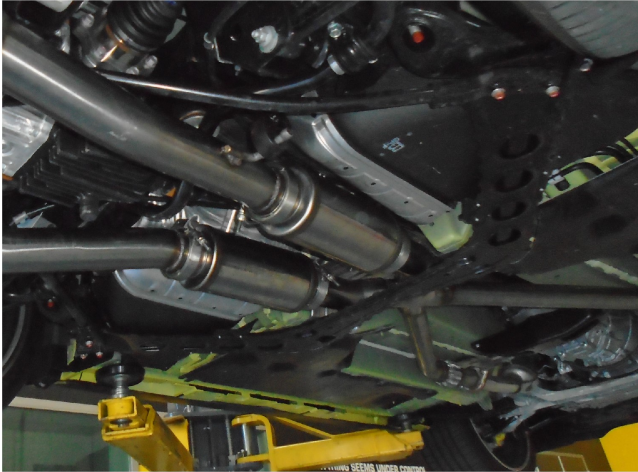
Step 3. Begin installing the new exhaust by loosely attaching the Inlet Flex Assemblies to the catalytic converter outlets using the OEM gaskets and fasteners

NOTICE; All subsequent attachment points should be fastened loosely until the complete system is installed.



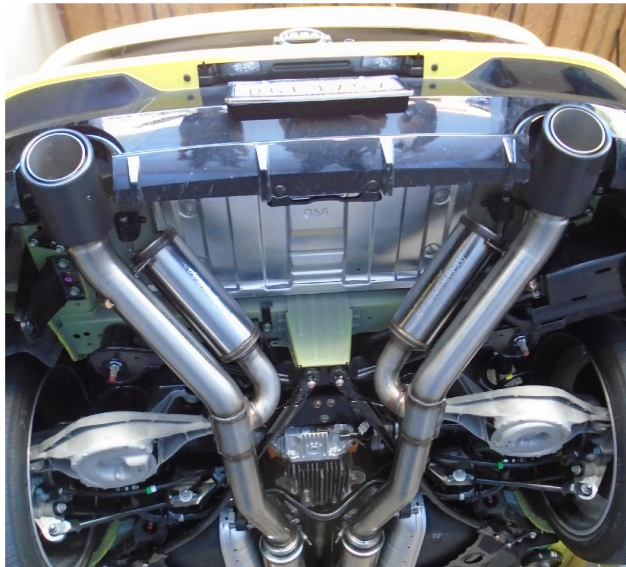
Step 4. Next, attach the X-Pipe to the Inlet Flex Assemblies with the supplied 2.50" band clamps.

INSTALLATION INSTRUCTIONS



Step 5. MagnaFlow supplies this kit with two different sound options;
Muffler Modules: The supplied 5x11 Resonators provide a smooth tuned sound
xTREME Delete Modules: The Delete Pipes are louder and raspier

Once a configuration is chosen attach the assembly to the flange ring outlet of the X-Pipe Assembly



Step 6. Install the Resonator Assemblies using the supplied V-Band clamp. Attach the welded hangers to the rubber insulators and position the tips into the rear valance.



Step 7: Once a final position has been chosen for the new exhaust system, evenly tighten all clamps from front to rear using the torque specifications on page one of these instructions. Inspect all fasteners after 25-50 miles for operation and re-tighten if necessary.

IMPORTANT



Need assistance?

Scan code using your mobile device to visit our help center for instant answers to common questions

Warranty &

Returns

For inquiries about warranty and returns, or to start a return, contact MagnaFlow directly:



+1 800 959 9226



moreinfo@magnaflow.com



magnaflow.com/pages/contact-us



magnaflow.com/a/returns



MagnaFlow
3937 Ocean Ranch Blvd
Oceanside, CA 92056

© MagnaFlow is a registered trademark of Car Sound Exhaust System, Inc.
All rights reserved.
ISO 9001:2008 Certified — Registered since 2000

v2021.01_08.20