

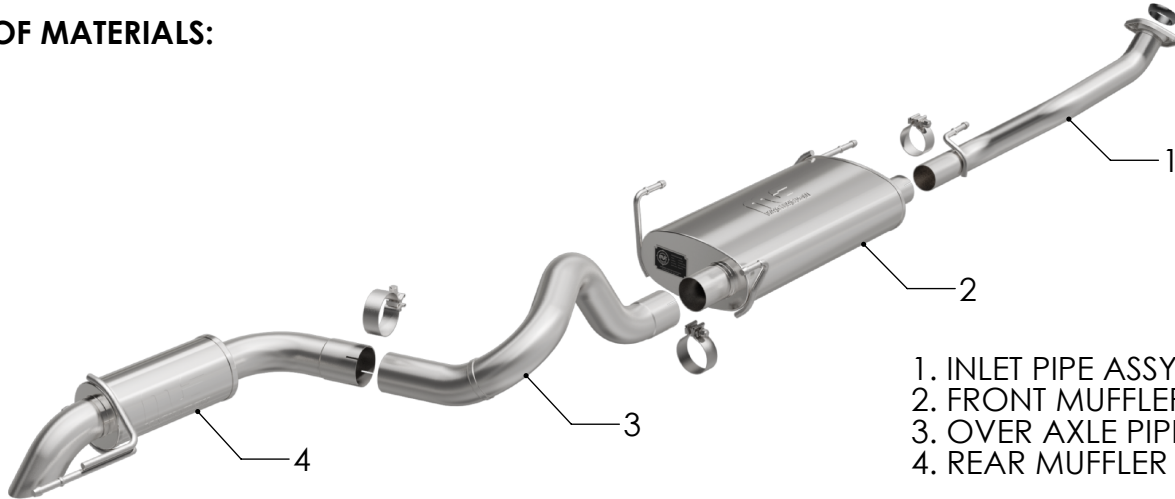


INSTALLATION INSTRUCTIONS



TOYOTA LANDCRUISER OVERLAND | PART NO. 19679

BILL OF MATERIALS:



- 1. INLET PIPE ASSY.
- 2. FRONT MUFFLER ASSY.
- 3. OVER AXLE PIPE.
- 4. REAR MUFFLER ASSY..



WEAR SAFETY GLASSES



READ INSTRUCTIONS THOROUGHLY BEFORE INSTALLING PRODUCT



SPRAY LUBRICANT

To ease removal of existing exhaust components (especially on older vehicles) spray penetrating lubricant on all fasteners and hangers/insulators that will be loosened or removed and let soak before disassembly.

HARDWARE KIT:

- 1.[1] 2.50" Torca Clamp
- 2.[2] 3.00" Torca Clamp
- 3.[1] Gasket

MINIMUM REQUIRED TOOLS:



13mm



Hanger Tool (Or Pry Bar)

MAGNAFLOW RECOMMENDS PROFESSIONAL INSTALLATION ON ALL THEIR PRODUCTS



WARNING: When working on, under, or around any vehicle exercise caution. Please allow the vehicle's exhaust system to cool before removal, as exhaust system temperatures may cause severe burns. If working without a lift always consult vehicle manual for correct lifting specifications. Always wear safety glasses and ensure a safe work area. Serious injury or death could occur if safety measures are not followed.

Vehicles with deployable bed step will require modification to the system, or the bed step such as removal, to avoid heat damage

ATTENTION: Always install any supplied band or U-bolt clamps to the proper torque specifications of 40-45 ft-lb for band clamps and 30-35 ft-lb for U-bolt clamps. Over tightening will result in the clamps breaking and will NOT be warranted by MagnaFlow.

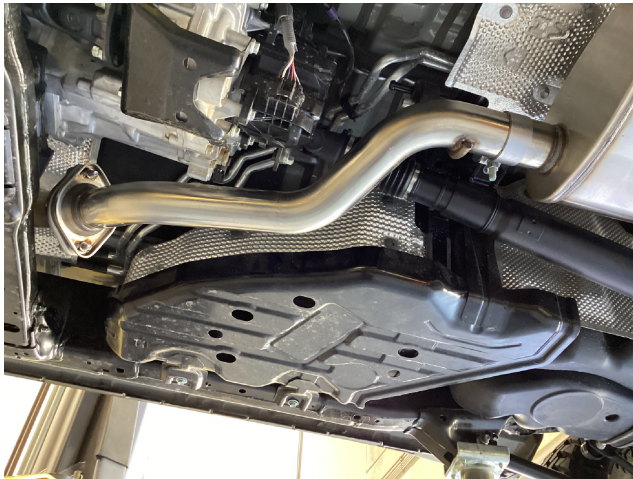
MAGNAFLOW: 1901 Corporate Centre Dr - Oceanside, CA 92056 | 1(800)990-0905

Technical Support: 1(800) 959-9226 | Email: moreinfo@magnaflow.com

INSTALLATION INSTRUCTIONS



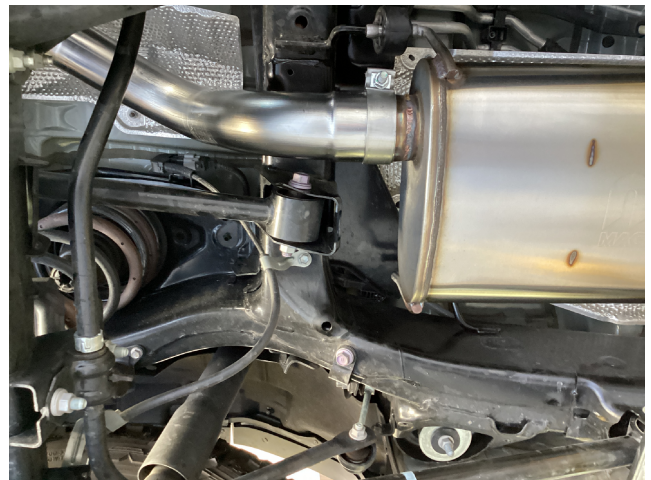
Step 1: To remove the OE exhaust system, remove the fasteners at the flange inlet at the front of the vehicle. Working front to rear disengage the hangers from the rubber insulators and drop the system. (Retain the Inlet fasteners, gasket and rubber insulators as they will be used to install your new system.)



Step 2: Begin Installation of the new MagnaFlow system by attaching Inlet Assembly using the OE fasteners and supplied gasket. **(Leave all clamps and fasteners loose until final adjustment for fit.)**



Step 3: Next install the Muffler Assembly using the supplied 2.50" clamp and fit the hangers into the rubber insulators.



Step 4: Next, attach the Overaxle pipe to the Muffler Assembly using the supplied 3.00" clamp and fit the hangers into the rubber insulators.

INSTALLATION INSTRUCTIONS



Step 5: Install the rear Muffler Assembly to the Over Axle Pipe fitting the hanger into the rubber Insulator.



Step 6: Once a final position has been chosen for the new exhaust system, evenly tighten all clamps from front to rear using the torque specifications on page one of the instructions. Inspect all fasteners after 25-50 miles of operation and re-tighten if necessary.