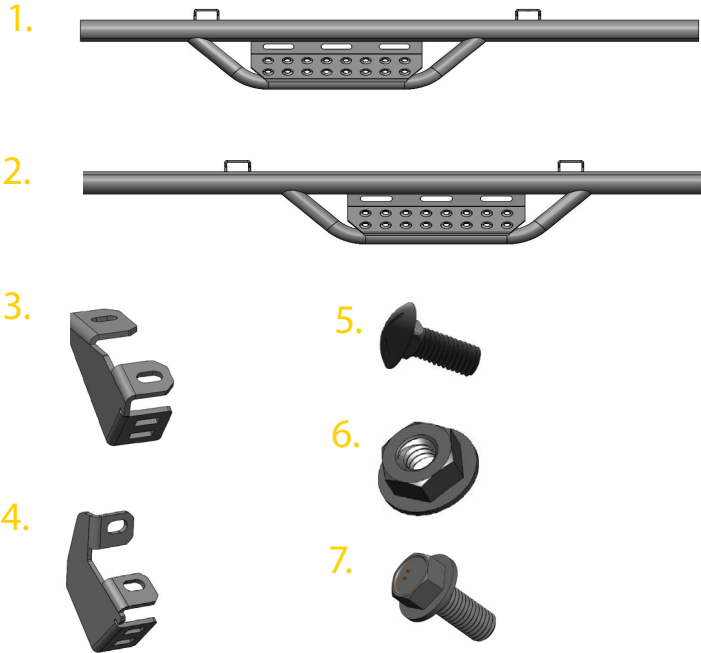


Components and Hardware:



Components and Hardware:

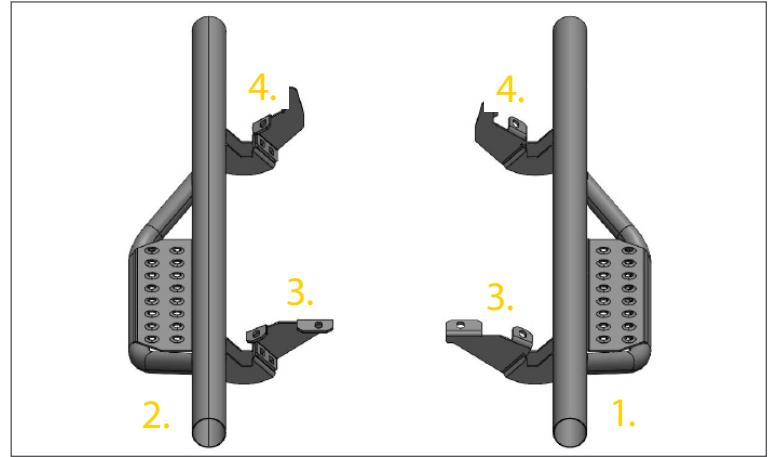
1. Driver side step.....	(1)
2. Passenger side step.....	(1)
3. Front bracket.....	(2)
4. Rear bracket.....	(2)
5. M10 carriage bolt.....	(8)
6. M10 flanged hex nut.....	(8)
7. M10x25mm Hex flanged bolt.....	(8)

Tools for Installation:

- 14mm socket
- 15mm socket
- Ratchet wrench

INSTALL

Step 1. Install the (x2, #3,#4) bracket to each attachment point on the main tube using the supplied carriage bolt and flanged nut (#5 and #6). Leave loose for now.



Step 2. Remove any factory runniboard/steps or hardware and discard.

Step 3. Clean/tap the factory threaded holes.

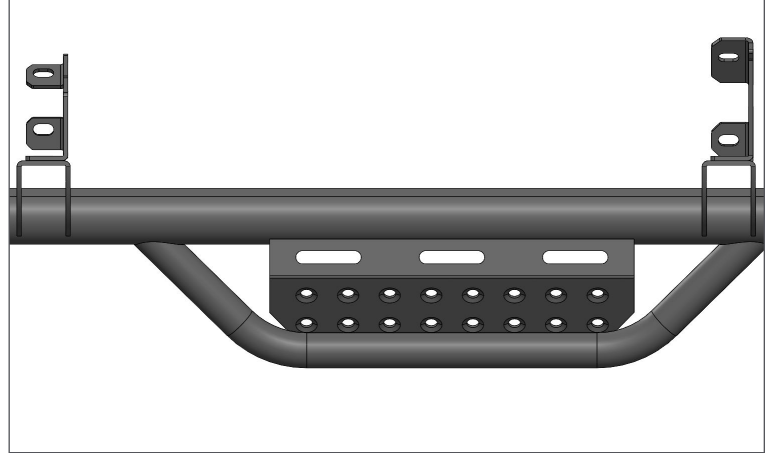


Step 5. Carefully place (#1)step into place and install using the supplied (#7) M10x25mm hex bolt.



INSTALL

Step 6. Tighten the (x2) lower bolts first following with the (x2) upper bolts (15-20 ft./lbs torque).



Step 7. Next, tighten brackets (x2) at the main tube (20-25 ft./lbs torque).

Step 8. Repeat procedures for passenger side install.

