



n-fab.com

nfabinc   

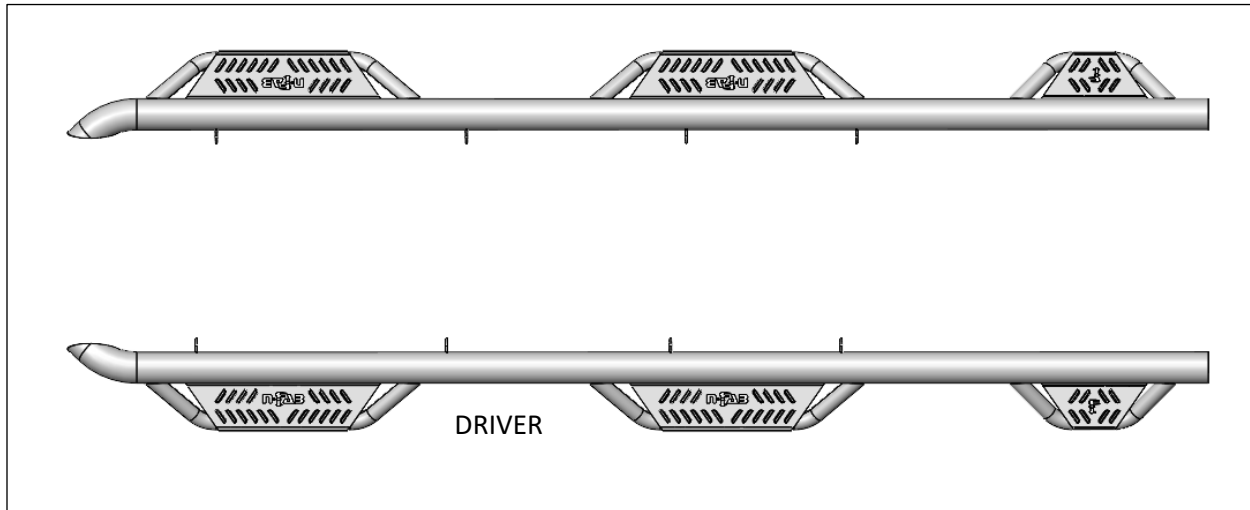
I-SHEET NUMBER: INST-00313
 PART NUMBER: HPC17104CC-6
 PRODUCT: PODIUM HOOP STEP
 APPLICATION: 17-19 CHEVY/GM CC
 DIESEL

HARDWARE DESCRIPTION	QTY.
HWKT-00424X	1
M8 Threaded clip	7
M8-1.25 Hex fin Nut	8
M8-1.25x25mm Black hex bolt	8
M8-1.25x25mm zinc hex bolt	7
M8 zinc washer	15
M8 black washer	8
M8 zinc lock washer	7
M10 carriage bolt	16
M10 hex nut	16
PARTS INCLUDED	QTY
DRIVER SIDE	1
PASSENGER SIDE	1
MOUNTING BRACKET	10



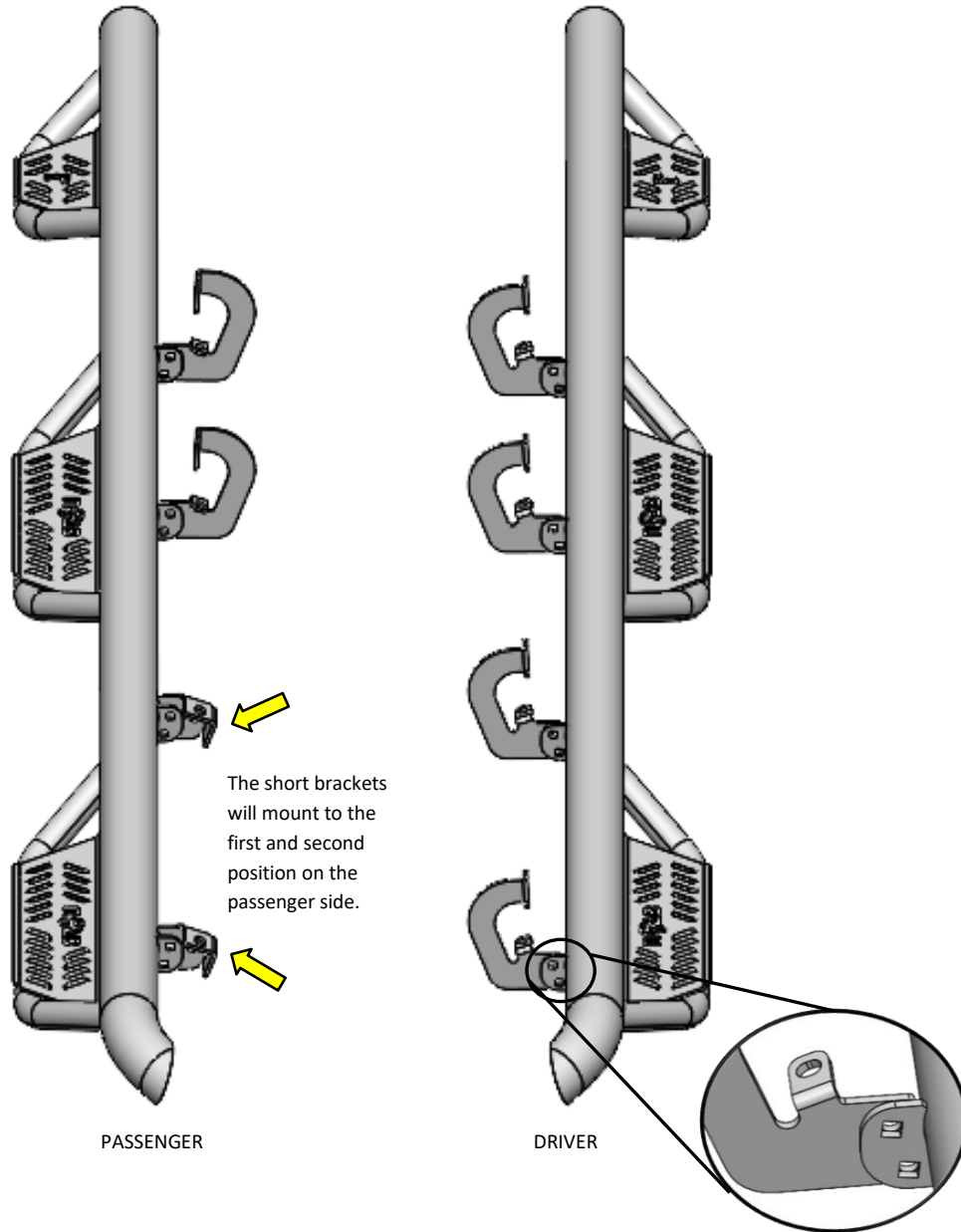
DO NOT USE IMPACT TOOLS

Step 1: Identify Driver side step



Step 2: Install the (x8) mounting brackets to each attachment point on the main tube using the supplied M10x25 carriage bolts, M10 hex nuts and leave loose for now.

****** NOTE: The brackets will attach to the backside of the mounting flange with the threaded end of the carriage bolt facing towards the REAR of the step. ******





n-fab.com

nfabinc   

I-SHEET NUMBER: INST-00313
PART NUMBER: HPC17104CC-6
PRODUCT: PODIUM HOOP STEP
APPLICATION: 17-19 CHEVY/GM CC
DIESEL

DRIVER SIDE INSTALL

Step 3: Insert the supplied M8 threaded clips in each mounting location.



Step 4: Carefully place Podium step into place. Use bolt, washer and begin hand tightening all (x4) upper mounts. An assistant is recommended in the step.



Step 5: Insert black coated bolt and washer through pinch weld hole and secure with locking nut and washer.



Step 6: Tighten pinch weld mounts first, then upper bolts. Tighten to 20 (ft./lbs) torque to secure the seps to the vehicle.



PASSENGER SIDE INSTALL

Step 7: Remove plastic shield from DEF tank.



Step 8: First bracket will have a tab that locates in the OE body mount hole.





n-fab.com

nfabinc   

I-SHEET NUMBER: INST-00313
PART NUMBER: HPC17104CC-6
PRODUCT: PODIUM HOOP STEP
APPLICATION: 17-19 CHEVY/GM CC
DIESEL

Step 9: Take bracket and feed between the body and the DEF tank. Move until you locate the tab into the OE hole. The bracket will hang once placed correctly.



Step 10: The second bracket attaches to the body with a bolt rather than the tab like the first bracket.



Step 11: Feed the bracket between the body and the DEF tank from the back of the tank. You will be able to fit, and hand tighten bolt through the bracket to the body.



Step 12: Carefully place passenger side step into place. Use bolt, washer and begin hand tighten both upper mounts and pinch weld mounts to the rear two brackets. An assistant is recommended with this step.





n-fab.com

nfabinc   

I-SHEET NUMBER: INST-00313
PART NUMBER: HPC17104CC-6
PRODUCT: PODIUM HOOP STEP
APPLICATION: 17-19 CHEVY/GM CC
DIESEL

Step 13: Use a supplied M8 bolt to align 2-piece bracket on the step rail. Insert from the side and hand tighten. Apply to the first and second bracket.



Step 14: Insert bolt and washer going up through step, pinch weld and through the 2 piece bracket.



Step 15: Snug hardware for the first and second bracket. Tighten the bolt going up through the pinch weld first to pull the board into place, then tighten both side bolts.



Step 16: Tighten pinch weld mounts first then upper mounts. Tighten all hardware to 20 (ft./lbs.) torque to secure to vehicle.



Step 17: Tighten all (x8) brackets at the main tube.

