



n-fab.com

nfabinc   

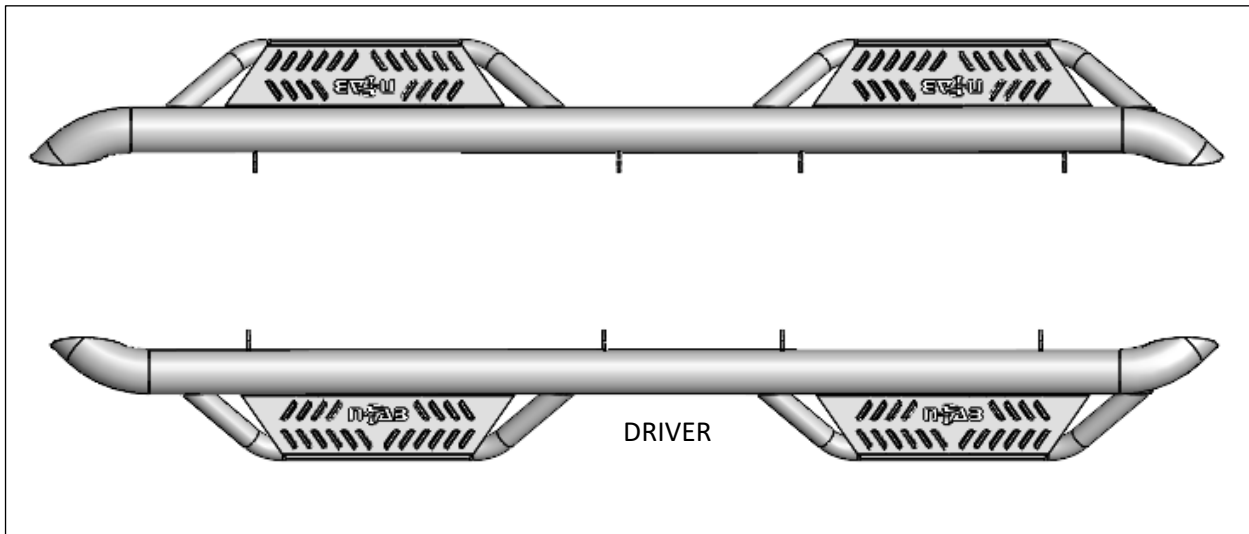
I-SHEET NUMBER: INST-00311  
 PART NUMBER: HPC1573QC  
 PRODUCT: PODIUM HOOP STEP  
 APPLICATION: 15-18 CHEVY/GM QC  
 DIESEL

HARDWARE DESCRIPTION	QTY.
<b>HWKT-00424X</b>	1
M8 Threaded clip	7
M8-1.25 Hex fin Nut	8
M8-1.25x25mm Black hex bolt	8
M8-1.25x25mm zinc hex bolt	7
M8 zinc washer	15
M8 black washer	8
M8 zinc lock washer	7
M10 carriage bolt	16
M10 hex nut	16
PARTS INCLUDED	QTY
DRIVER SIDE	1
PASSENGER SIDE	1
MOUNTING BRACKET	8



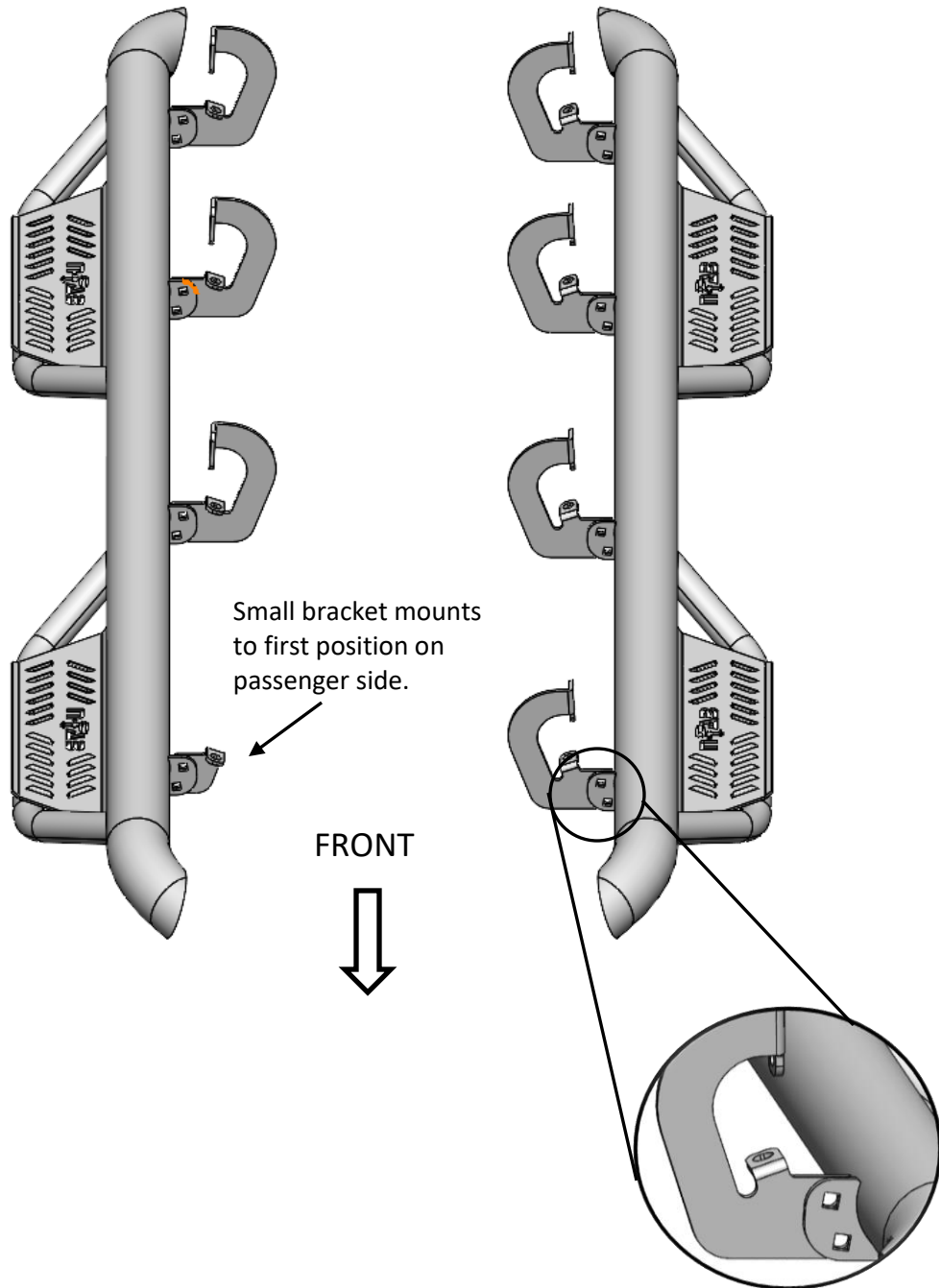
**DO NOT USE IMPACT TOOLS**

**Step 1:** Identify Driver side step



**Step 2:** Install the (x8) mounting brackets to each attachment point on the main tube using the supplied M10x25 carriage bolts, M10 hex nuts and leave loose for now.

**\*\*\*\* NOTE: The brackets will attach to the backside of the mounting flange with the threaded end of the carriage bolt facing towards the REAR of the step. \*\*\*\***





n-fab.com

nfabinc   

I-SHEET NUMBER: INST-00311  
PART NUMBER: HPC1573QC  
PRODUCT: PODIUM HOOP STEP  
APPLICATION: 15-18 CHEVY/GM QC  
DIESEL

**Step 3:** Look on the underside of the body and locate the factory supplied mounting positions. **NOTE: Some vehicles require the use of speed clips and nuts, which are supplied with the hardware kit.**



**Step 4:** If your vehicle requires the use of the speed clips, install at this time. This requires the removal of a plastic body plug. Using a flat head screwdriver remove the plug and install one of the supplied speed clips.



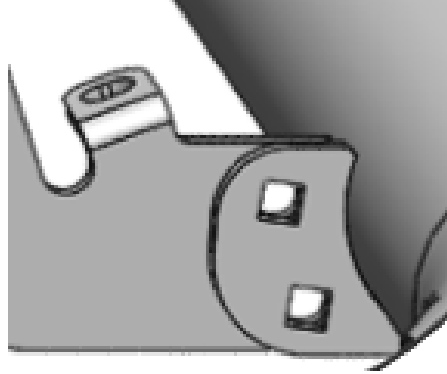
**Step 5:** Install the Nerf Step to the mounting locations in the body of the vehicle and install hardware. Do not tighten all the way. **NOTE: Some vehicles may require the use of additional nuts and washers for the lower portion of the mounting bracket which are supplied in the hardware kit**

**Step 6:** Next, tighten all hardware beginning with the lower mounts first then the upper mounting locations.



 **NOTE: Black bolts and washers mount on the lower part of the bracket** 

**Step 7:** After final adjustment, tighten all three brackets at the main tube.



**Step 8:** Repeat steps 2-7 with passenger side. Your install is now complete.