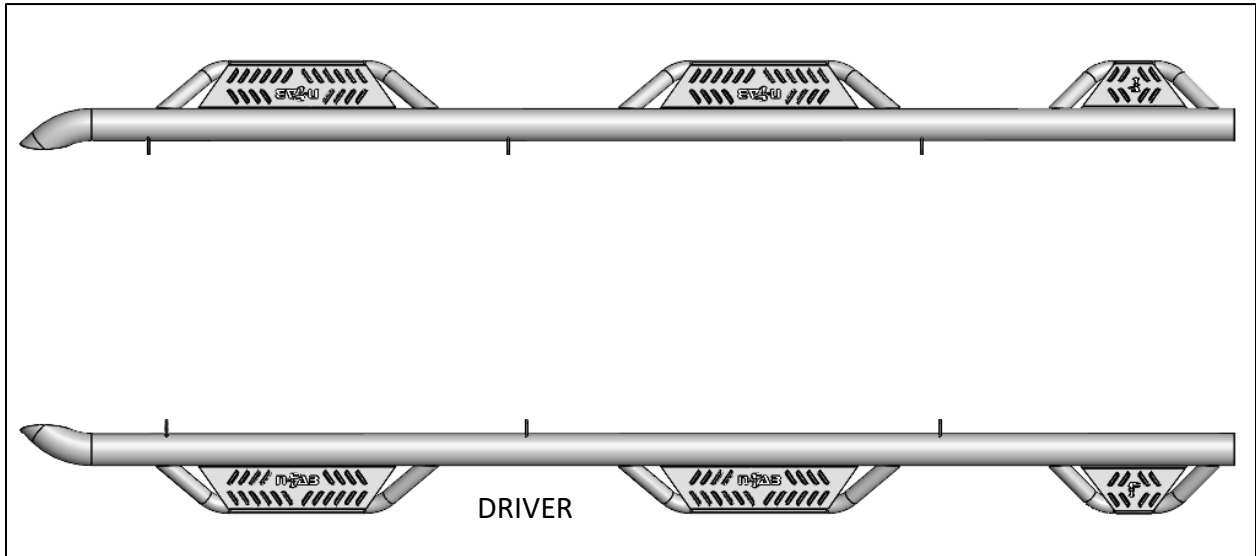


HARDWARE DESCRIPTION		QTY.
<b>HWKT-07323X</b>		
HHCS-00568X	3/8"-16 X 1"	6
FLTW-00663X	3/8" USS FLAT WASHER	12
CLIP-00646X	3/8"-16 X 3/4" BARREL NUT CLIP	6
CARB-00680X	3/8"-16 X 1-1/2" GRADE 5 CARRIAGE	6
HXNT-00717X	3/8"-16 GRADE 5 FINISHED HEX NUT	6
	M10 CARRIAGE BOLT	12
	M10 FLANGED HEX NUT	12
PARTS INCLUDED		QTY
Driver side step		
Passenger side step		
Mounting bracket		

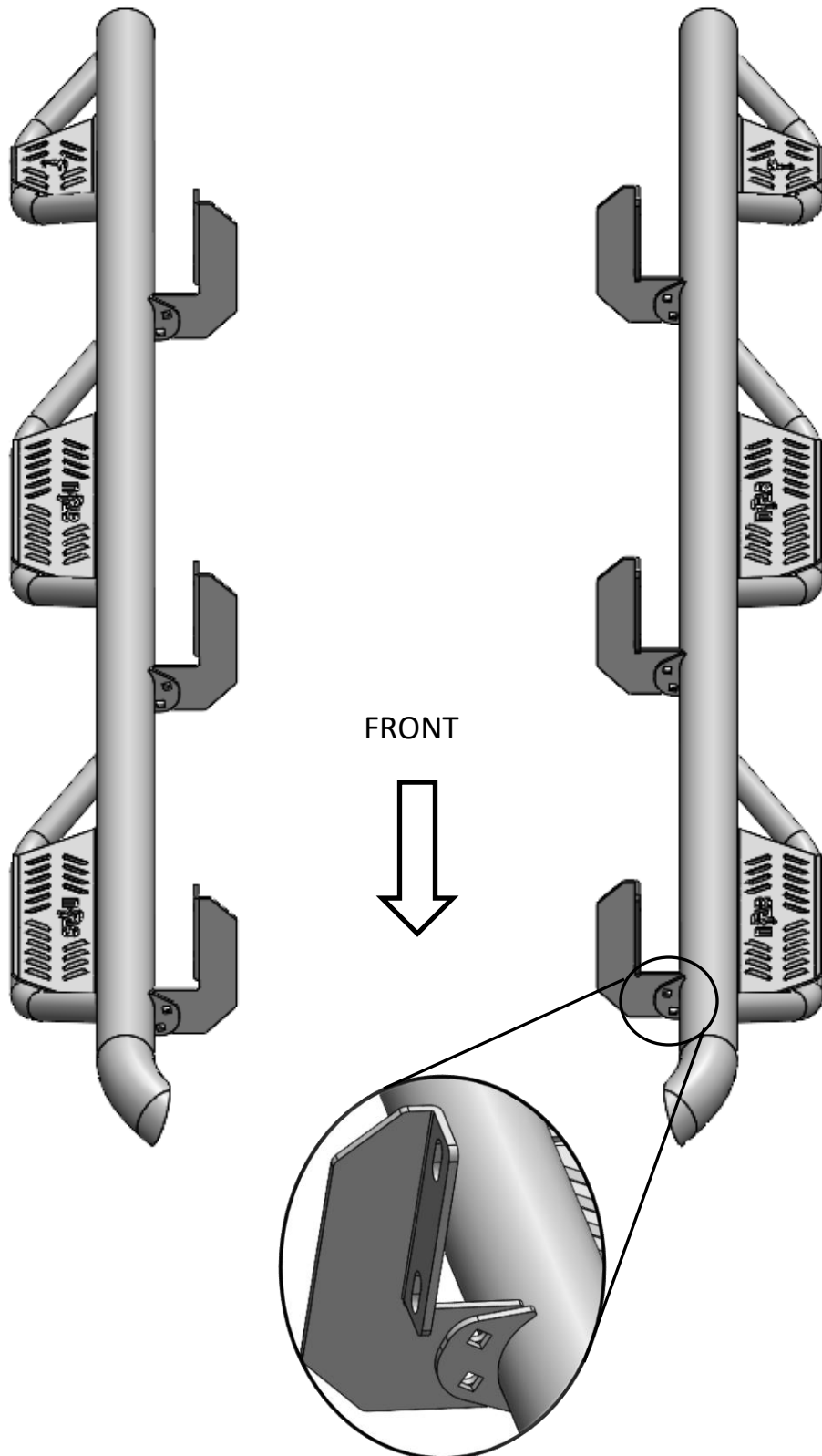


**STEP 1:** Identify driver side step.



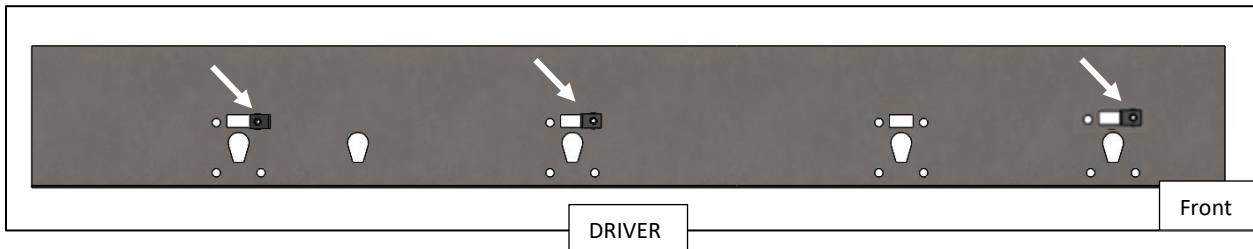
**Step 2** Using the supplied M10 carriage bolt and nut, install the (x6) mounting brackets to each attachment point on the main tube and leave loose for now.

\*\*\*\* **NOTE:** *The brackets will attach to the backside of the mounting flange with the threaded end of the carriage bolt facing towards the REAR of the step. \*\*\**



**Step 3:** Locate the holes for the upper mounts (x3) and install the supplied (x2) 3/8" clips in each position. **NOTE: There will be four attachment points for the Quad Cab and five for the Crew Cab. Only three will be used for the installation. See below for your cab configuration.**

Crew Cab



**Step 4:** Next, install the step aligning the brackets to the upper clips using the 3/8"x1" Hex bolt, 3/8' USS Flat washer for the upper attachment and the 3/8"x 1 1/2" carriage bolt 3/8" Hex nut and 3/8" USS washer for the lower attachment. Leave loose for now. **NOTE: The carriage bolts will start from the outside of the body, the nut and washer will be only visible from underneath the vehicle.**

**Step 5:** After final adjustment, tighten all hardware to 17-20 ft/lbs of torque.

**Step 6:** Next, tighten (x3) mounting bracket at the main tube.

**Step 7:** Repeat steps 3-6 for passenger side install.

