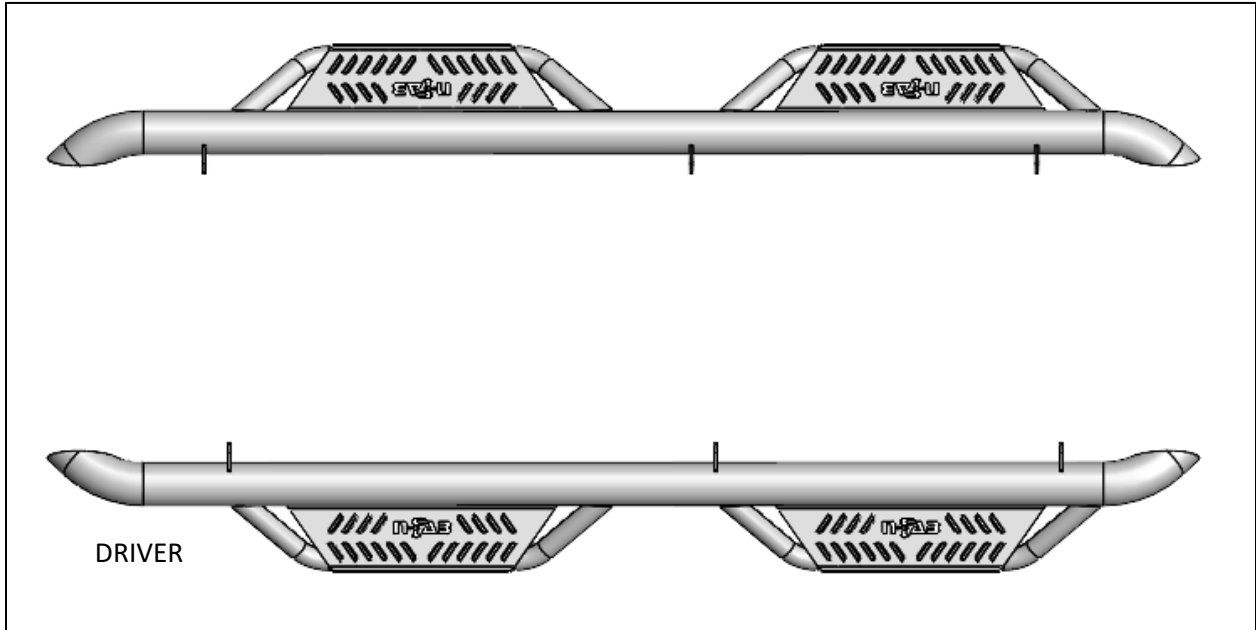


HARDWARE DESCRIPTION		QTY.
HWKT-07323X		
HHCS-00568X	3/8"-16 X 1"	6
FLTW-00663X	3/8" USS FLAT WASHER	12
CLIP-00646X	3/8"-16 X 3/4" BARREL NUT CLIP	6
CARB-00680X	3/8"-16 X 1-1/2" GRADE 5 CARRIAGE	6
HXNT-00717X	3/8"-16 GRADE 5 FINISHED HEX NUT	6
	M10 CARRIAGE BOLT	12
	M10 FLANGED HEX NUT	12
PARTS INCLUDED		QTY
Driver side step		1
Passenger side step		1
Mounting bracket		12

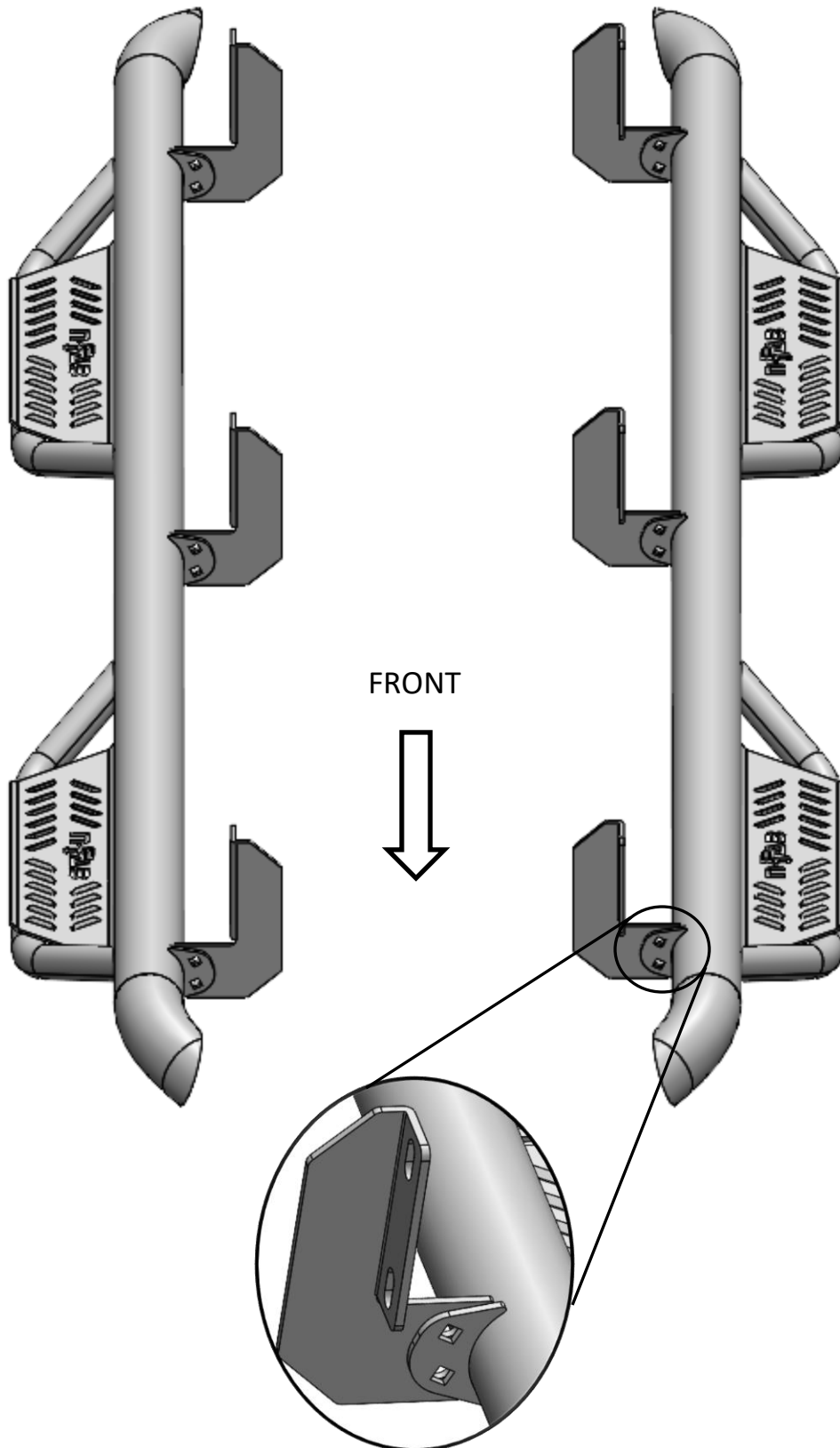


STEP 1: Identify driver side step.



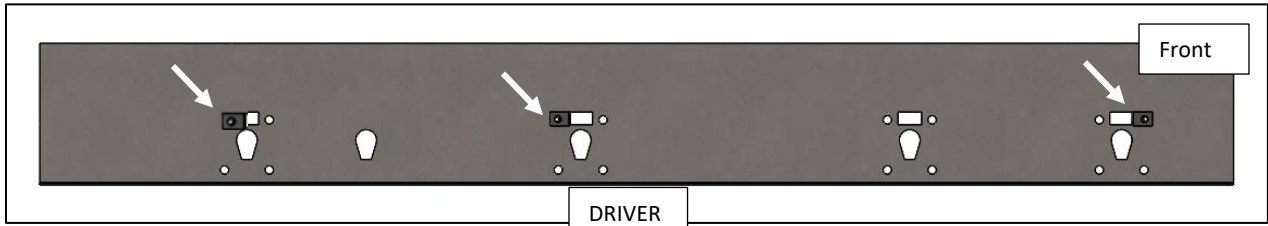
Step 2 Using the supplied M10 carriage bolt and nut, install the (x6) mounting brackets to each attachment point on the main tube and leave loose for now.

***** NOTE: The brackets will attach to the backside of the mounting flange with the threaded end of the carriage bolt facing towards the REAR of the step. *****



Step 3: Locate the holes for the upper mounts (x3) and install the supplied (x2) 3/8" clips in each position. **NOTE: There will be four attachment points for the Quad Cab and five for the Crew Cab. Only three will be used for the installation. See below for your cab configuration.**

Quad Cab



Step 4: Next, install the step aligning the brackets to the upper clips using the 3/8"x1" Hex bolt, 3/8' USS Flat washer for the upper attachment and the 3/8"x 1 1/2" carriage bolt 3/8" Hex nut and 3/8" USS washer for the lower attachment. Leave loose for now. **NOTE: The carriage bolts will start from the outside of the body, the nut and washer will be only visible from underneath the vehicle.**

Step 5: After final adjustment, tighten all hardware to 17-20 ft/lbs of torque.

Step 6: Next, tighten (x3) mounting bracket at the main tube.

Step 7: Repeat steps 3-6 for passenger side install.

