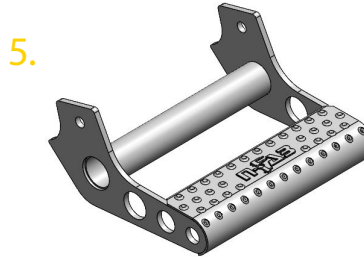
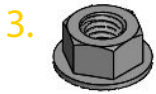
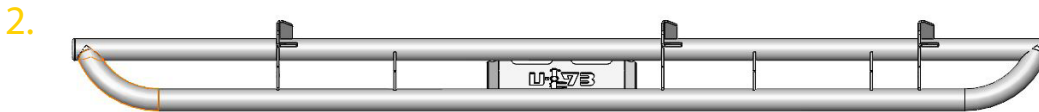


## Components and Hardware: HWKT-00031X



(Sold only with prt# N224RKCCS4)

## Components and Hardware:

- |  |      |
|--|------|
| 1. Driver side step.....   | (1)  |
| 2. Passenger side step.....                                      | (1)  |
| 3. M8 Flanged hexnut.....  | (12) |
| 4. M8 flat washer.....   | (12) |
| 5. Detachable step ( 1 pair) sold only with prt# N224RKCCS4..... | (2)  |

## Tools for Installation:

- 13mm socket
- Ratchet wrench

## INSTALL

Step 1. Remove any OE step/running boards from the vehicle and discard.

Step 2. Clean any undercoating or debris from the threaded studs.

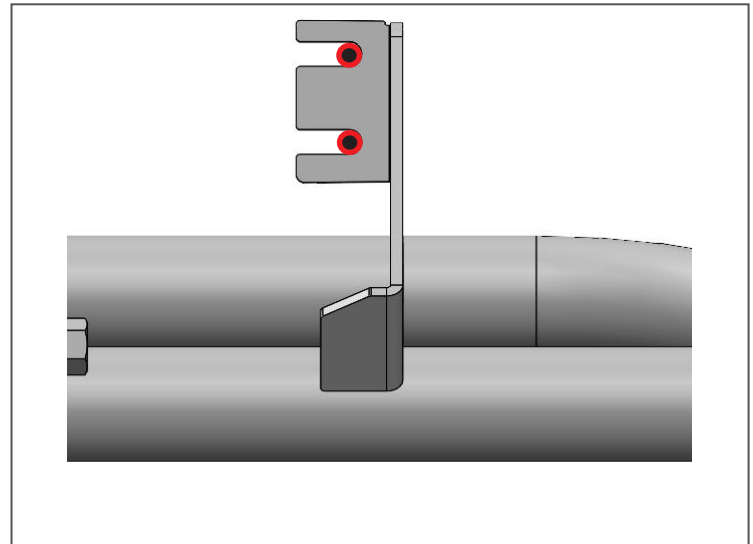


Step 3. Next, place (#1) Driver side step on the studs and secure with supplied (#3,#4) M8 flanged hex nut and M8 flat washer and loosely tighten for now.

**NOTE: Be sure the two slotted openings in the brackets slide and lock into place against the threaded stud before tightening.**

Step 4. After final adjustment fully tighten (x3) brackets to the factory body mounts to (15-20 ft/lbs torque).

Step 5. Repeat process with passenger side step.



### PRT# JPTS32 Detachable Step Installation ( N224RKRCCS4)

Step 1. Attach step to mounts located in between the RKR rails using the supplied 1.5" x 1" Flanged hex bolts and 1.5" flanged hex nuts.

**Note: The step will mount to the left side of the bracket opposite of the weld.**

