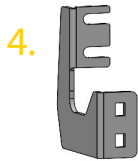
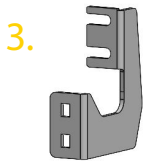
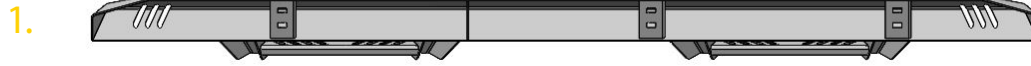


Components and Hardware:



Components and Hardware:

1. Driver side rail.....	(1)
2. Passenger side rail.....	(1)
3. Driver side mounting bracket.....	(3)
4. Passenger side mounting bracket.....	(3)
5. M10x19mm Carriage bolt.....	(12)
6. M10 Fanged hx nut.....	(12)
7. M8 flanged hex nut.....	(12)

Tools for Installation:

- 13mm socket
- 16mm
- Ratchet wrench



DESERT BORN, ROAD READY.™

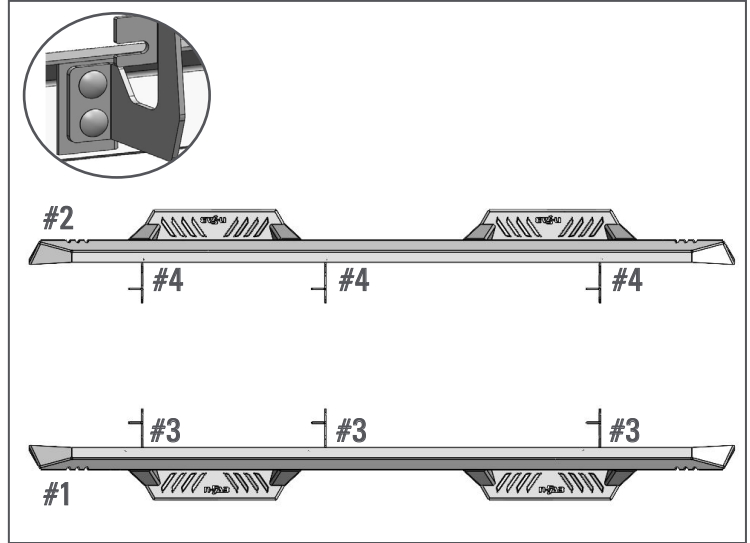
PART# EXN22CC-TX
2022-22 FRONTIER CC

EPYX STEP SYSTEM
INST-02177

INSTALL

Step 1. Attach mounting bracket (#3)x3 to (#1) driver side rail and loosely secure with (#5)x6 and (#6)x6 carriage bolt and flanged hex nut.

Step 2. Attach mounting bracket (#4)x3 to (#2) passenger side rail and loosely secure with (#5)x6 and (#6)x6 carriage bolt and flanged hex nut.

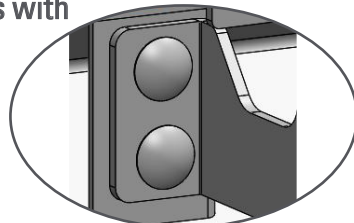


Step 3. Carefully raise (#1) driver side assembly up into position, aligning brackets with OE threaded studs and loosely secure with (#7)x6 M8 flanged hex nut.

Step 4. After final adjustment, tighten (#3)x3 upper mounts at (18-20 ft/lbs) of torque.

Step 5. Finish by tightening the (#3)x3 bracket at the main tube at (32-37 ft/lbs) of torque.

Step 5. Repeat mounting process with Passenger side.



(32-37 ft/lbs)

