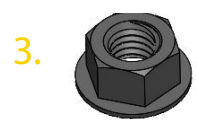
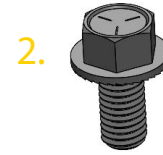
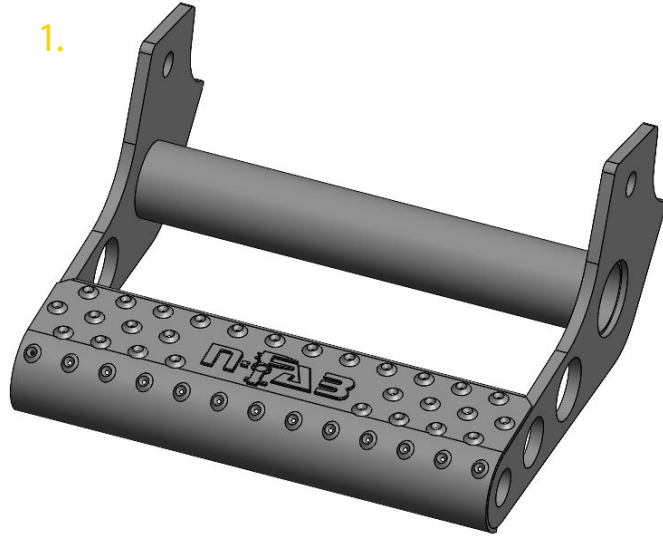


Components and Hardware:



Components and Hardware:

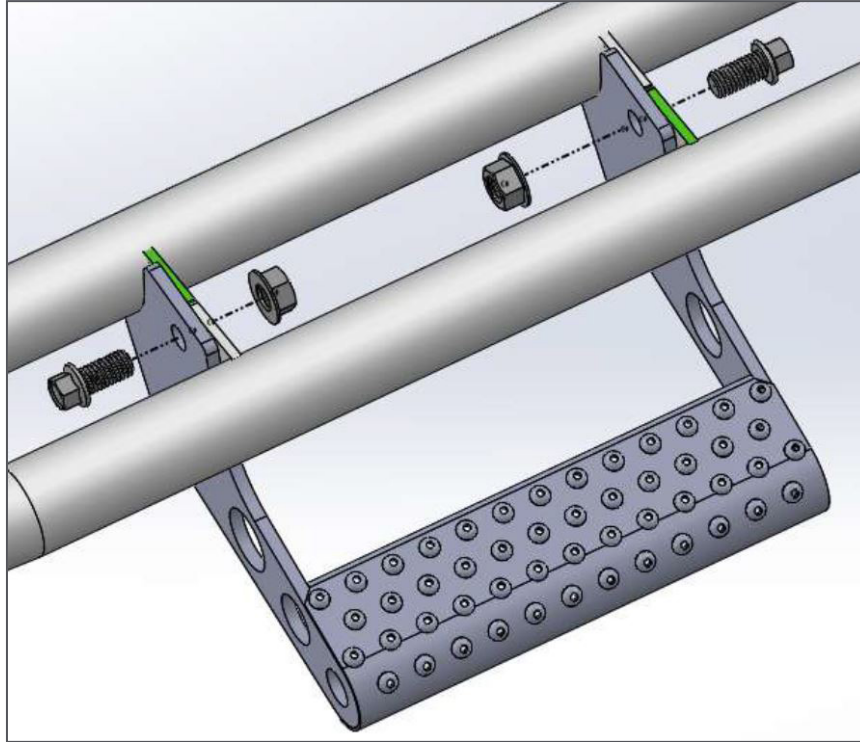
- | | |
|----------------------------------|-----|
| 1. Detachable step..... | (2) |
| 2. 1.5"x1" Flanged hex bolt..... | (4) |
| 3. 1.5" Flanged Hex nut..... | (4) |

Tools for Installation:

- 3/4" Wrench

INSTALL

Step 1. Attach the step to the mounts located in between the RKR rails using the supplied $\frac{1}{2}$ "x 1" Flanged hex bolts and $\frac{1}{2}$ " Flanged hex nuts. NOTE: The step will mount to the left of the bracket opposite of the weld.



Step 2. Torque bolts to a target torque of 40 ft.-lbs. / 54Nm