



n-fab.com

a TRUCK HERO company



I-SHEET PART NUMBER: INST-00150
 PART NUMBER: **PRD2080CC**
 PRODUCT: **ALUMINUM HOOP STEP**
 APPLICATION: **19-20 RAM 2500/3500 CREW CAB**

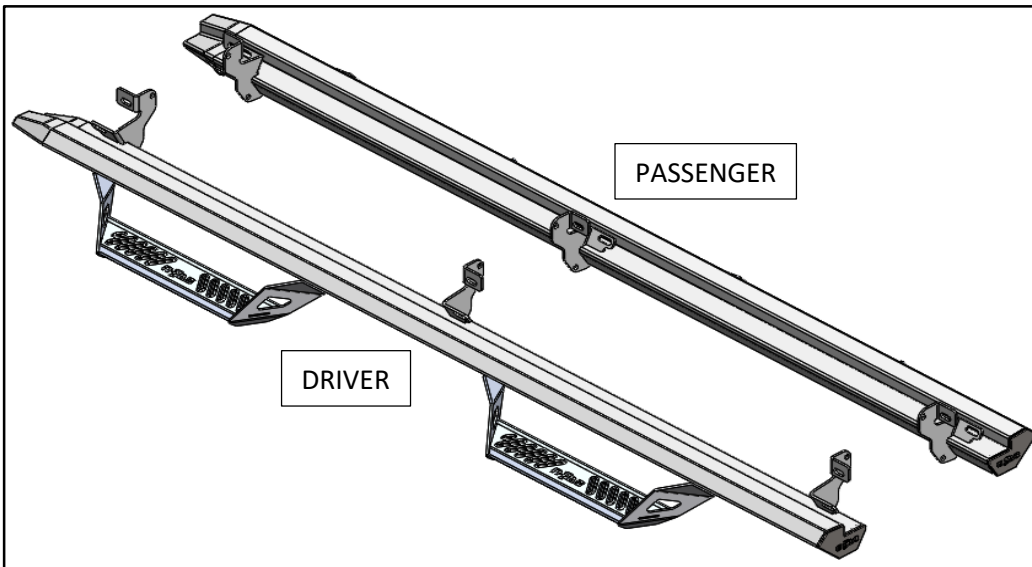
PREDATOR PRO



HARDWARE DESCRIPTION		QTY.
HWKT-05481X		
HHCS-00568X	3/8"-16 X 1" HEX CAP SCREW	6
CLIP-00647X	3/8"-16 X 1 3/4" BARREL NUT CLIP ZINKLAD 1000B	6
FLTW-00663X	3/8" USS FLAT WASHER	6
HHCS-00647X	M8-1.25 X 25MM 8.8 HEX CAP SCREW	6
FLTW-00743X	M8 FLAT WASHER	6
CLIP-05482X	M8-1.25 X 13/16" BARREL CLIP, ZINKLAD 1000B	6

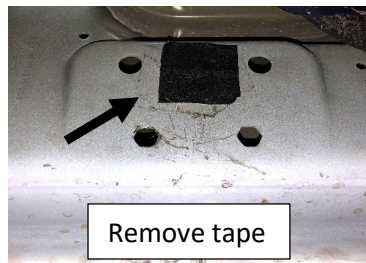
PARTS INCLUDED	QTY
DRIVER SIDE STEP	1
PASSENGER SIDE STEP	1

Step 1: Identify driver side step.



Step 2: Remove any factory running boards or steps and discard.

Step 3: Next, locate the mounting holes underneath the body and remove the factory tape from the three locations.



Step 4: Insert the supplied (x6) 3/8" X 1 3/4" threaded barrel clips in each upper mounting location.

Step 5: Next, install the (x6) supplied M8x13/16 barrel clips in each pinch weld mounting position.



U-clip positioning. **NOTE: Clip orientation will be the same for passenger side.**

Step 6: Carefully place step into position and start the upper 3/8"x1 Hex bolt and washer in the center bracket and hand tighten to hold in place. Next, install the remainder 3/8"x1 bolts and washers in the front and rear brackets and leave loose for now.

Step 7: Next, install the (x6) supplied M8x25mm hex bolts and M8 flat washers in the lower pinch weld mounts and finger tighten.

Step 8: Begin tightening the lower attachment points starting with the rear bracket working your way up to the front bracket. **(20ft/lbs.)**

Step 9: Finish by tightening the upper attachments points from front to back. **(20ft/lbs.)**



Step 10: Repeat steps 2-9 for passenger side. Your install is now complete.