

Part # 11652.02

Components and Hardware:

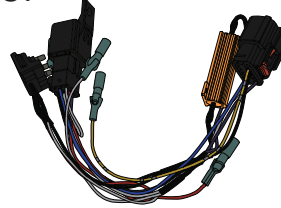
1.



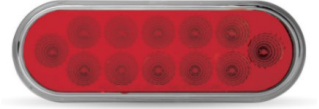
2.



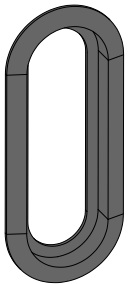
3.



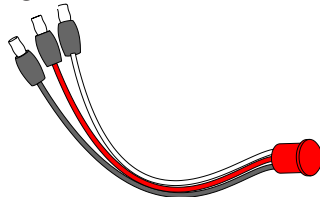
4.



5.



6.



7.



8.



Components and Hardware:

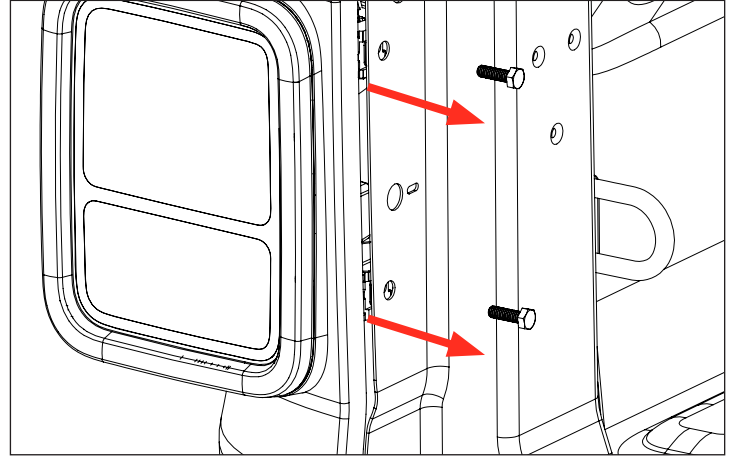
1.	Left Tail Light Mount.....	(1)
2.	Right Tail Light Mount.....	(1)
3.	Wire Harness.....	(2)
4.	Oval Light.....	(2)
5.	Oval Light Grommet.....	(2)
6.	Round Light.....	(2)
7.	Round Light Grommet.....	(2)
8.	Reflector Tape.....	(4)
9.	Adhesive Promotor.....	(1)

Tools for Installation:

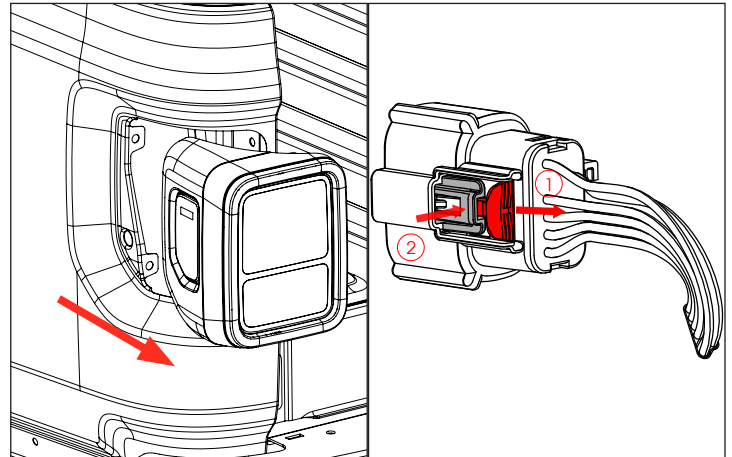
- 10mm Socket
- Isopropyl Alcohol

Flush Mount Tail Light, Jeep Gladiator

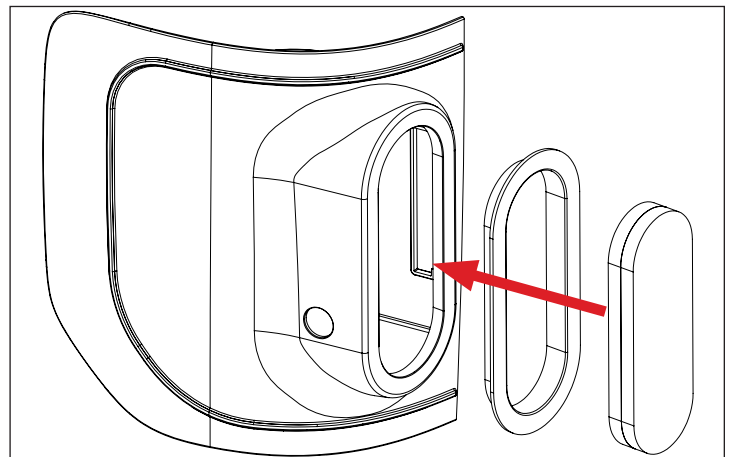
1. Open the tailgate. Using a 10mm socket, remove the OE mounting bolts.



2. Carefully pull the tail light away from the vehicle. Unplug the tail light by sliding red tab first. Then press down on gray tab and gently pull plug from the tail light.

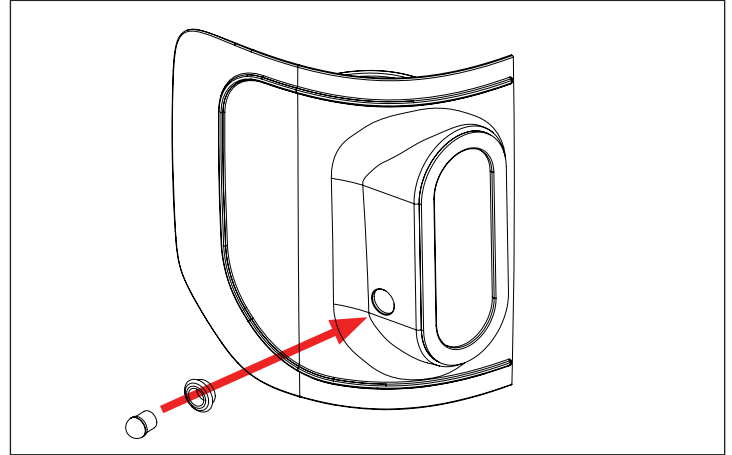


3. Affix the oval light grommet(#5) into tail light mount(#1&2). Press the oval light(#4) into the oval light grommet.

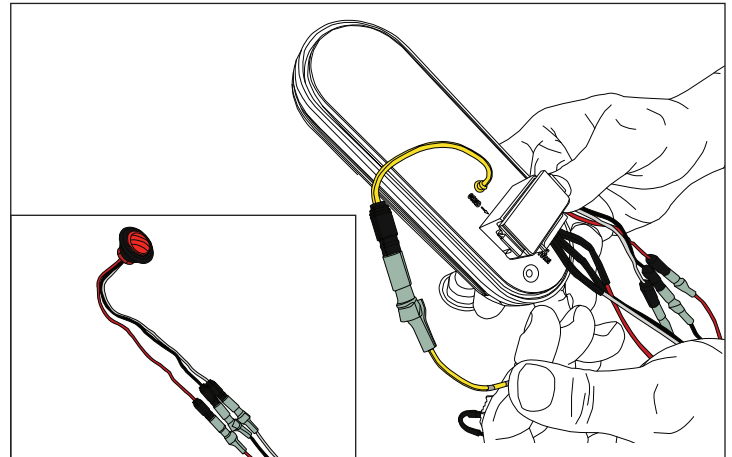


Flush Mount Tail Light, Jeep Gladiator

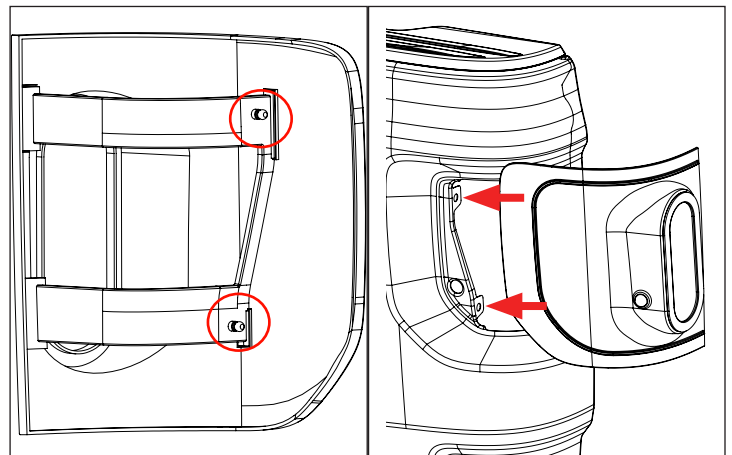
4. Affix the round light grommet(#7) into tail light mount. Press the round light(#6) into the round light grommet.



5. Connect the oval and round lights to the supplied wire harness(#3). Wires on the harness and lights are color coded. Connect each wire from the light to the color matched wire on the harness.



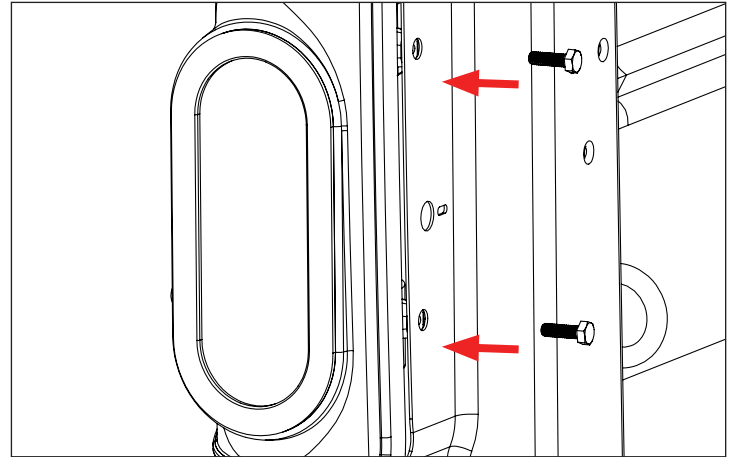
6. Connect wire harness to the factory wire harness. Align the pins on the tail light mount to the rubber grommets on the vehicle. Gently press tail light mount until you feel it click into place.



Flush Mount Tail Light, Jeep Gladiator

Notice: Keep pressure on the product while tightening bolts to avoid a gap.

7. Reusing the OE mount bolts, attach the flush mount tail light.



Note: The reflective tape needs to be visible from both the side and the rear of the vehicle.

8. To attach Reflective Tape(#8), first clean the surface where you want to attach the tape using isopropyl alcohol. Then apply adhesive promotor to the surface and let it sit for 2 minutes. Remove protective film on the reflective tape then attach tape to prepared surface.

