

Trailview Soft Top™

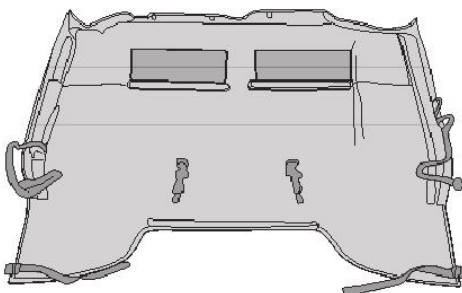
For proper installation and best possible fit, please read all instructions **BEFORE** you begin.
For technical assistance or to obtain missing parts, please call Customer Relations at 1-800-328-2409.

Important Safety Information

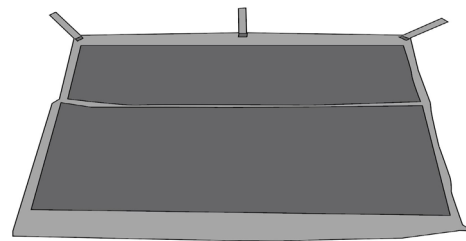


- Periodically check all components for tightness.
- Be sure to wear safety goggles while installing.
- When using power tools, read and understand all operating instructions.

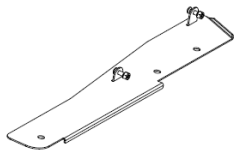
Contents **NOTE:** Actual product may vary from illustration.



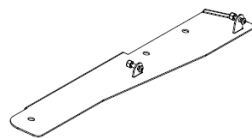
Trailview Main Deck x1



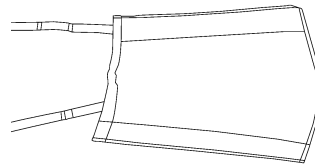
Rear Window x1



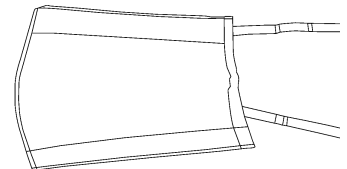
LH Door Surround
Mounting Plate x1



RH Door Surround
Mounting Plate x1



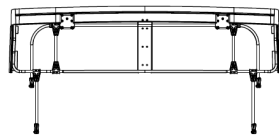
Right Side
Panel x1



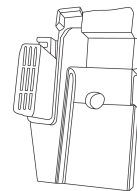
Left Side Panel
x1



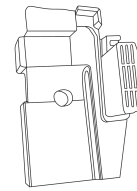
Anti-Puddle Pole
x2



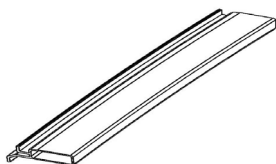
Flip Top Header
Assembly x1



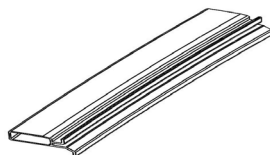
LH Upright Lower
Plastic x1



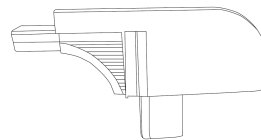
RH Upright
Lower Plastic
x1



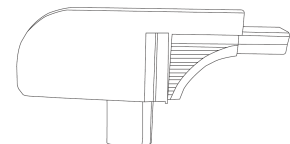
LH Upright x1



RH Upright x1



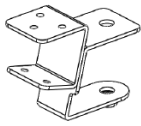
LH Upper Corner
Plastic x1



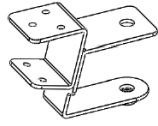
RH Upper Corner
Plastic x1

Contents cont.

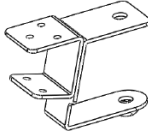
NOTE: Actual product may vary from illustration.



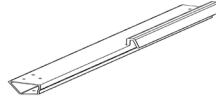
Door Surround
Front Bracket x2



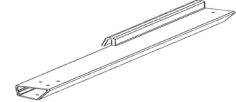
Door Surround
Front Bracket (Middle)
x2



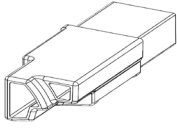
Door Surround
Rear Bracket
x4



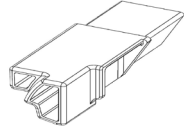
LH Front Door
Bar x1



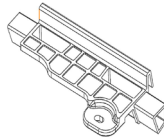
RH Front Door
Bar x1



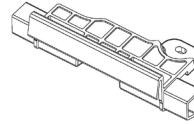
LH Front
Plastic Adaptor
x1



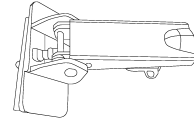
RH Front
Plastic Adaptor
x1



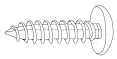
LH Middle Plastic
Adapter x1



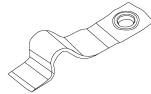
RH Middle
Plastic Adapter
x1



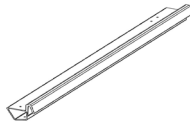
Front Latch x2



Pan Head Self-
Tapping Screw x48



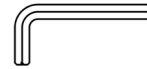
Top Retention
Strap x1



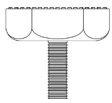
LH Rear Door
Bar x1



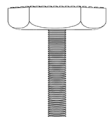
RH Rear Door Bar x1



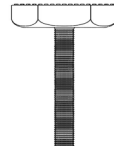
Allen Wrench x2



Door Surround
Knob - Short
x2 M8X30



Door Surround
Knob - Medium x4
M8X65

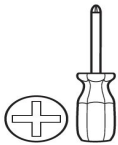


Door Surround Knob
- Long x4 M8X75

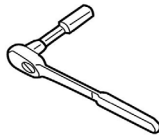


Upright Turn Knob x 2

Tools Required



Phillips Screwdriver



Ratchet & Extensions



Torx Bits



Allen Wrench



Safety Glasses

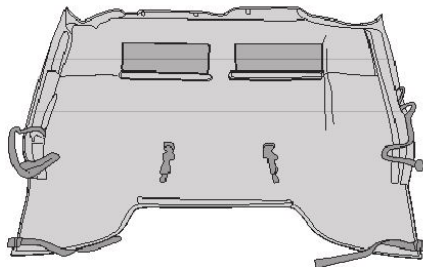
Pre-Installation Requirements



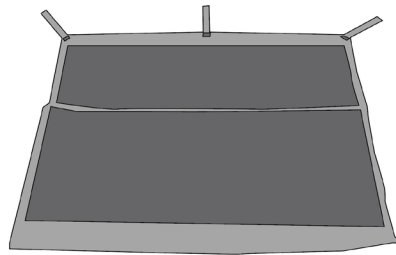
- Remove existing hard or soft top. For OEM (original/factory) soft tops, also remove:
 - Side Door surrounds

Installation Steps **NOTE: Actual product may vary from illustration.**

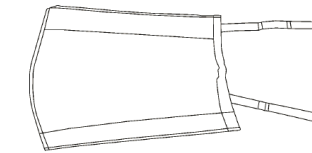
Important: For a smooth fit and ease of installation, this top should be installed at temperatures above 72 degrees. Below this temperature, the fabric may contract an inch or more making it difficult to install. We highly recommend taking your new Top out of the package and letting it sit inside a warm place or in direct sun light for 1-2 hours before you install the top. When warm, this top will install quickly.



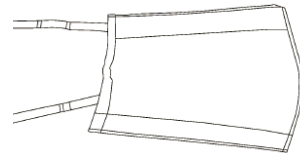
Trailview Main Deck x1



Rear Window x1

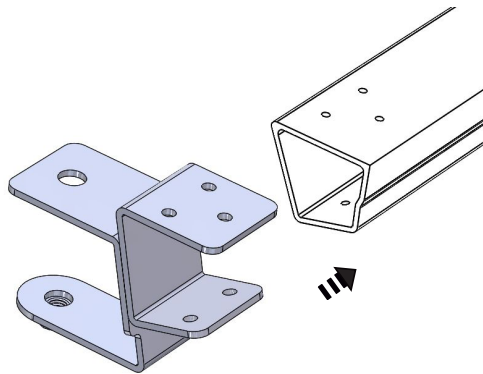


Left Side Panel x1



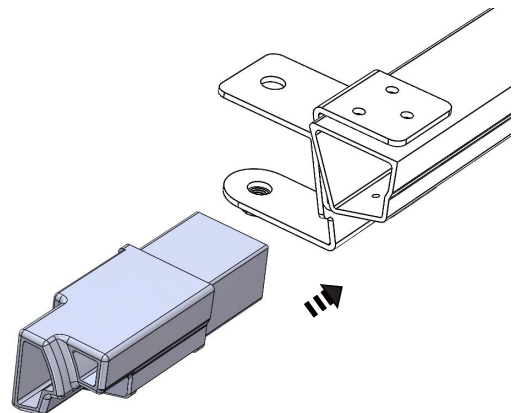
Right Side Panel x1

Install driver's door surround. Slide Door Surround Front Bracket onto LH front door bar as shown below.



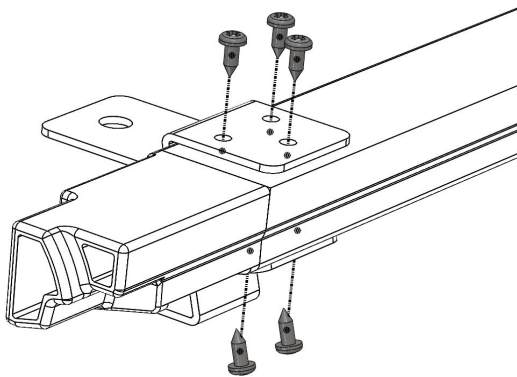
1

Push Front Plastic Adaptor into front door bar.



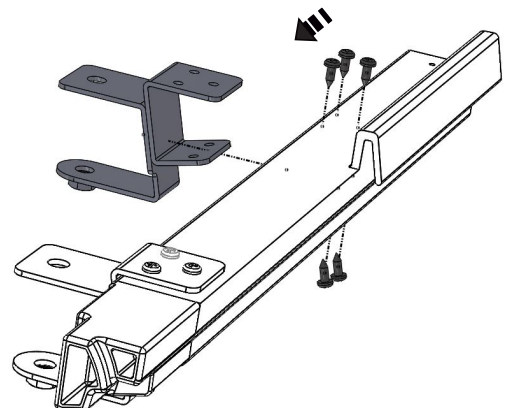
2

Secure all pieces with 5 self-tap screws.



3

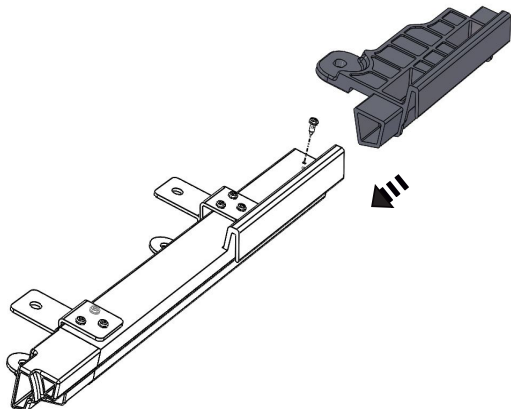
Slide Door Surround Front Bracket (Middle) onto LH front door bar and secure with 5 self-tap screws.



4

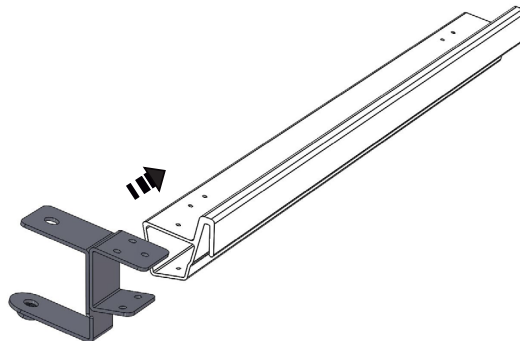
Installation Steps NOTE: Actual product may vary from illustration.

Install LH Middle Plastic Adaptor onto front door bar & secure all pieces with 1 self-tap screws.



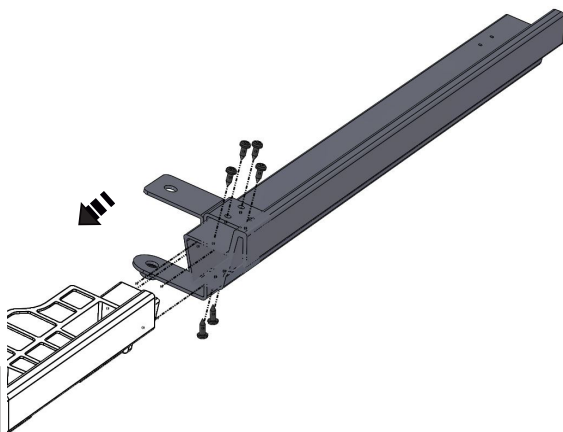
5

Slide Front Rear Bracket onto LH Rear Door Bar as shown below.



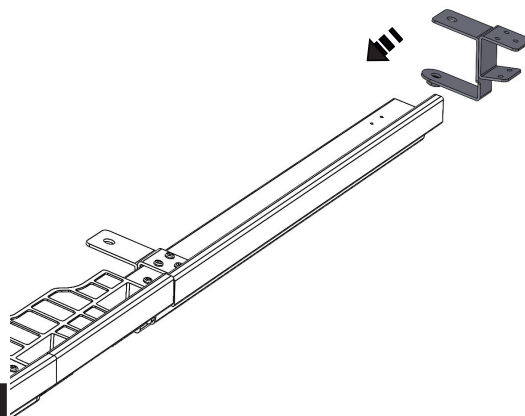
6

Install LH Rear Door Bar onto the adaptor & secure all pieces with 6 self-tap screws.



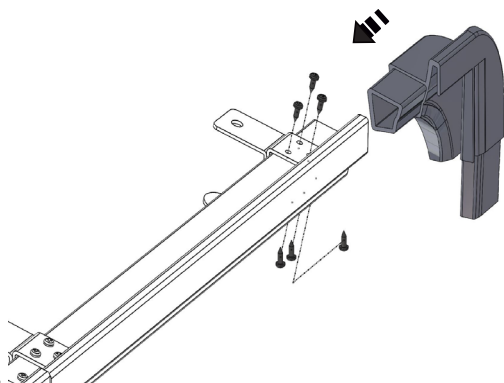
7

Slide Rear Bracket onto LH Rear Door Bar as shown below.



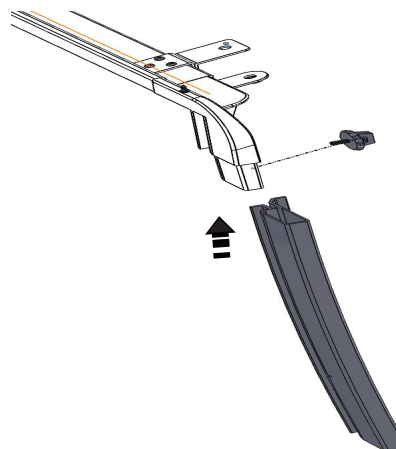
8

Install LH Upper Corner onto LH Rear Door Bar & secure all pieces with 6 self-tap screws.



9

Install LH Upright onto LH Upper Corner and secure with Upright Turn Knob.

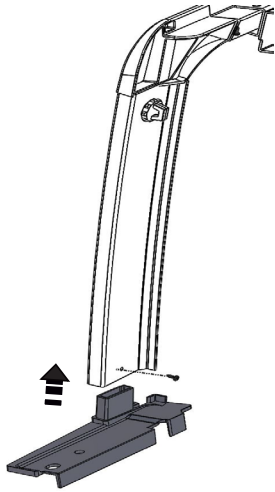


10

Installation Steps NOTE: Actual product may vary from illustration.

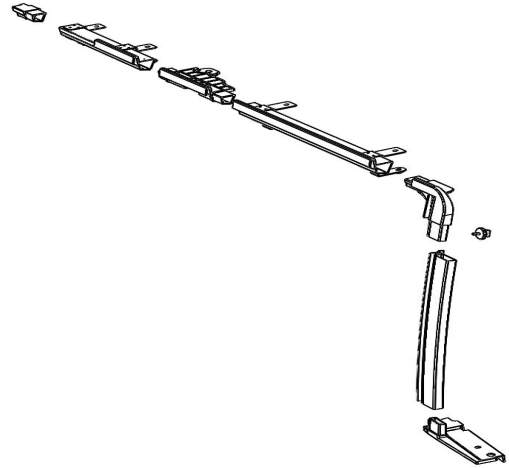
Install LH Upright Lower Plastic onto LH Upright and secure with 1 self-tap screw.

11



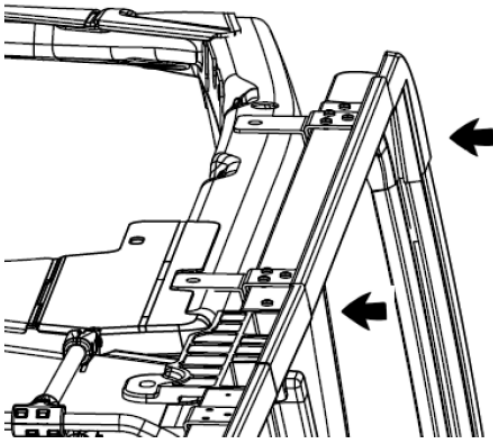
Repeat this section (steps 1-11) to assemble passenger's side door surround.

12



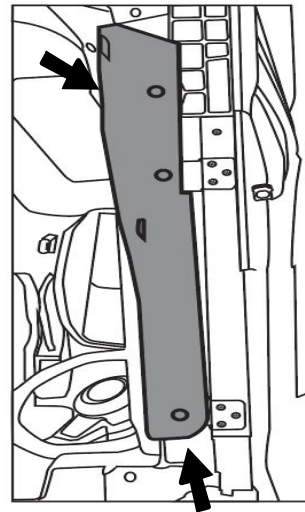
Position completed door surround onto the vehicle and fit the bracket over the roll bar.

13



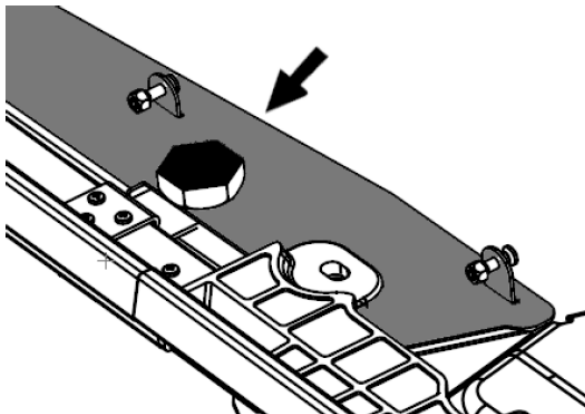
Fit LH Door Surround Mounting Plate on top of door surrounds.

14



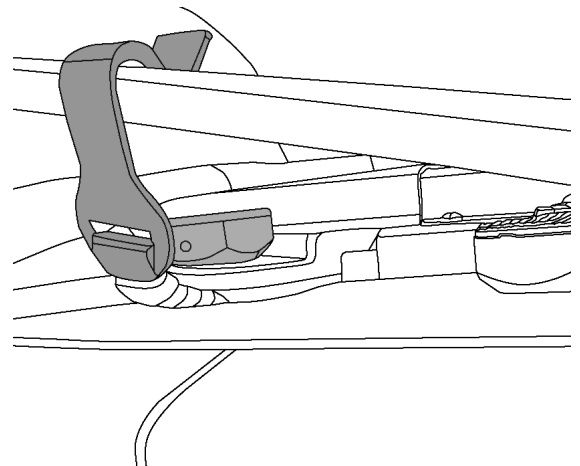
Secure the mounting plate to the roll cage using turn-knobs in the holes. Do not fully tighten knob yet.

15



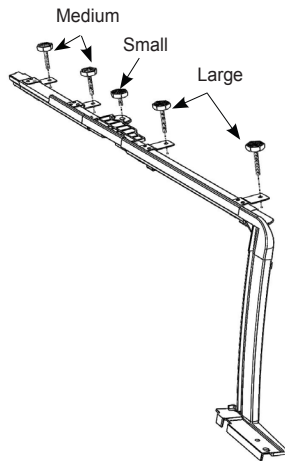
Fit top retention strap to driver side - between the hinge plate rear hole and the door surround bracket, and screw down with small knob.

16



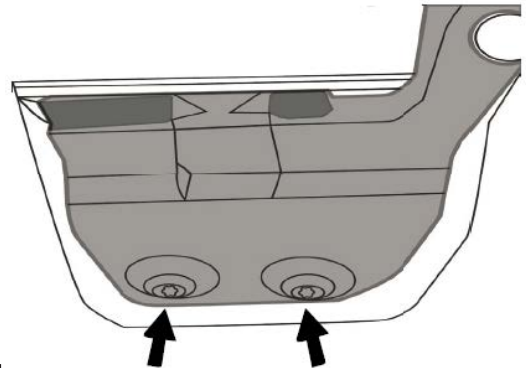
Installation Steps **NOTE: Actual product may vary from illustration.**

Tighten all door surround knobs into door surround assembly at this time. Repeat steps 13 through 16 on passenger side.



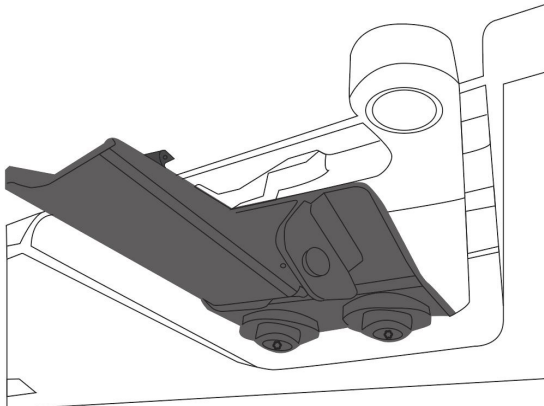
17

Using a Torx T40 bit to remove the latch bracket screws from the windshield on the bottom of the driver's and passenger's side. Save screws for re-use.



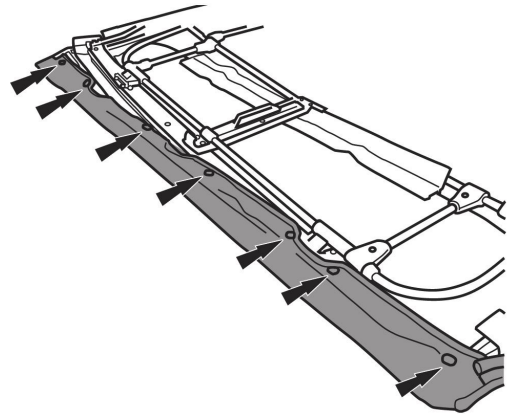
18

Place provided latch as shown and reattach with the screws from the previous step. Do not tighten the screws and adjustment may be needed. Repeat steps 19-20 for the other side.



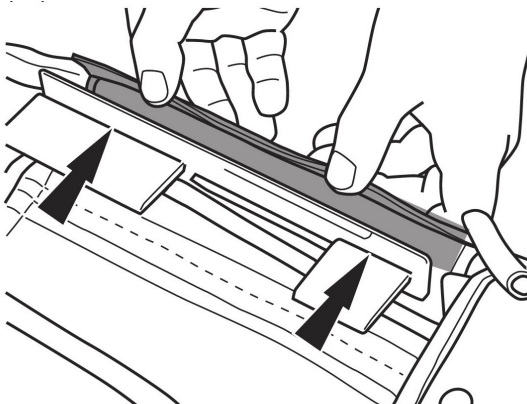
19

Fold back the hardware tubes of the header channel assembly then install the main deck fabric. Secure with snaps as shown.



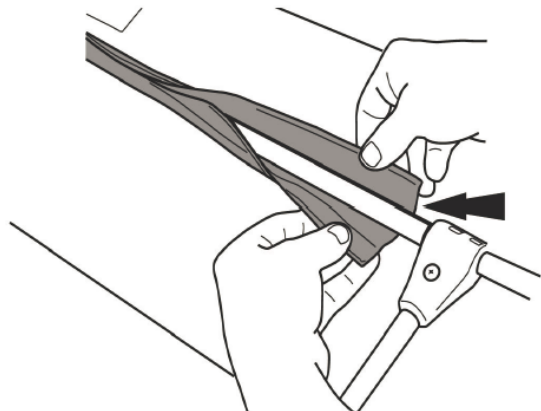
20

Tuck the plastic strip behind latches and along side rails. See photo below for proper fit.



21

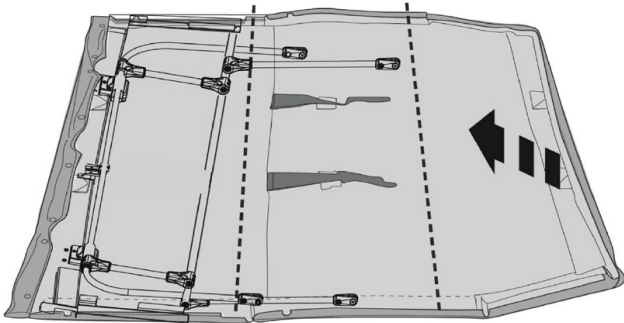
Secure the Flip Top Header Assembly to the Soft Top Deck by engaging the Hook and loop flap around the tube.



22

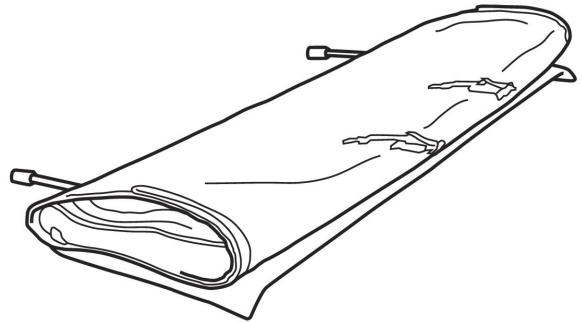
Installation Steps NOTE: Actual product may vary from illustration.

Roll up the Soft Top Deck to make installation to the Flip Top Plates more manageable.



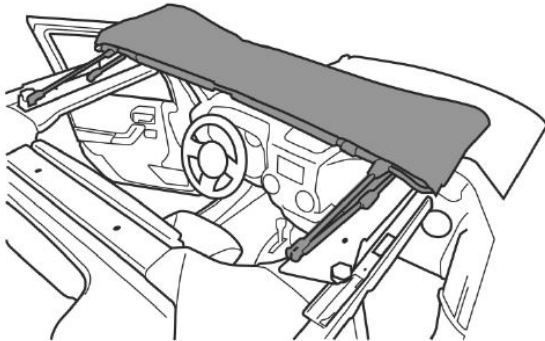
23

TIP: It may be helpful to have a second person for this step. Place the top face down and re-fold, beginning with the rear portion.



24

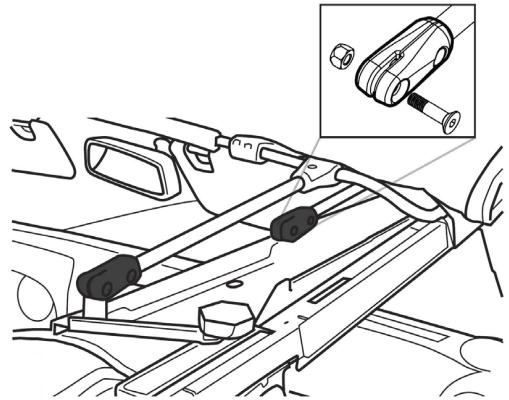
Lift the soft top and header channel assembly onto the windshield gasket.



25

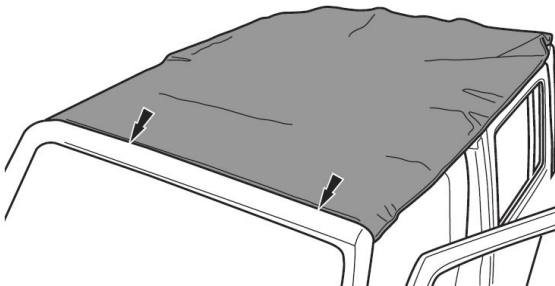
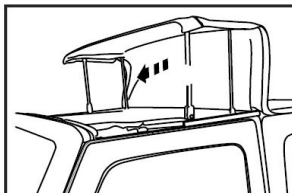
Place pivot tubes over the mount hinge plate. Line up the brackets then secure with the counter-sink Allen head screw and nylon lock-nut.

TIP: Lift up the main fabric for easier access to the brackets.



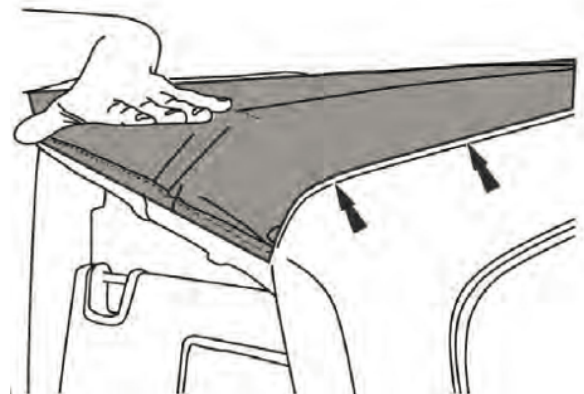
26

Unfold the soft top main deck fabric over the top of the roll cage and in place. Close the top toward the windshield.



27

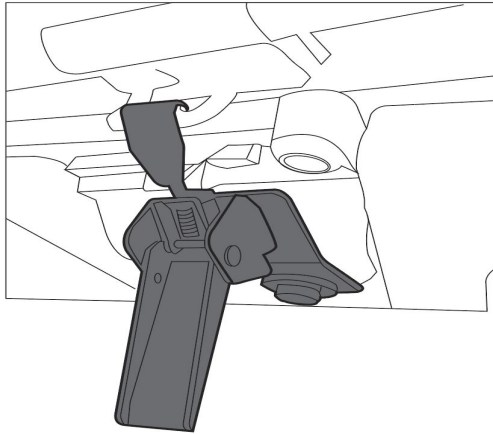
Check the front edge to windshield edge lines up to windshield seal.



28

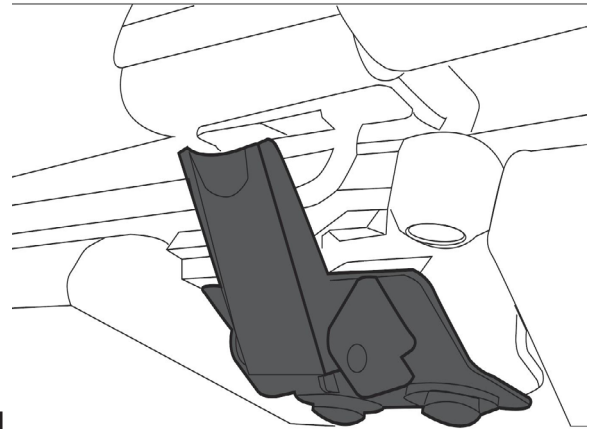
Installation Steps NOTE: Actual product may vary from illustration.

With both latches open as shown below, turn each hook until it grabs onto the soft top hoop with slight tension.



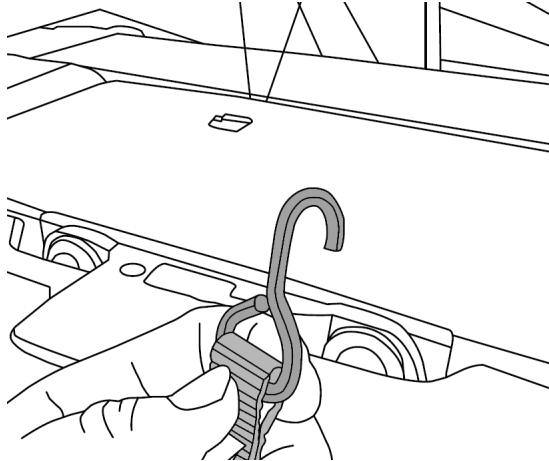
29

Close both latches and make sure both are snug, but not overly tight.



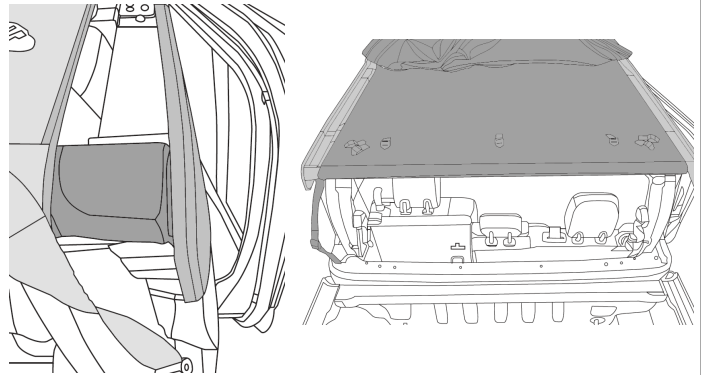
30

Wrap the 2 straps attached to the main section of fabric around the rear-middle of the sound bar. Hook into the holes of overhead brackets. Tighten the strap until snug.



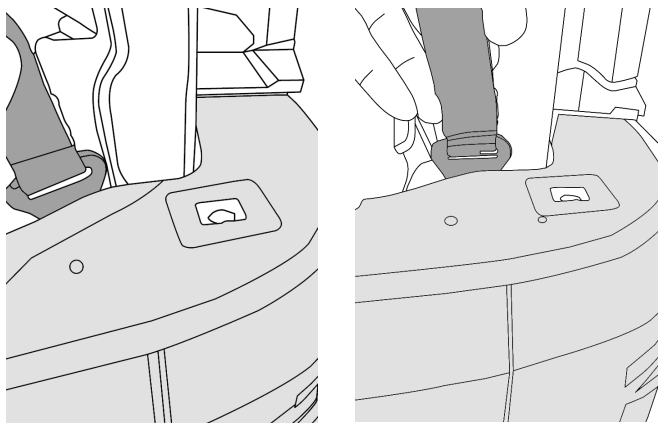
31

Locate the rear bow and insert into sleeve at rear of main skin, secure with hook and loop tab. Insert into tabs on PLASTIC UPPER CORNERS.



32

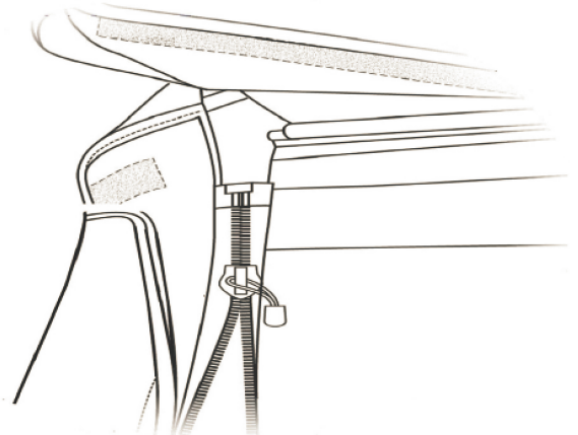
Install the hook on rear main straps to the inside of the tub-rail. The hook will slide between the tub-rail and the roll-bar. Now tighten strap.



33

Lift up the corners of the top fabric to expose the zippers on the side and rear windows.

Secure all windows to the Main Deck by zipping fully into place.

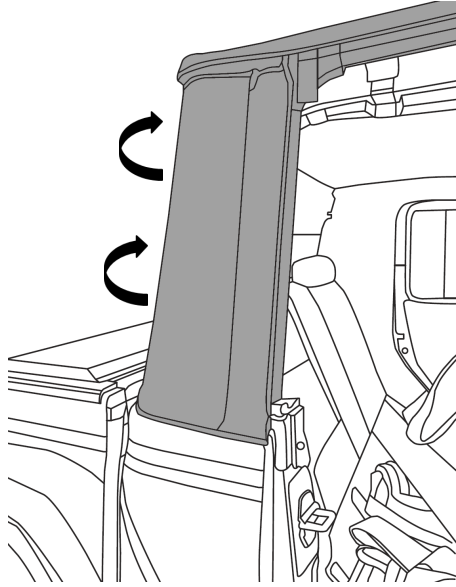


34

Installation Steps **NOTE: Actual product may vary from illustration.**

Locate the sewn-in plastic strip along the front edge of the Left Side Window.

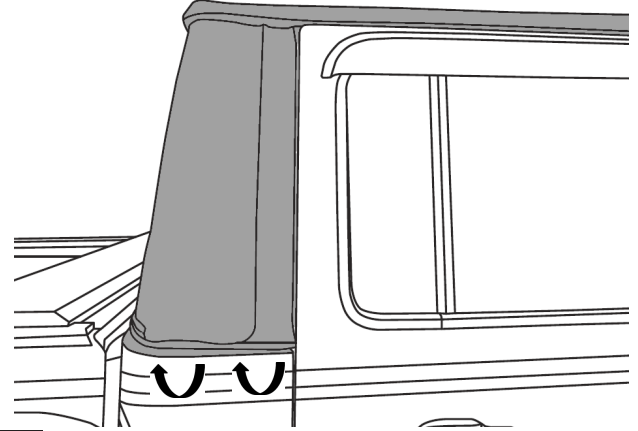
Tuck the plastic strip into the vertical channel along the outside face of the LH Upright.



35

Tuck the plastic strip along the bottom edge of the Left Side Window under the Jeep belt rail, by rolling it up underneath the belt rail, beginning at the door, and working your way backward.

Repeat on the Right Side Window.



36

Care and Cleaning

- Rampage parts are built to last. Use mild soap and a dry, clean cloth to wash your Trailview Soft Top.
- Do not use any harsh abrasive detergents or cleaning solvents of any kind.
- Periodically check and lubricate moving parts.

Congratulations!

You have purchased one of the many quality Rampage branded products offered by Lund International, Inc. We take the utmost pride in our products and want you to enjoy years of satisfaction from your investment. We have made every effort to ensure that your product is of the highest quality for fit, durability, finish, and ease of installation.