

INSTALLATION INSTRUCTIONS

CUSTOMER SERVICE

Phone: 800-952-7655 • MON - FRI 8:00 am - 5:00 pm EST

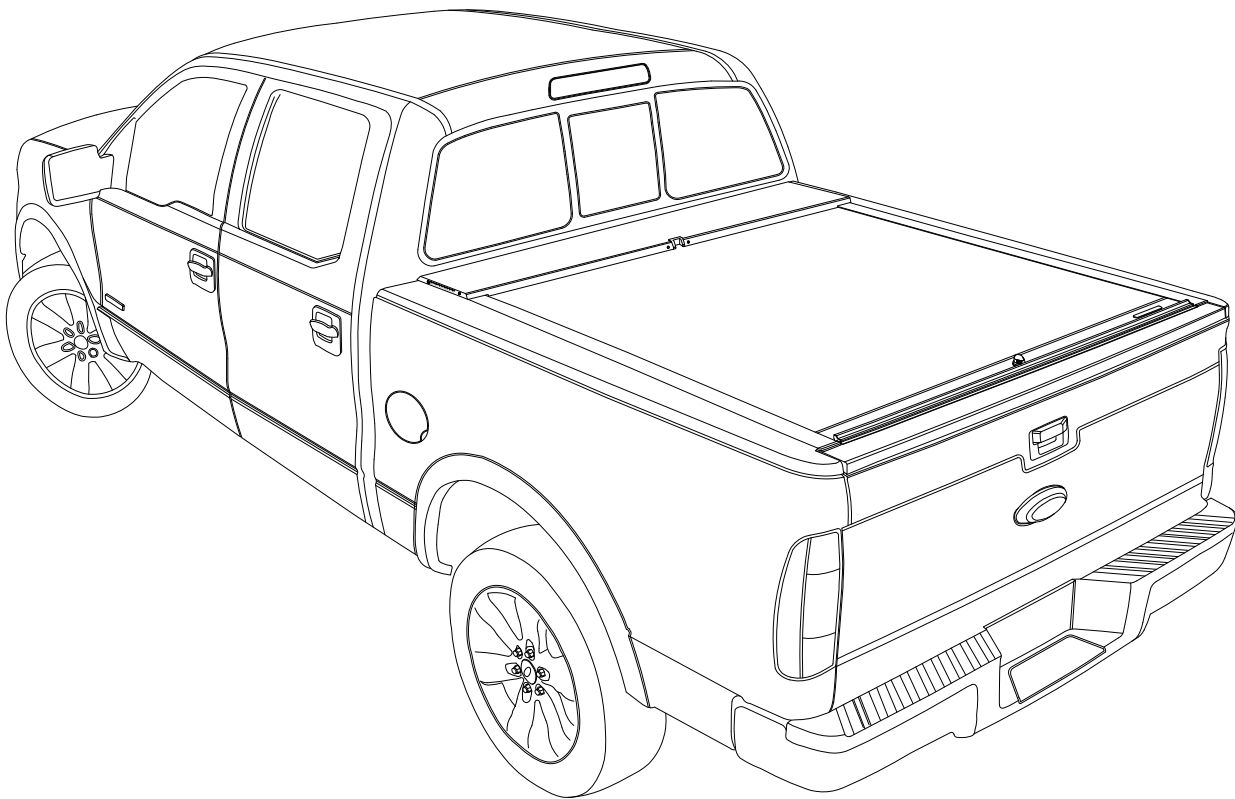
Email: INFO@ROLLNLOCK.COM



Installation Guide

2004 - 2008

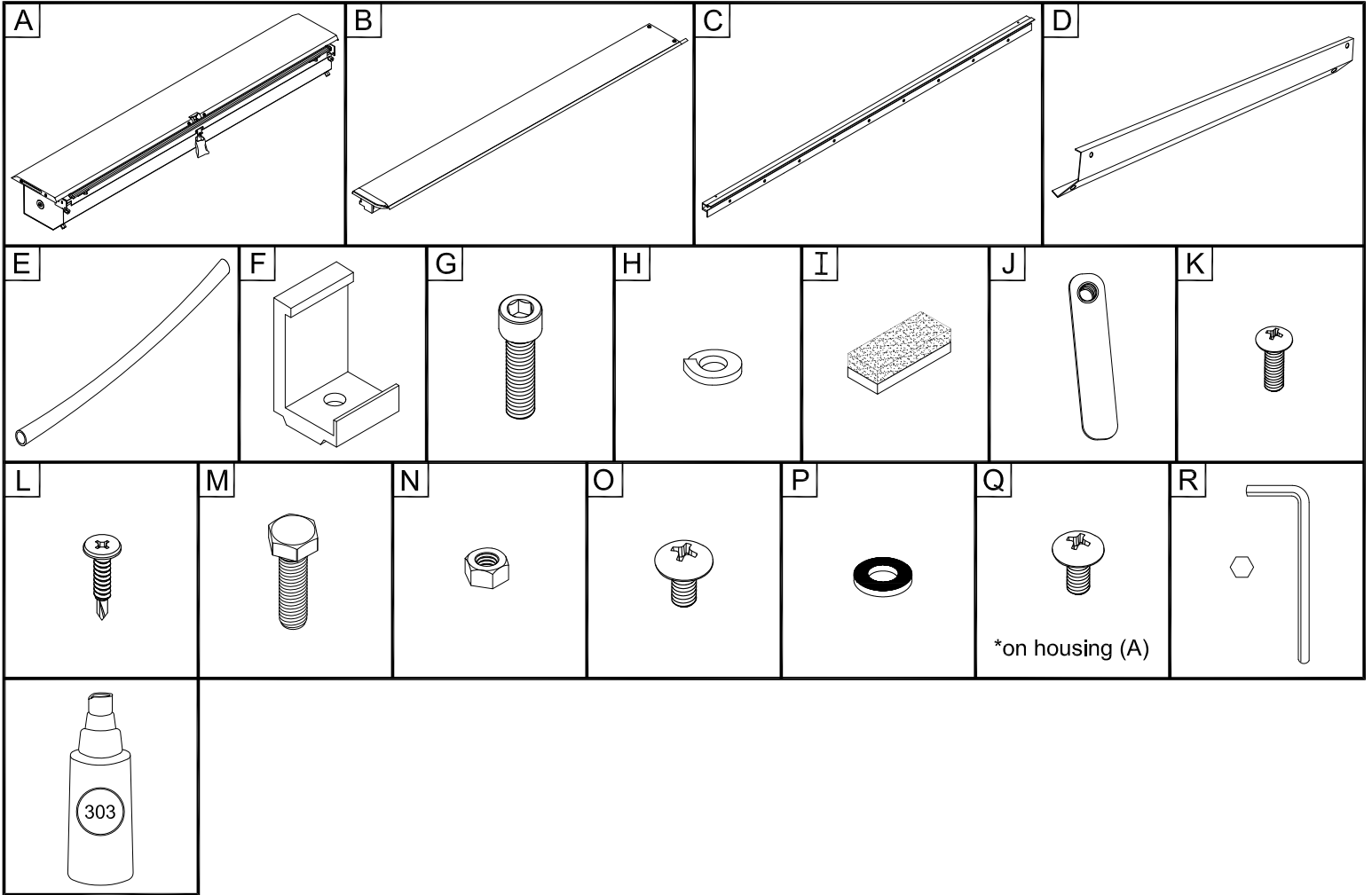
Ford F-150



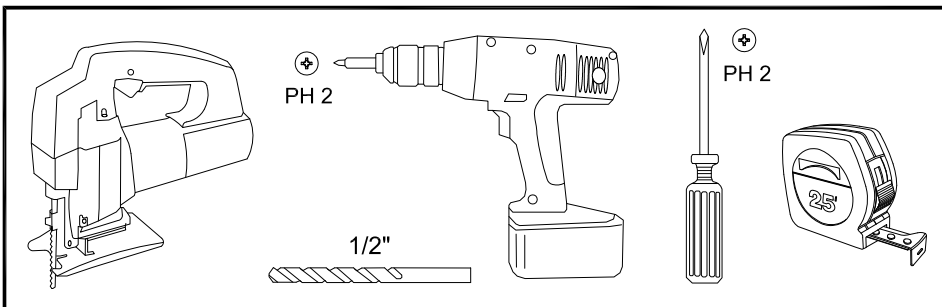
Product Code
108-118-170

Parts List

Item	Part Name	Qty.	Item	Part Name	Qty.	Item	Part Name	Qty.
A	Housing	1	G	5/16" Socket Cap Screw	6/8	M	1/4-20 x 1" Bolt	2
B	Track	2	H	5/16" Lock Washer	6/8	N	1/4-20 Hex Nut	2
C	Tailgate Extrusion	1	I	1/8" Shim	2	O	1/4-20 x 3/8" Screw	4
D	Cargo Shield	1	J	Cargo Nut	2	P	Rubber Washer	4
E	Drain Tube	2	K	#10-24 Screw	2	Q	1/4" Lid Screw	2
F	Bed Clamps	6/8	L	#8 x 1 1/4" Self Tap Screw	5	R	Allen Wrench (1/4")	1
							303 Vinyl Protector	1



Tools Needed



1a If no bedliner present
proceed to
page 4 - step 1

Tailgate Protector Panel
mark cut line

2"

Tailgate

Bedliner

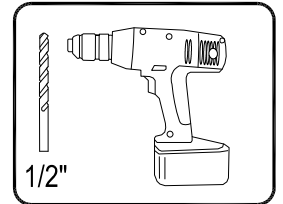
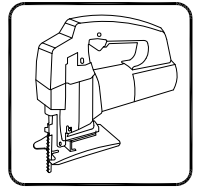
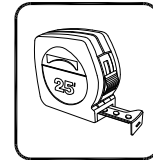
Tailgate Protector
Panel

1b

Drill (5) 1/2" hole

5"

X = 108-170 Housing = Cut 7" Deep
X = 118 Housing = Cut 8" Deep



1/2"

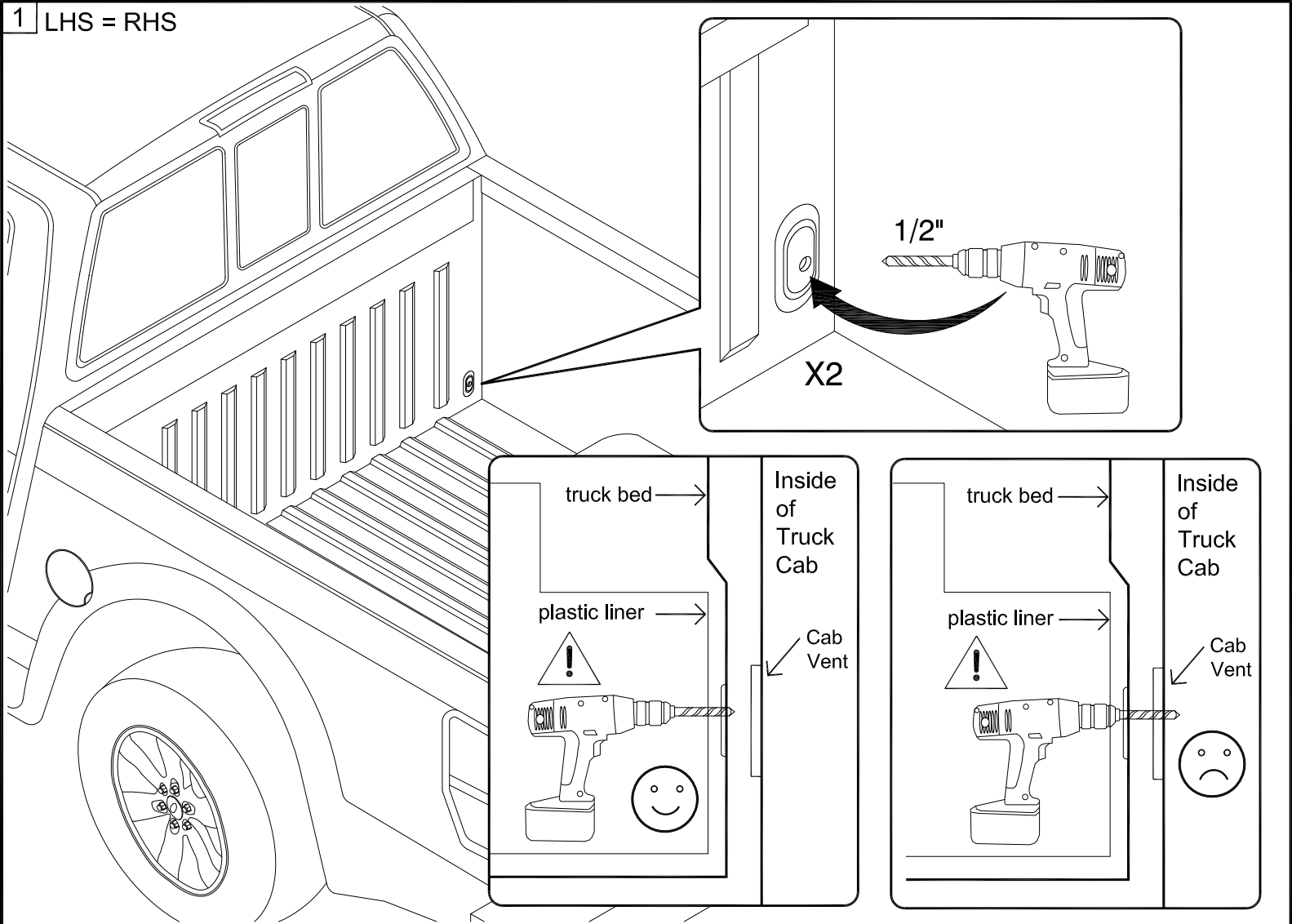
2" Cut Line

1c

Bedliner

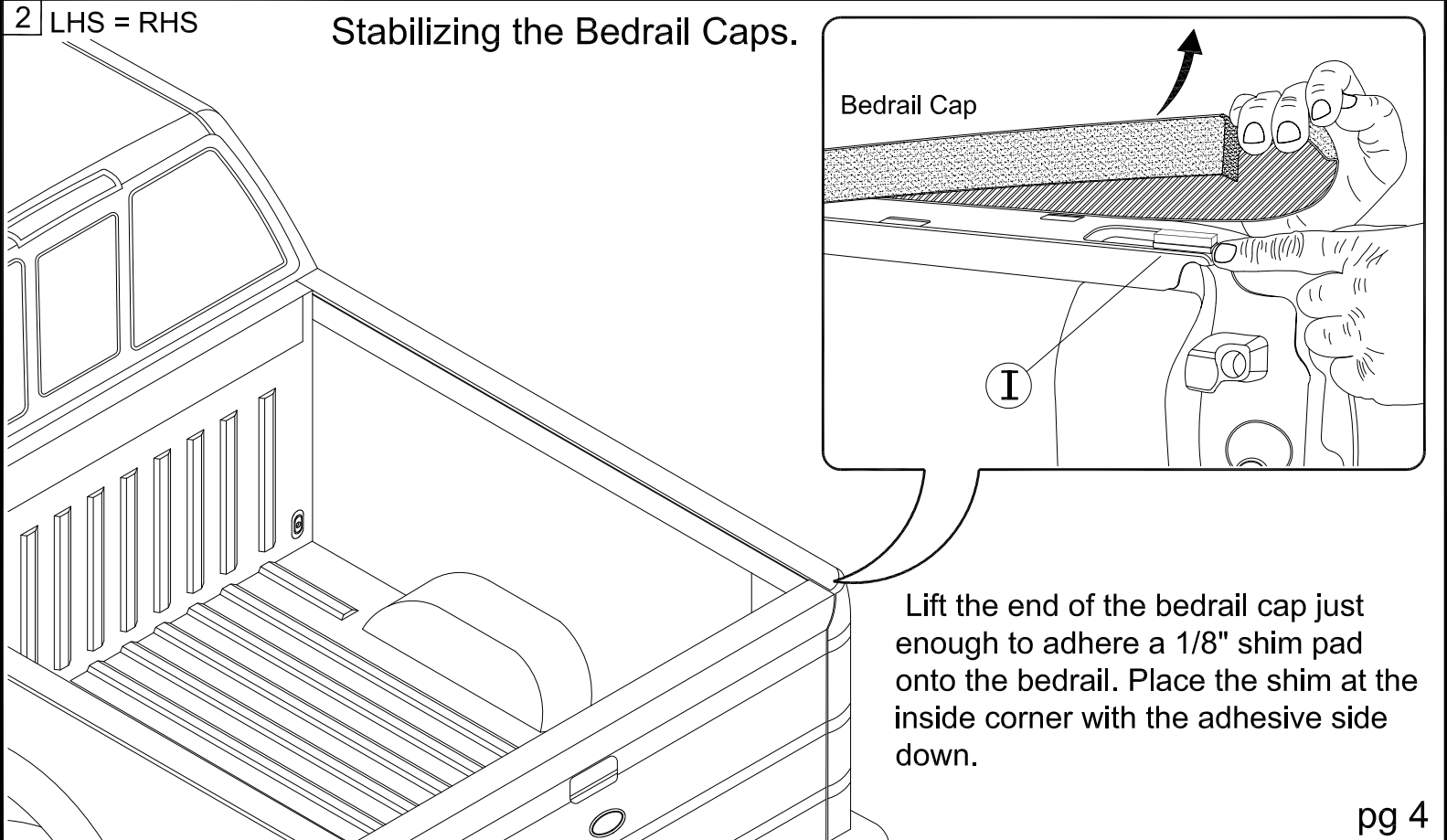
Tailgate Protector
Panel

1 LHS = RHS



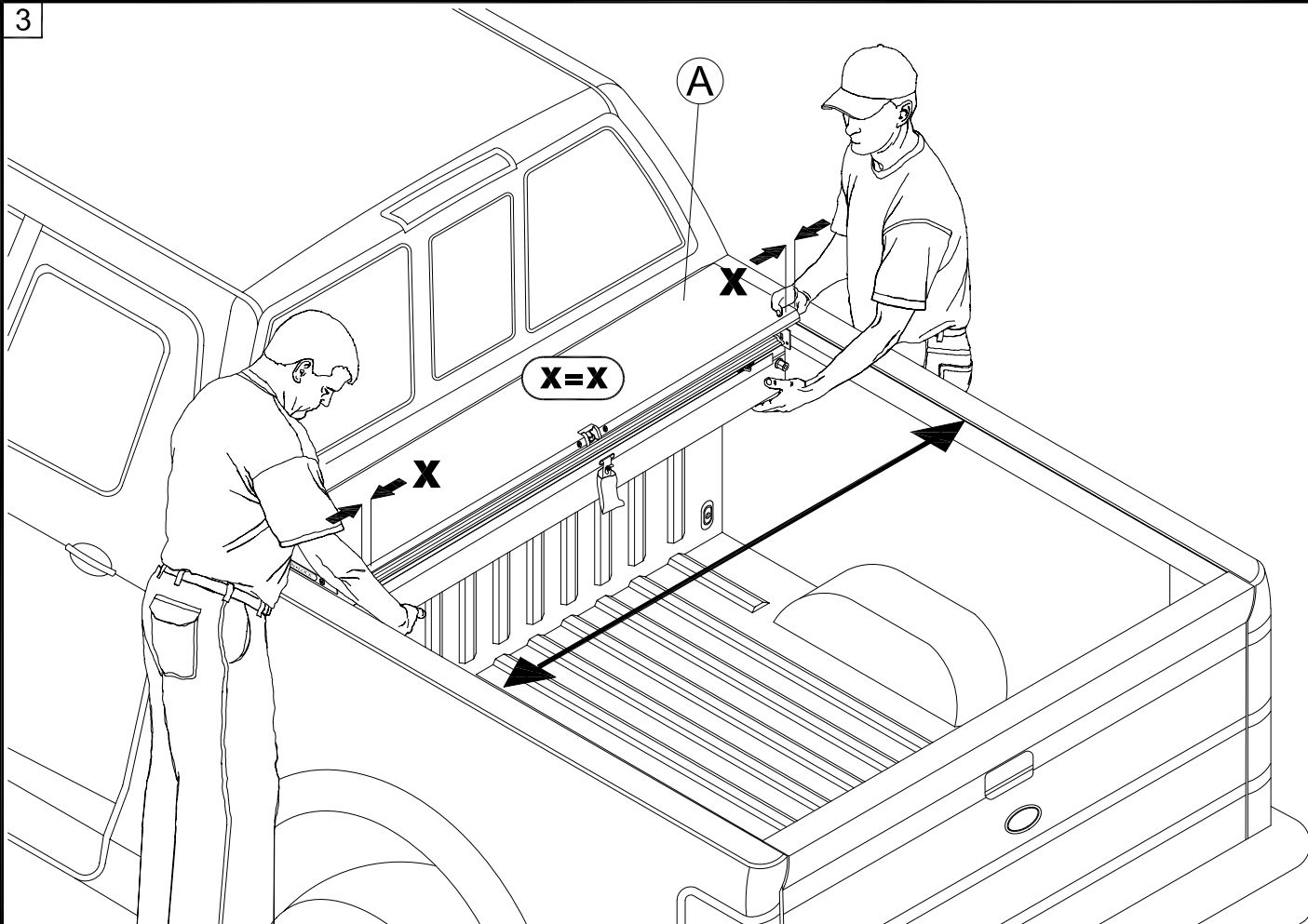
2 LHS = RHS

Stabilizing the Bedrail Caps.

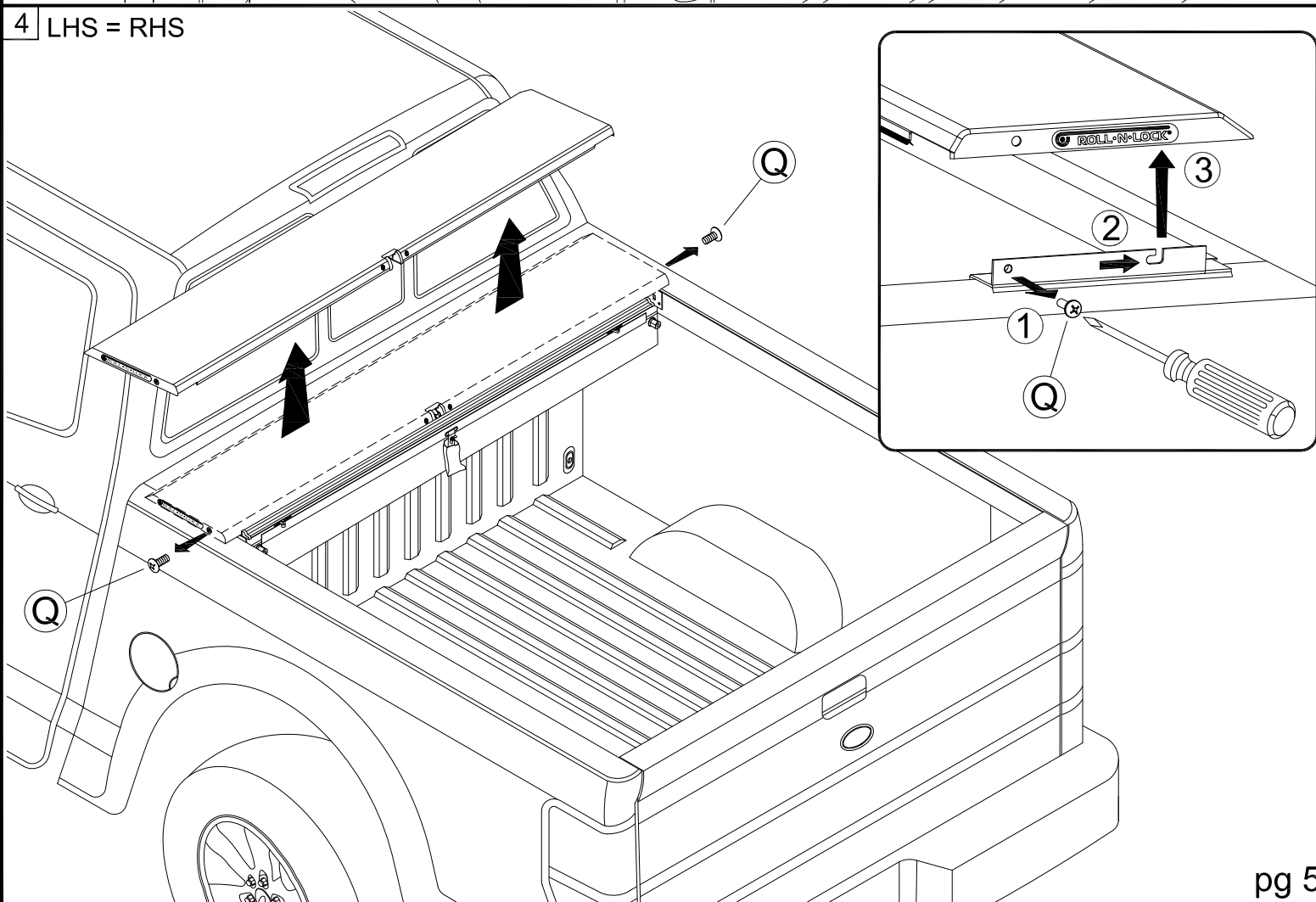


Lift the end of the bedrail cap just enough to adhere a 1/8" shim pad onto the bedrail. Place the shim at the inside corner with the adhesive side down.

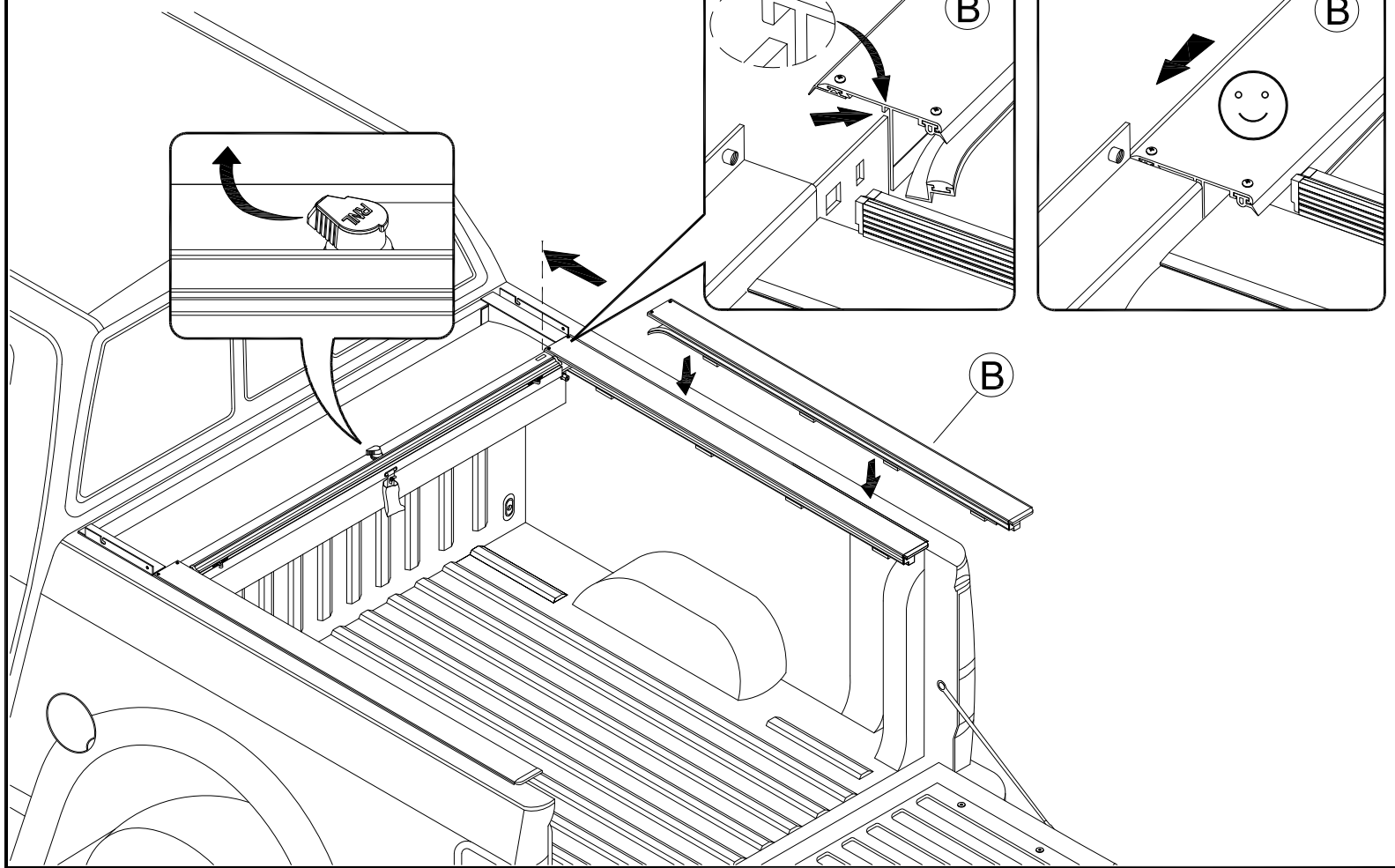
3



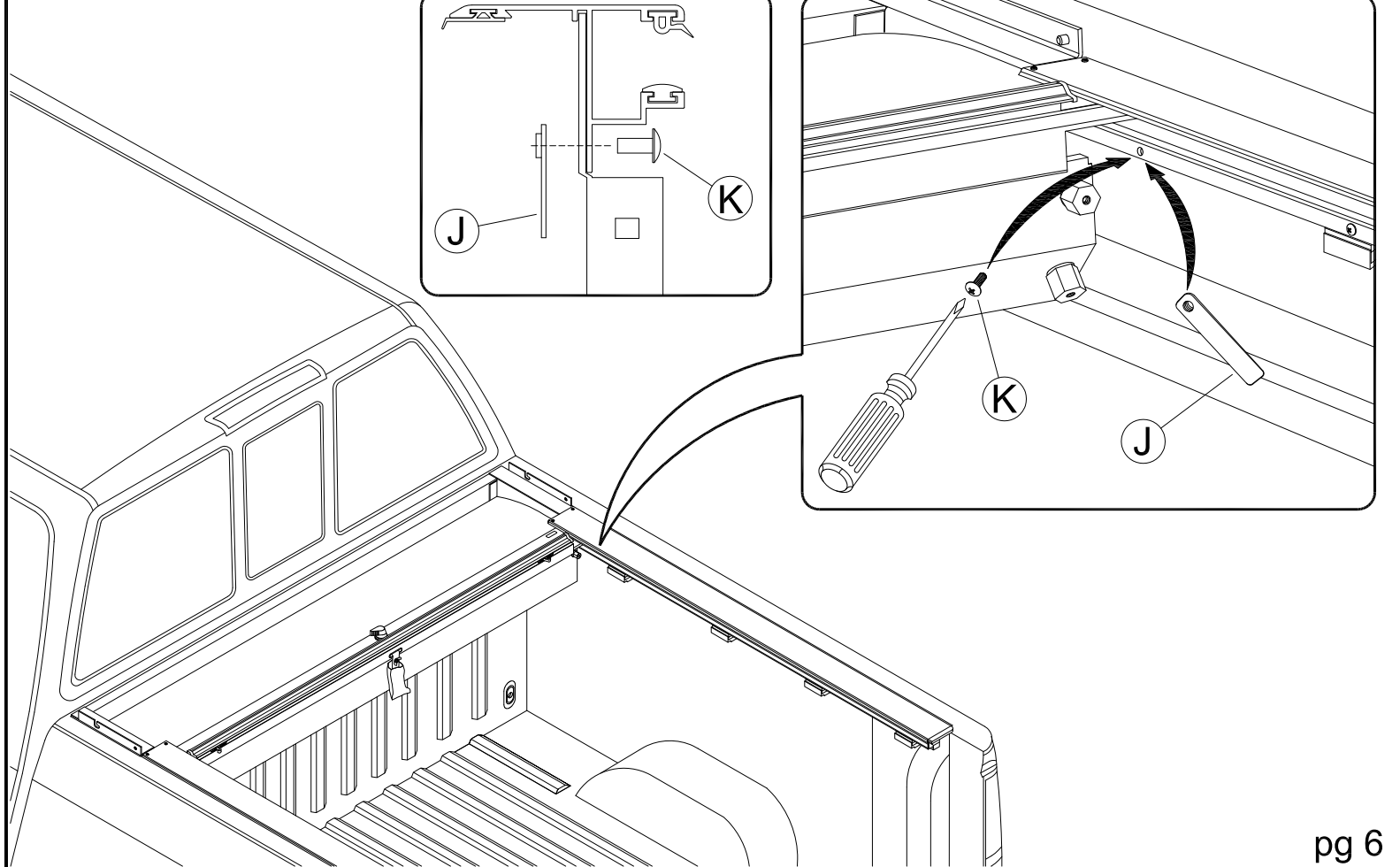
4 LHS = RHS



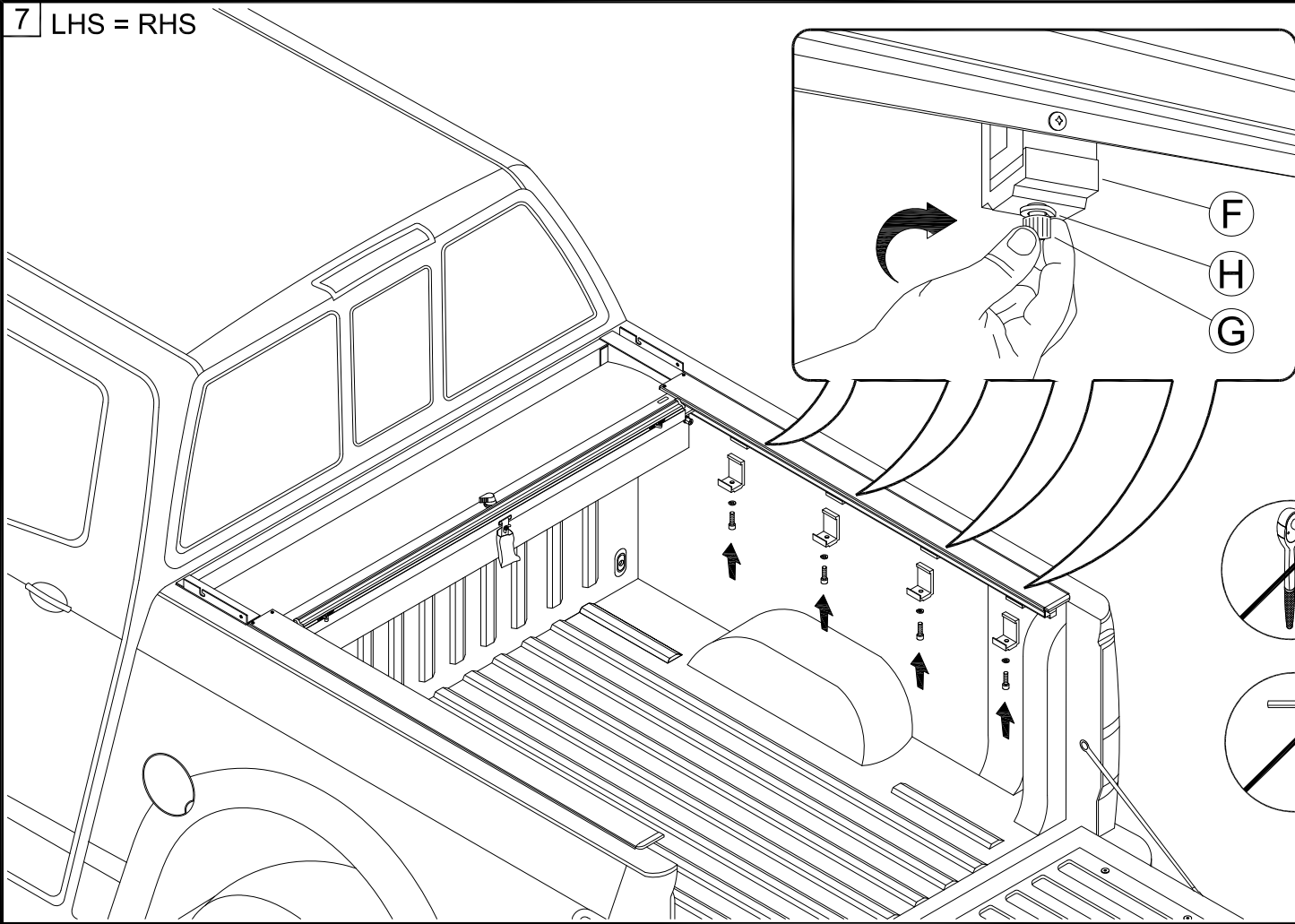
5 LHS = RHS



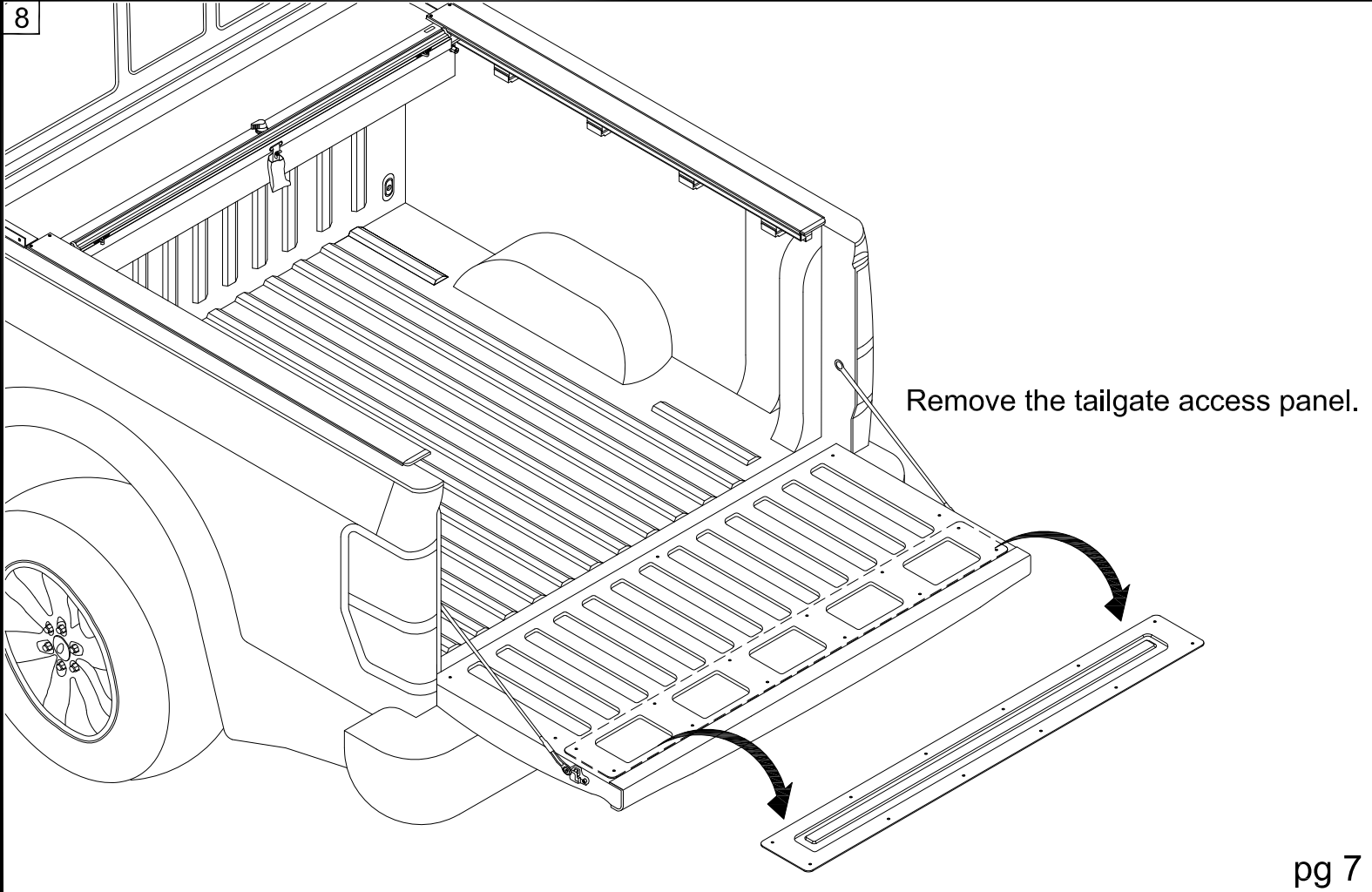
6 LHS = RHS



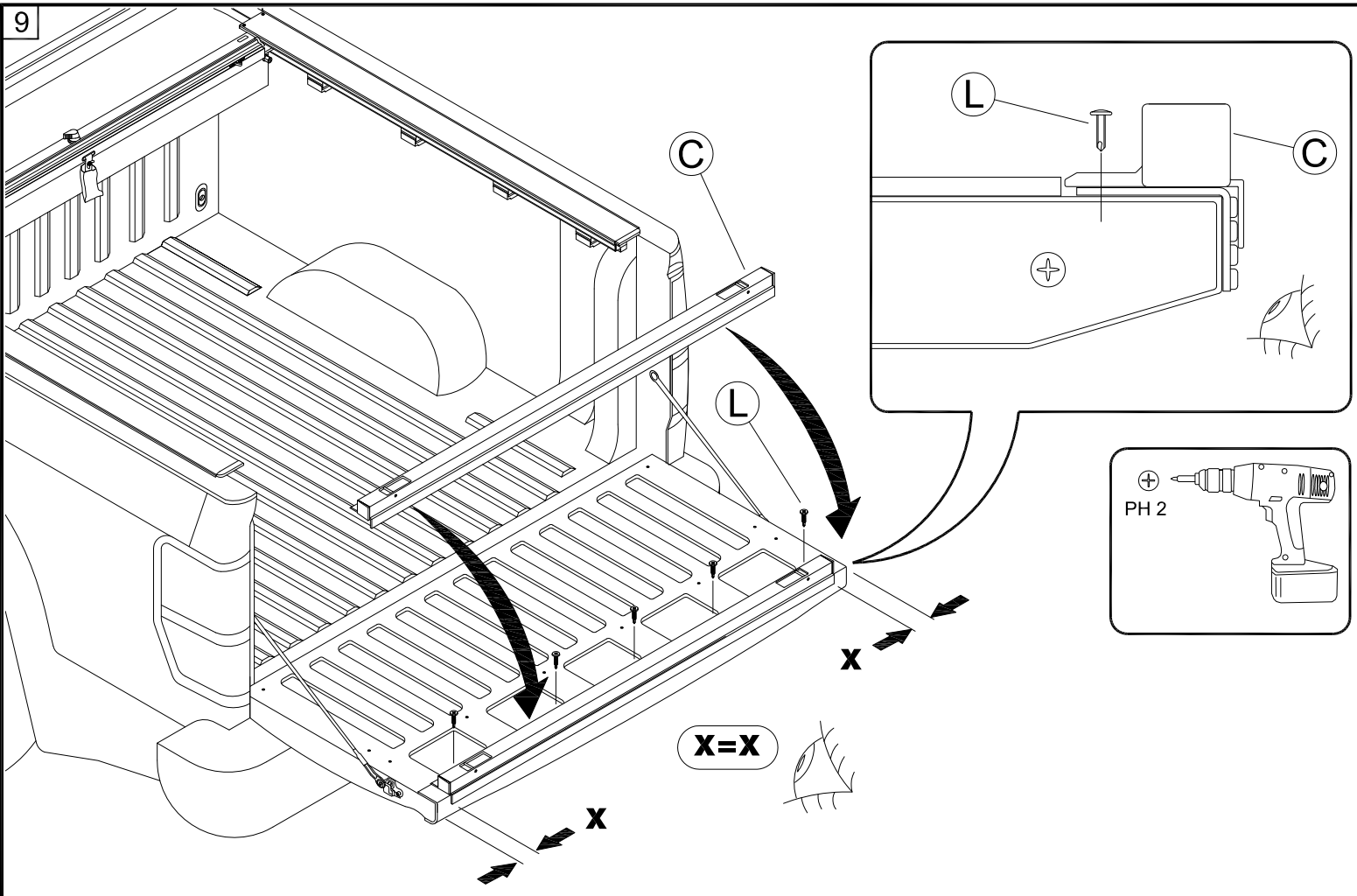
7 LHS = RHS



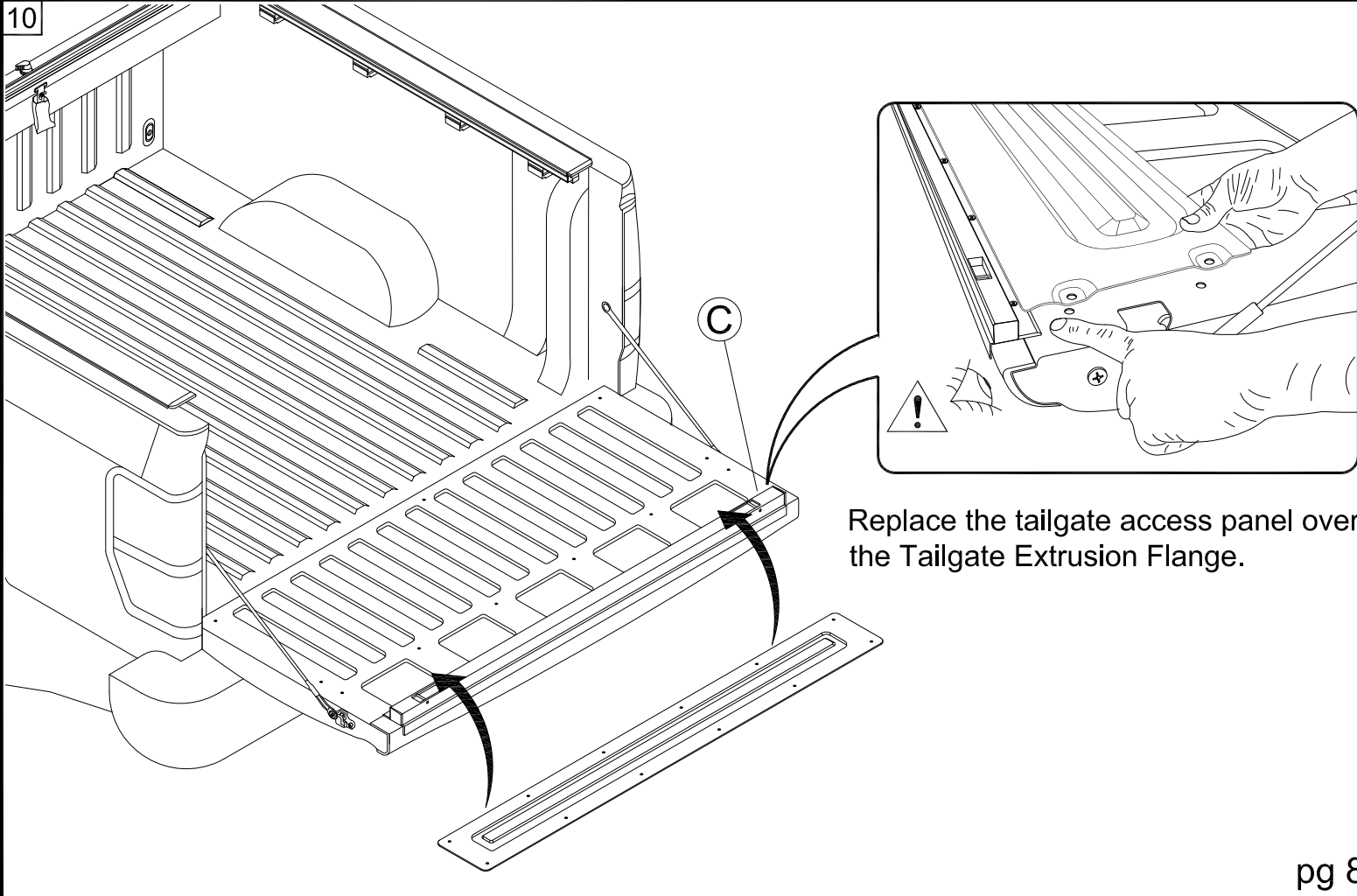
8



9

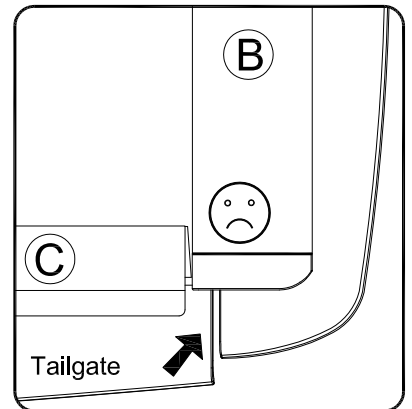
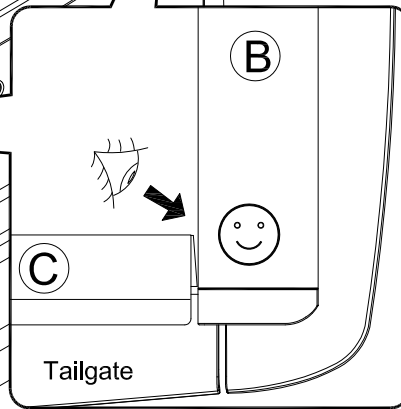
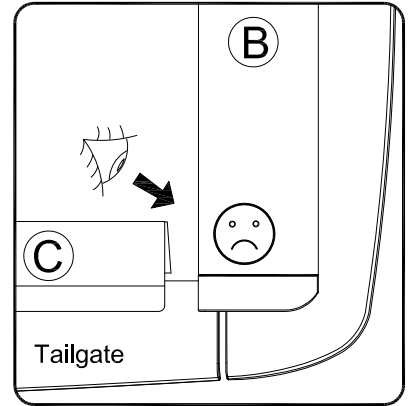
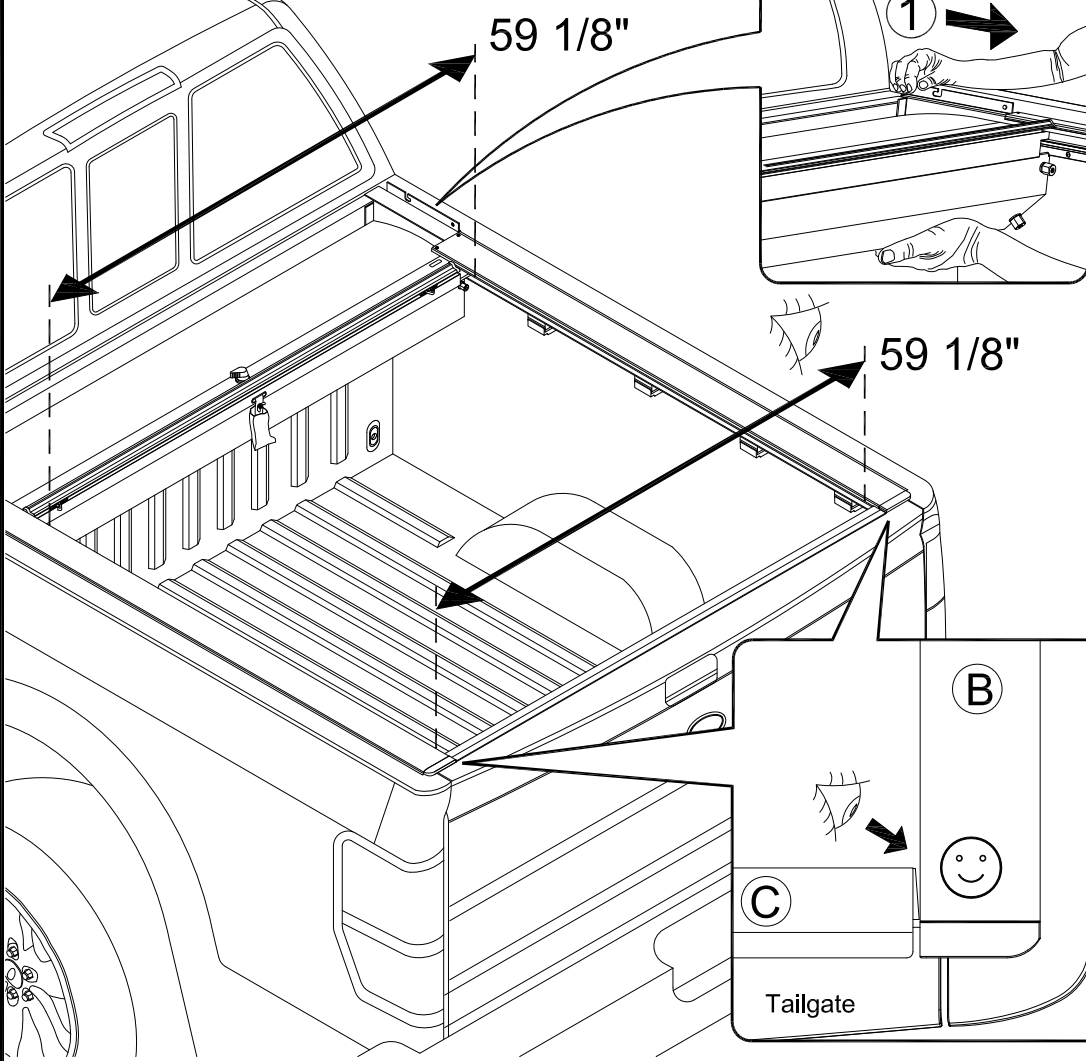


10

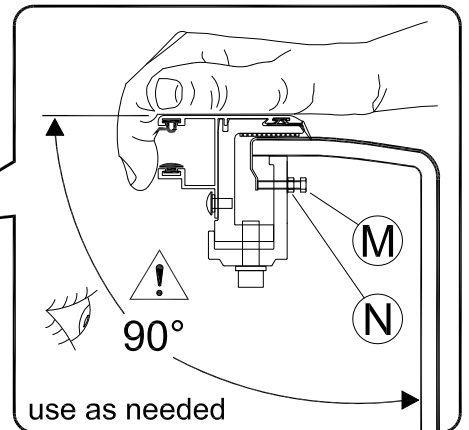
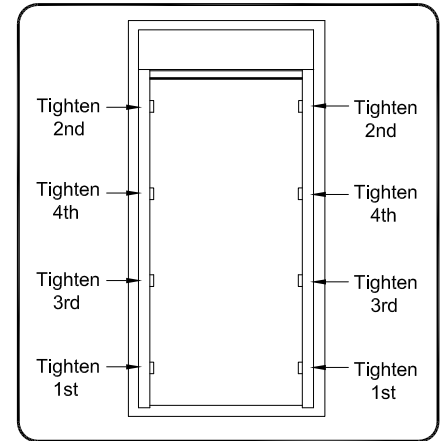
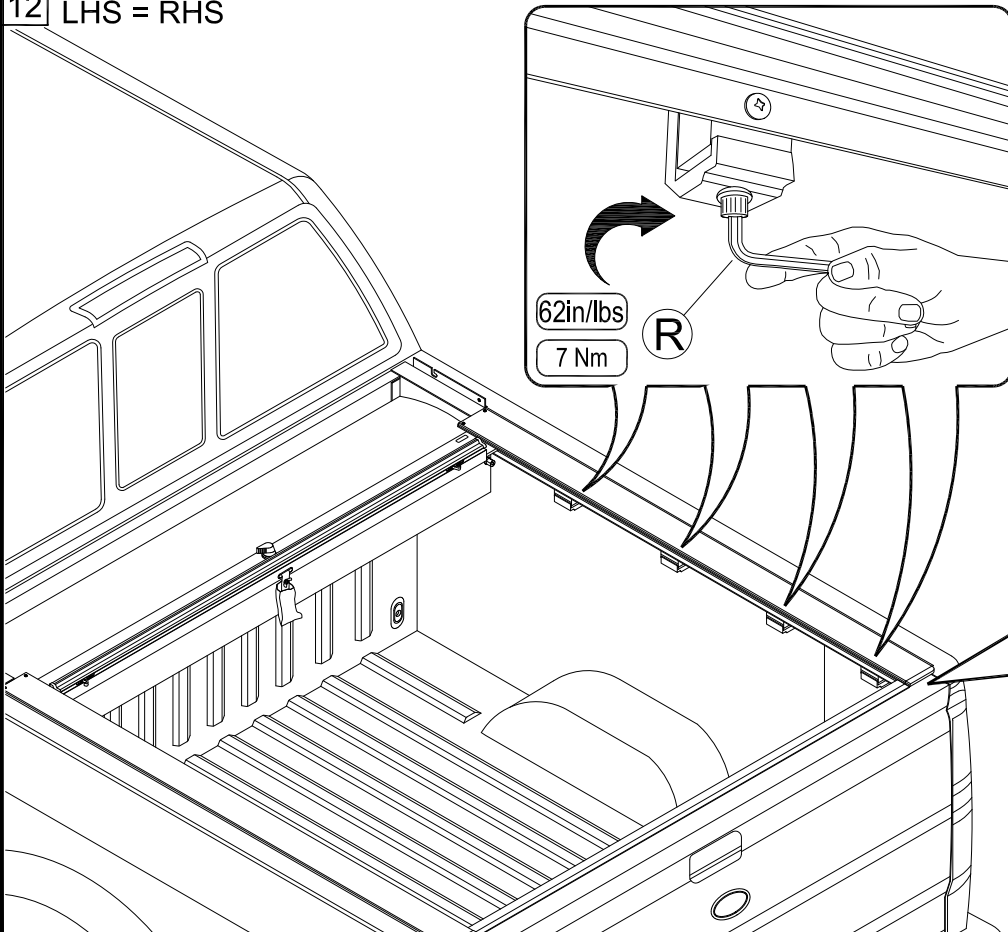


Replace the tailgate access panel over the Tailgate Extrusion Flange.

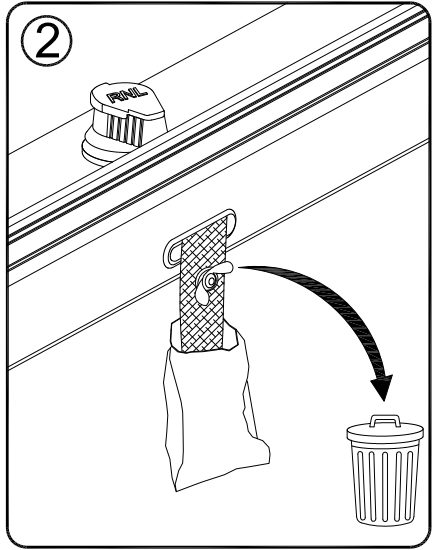
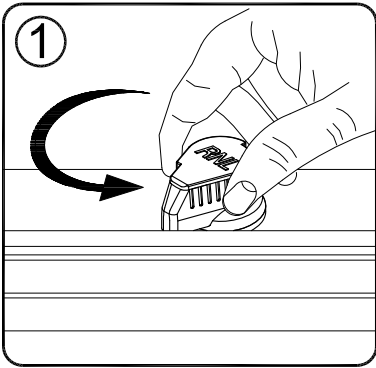
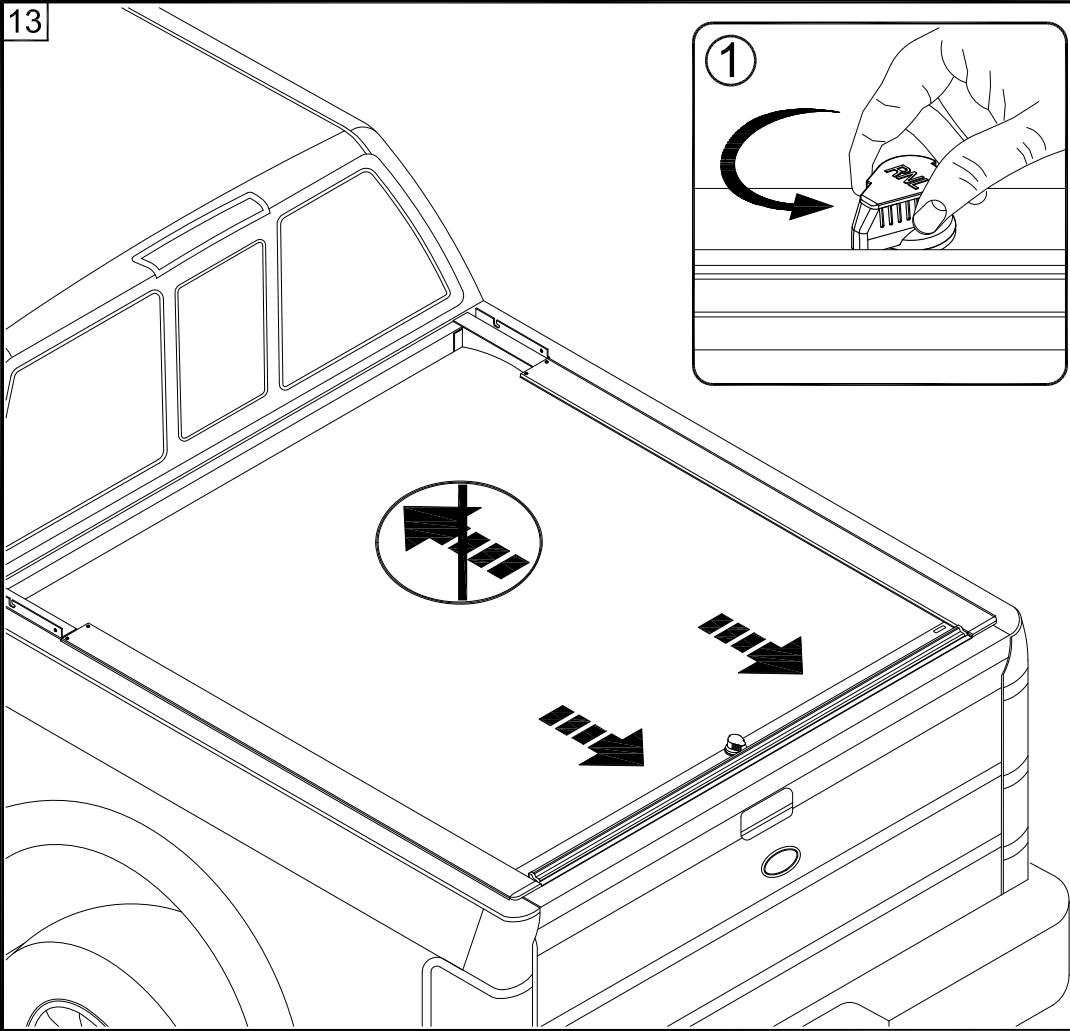
11 LHS = RHS



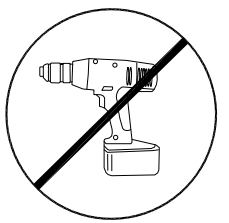
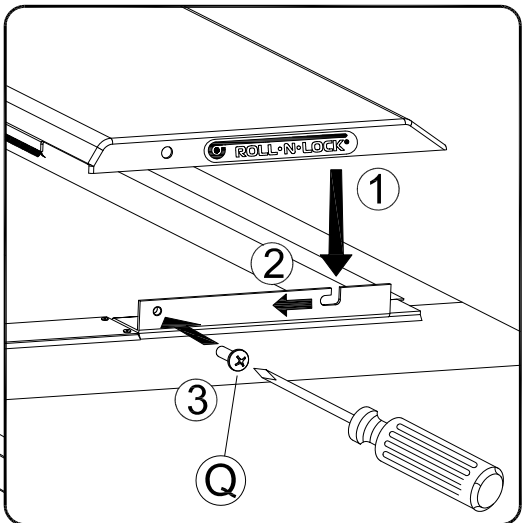
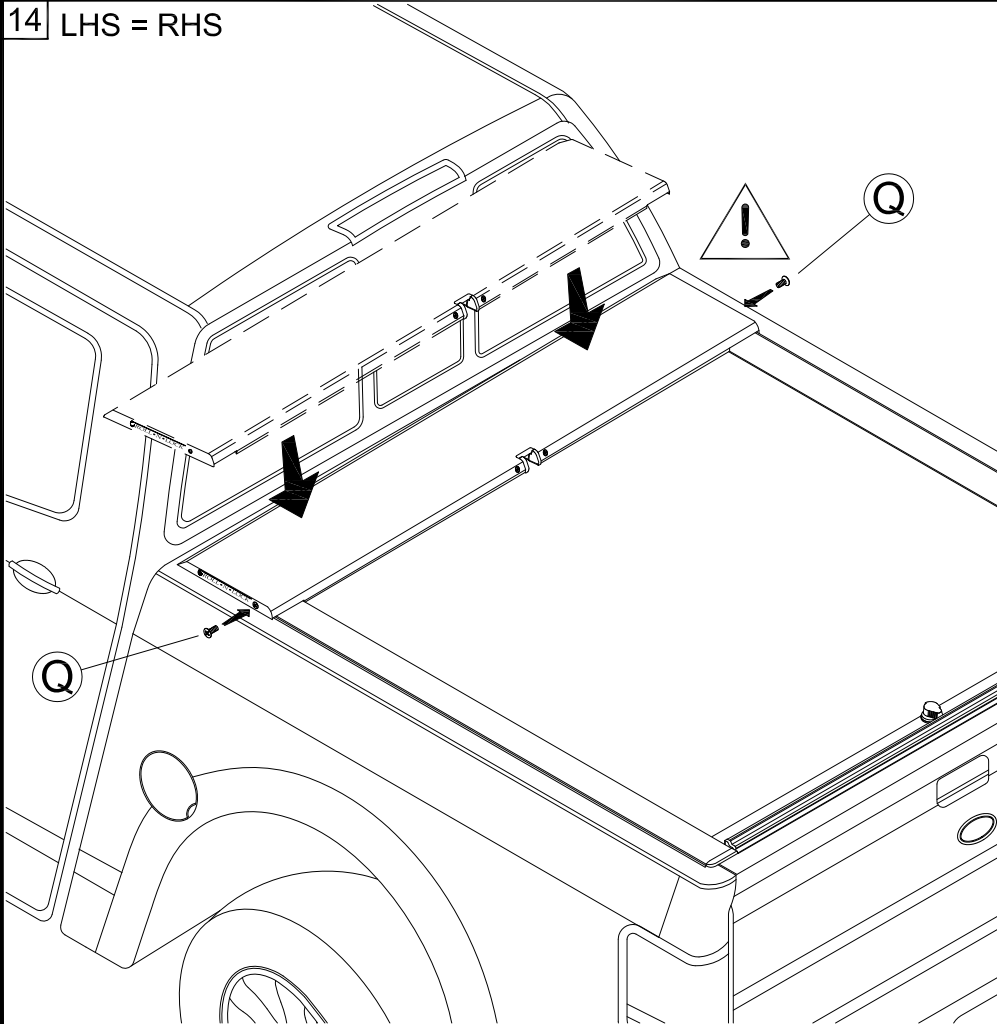
12 LHS = RHS



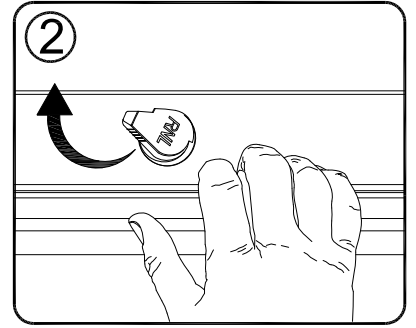
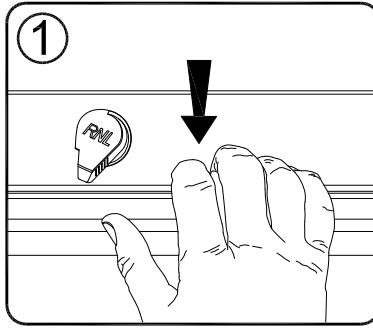
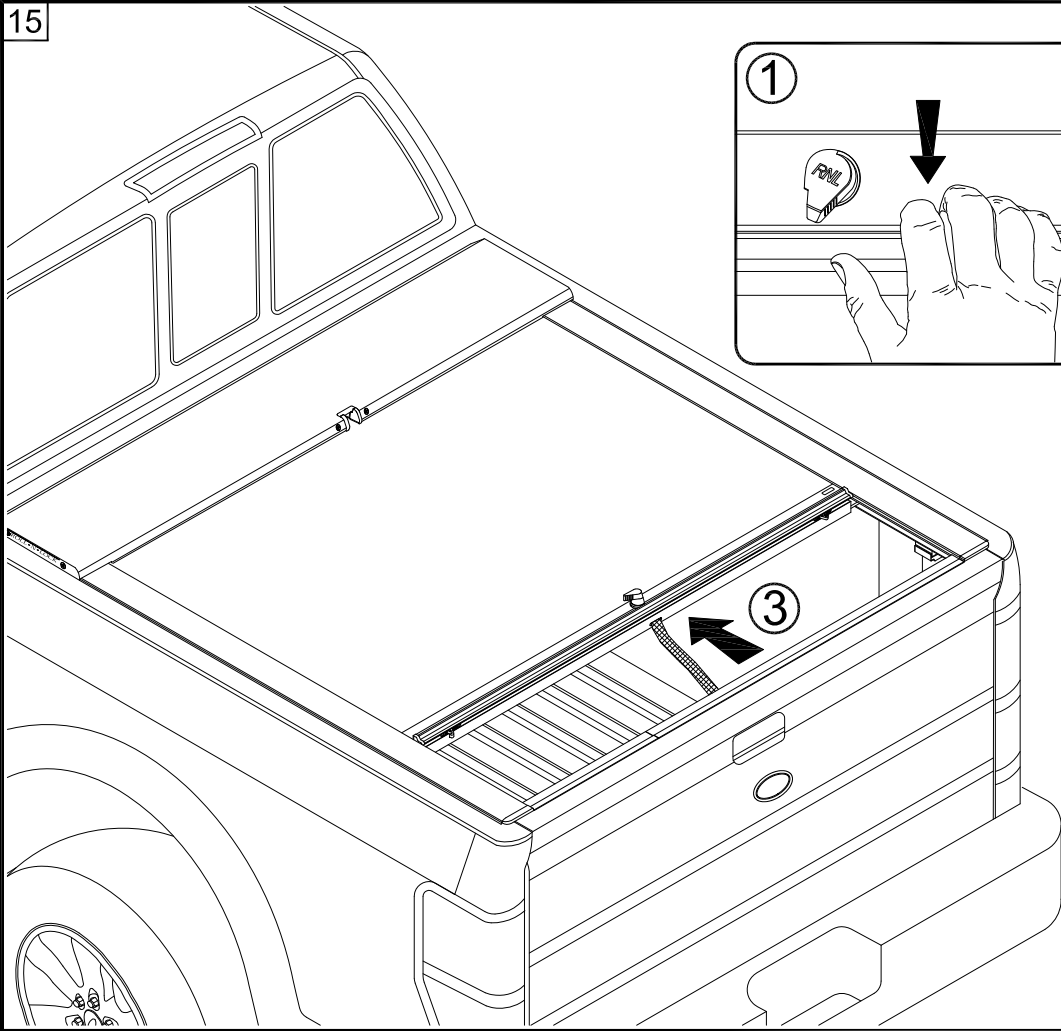
13



14 LHS = RHS

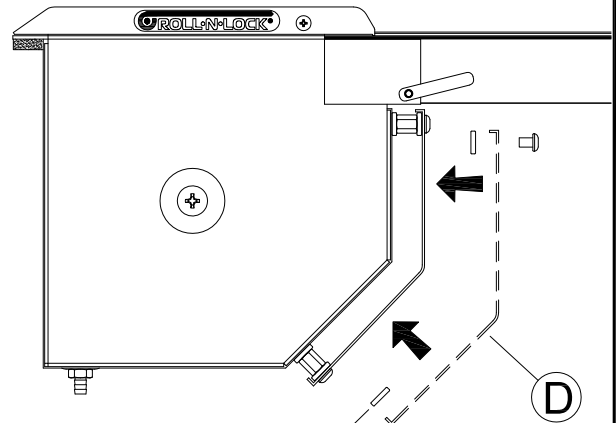
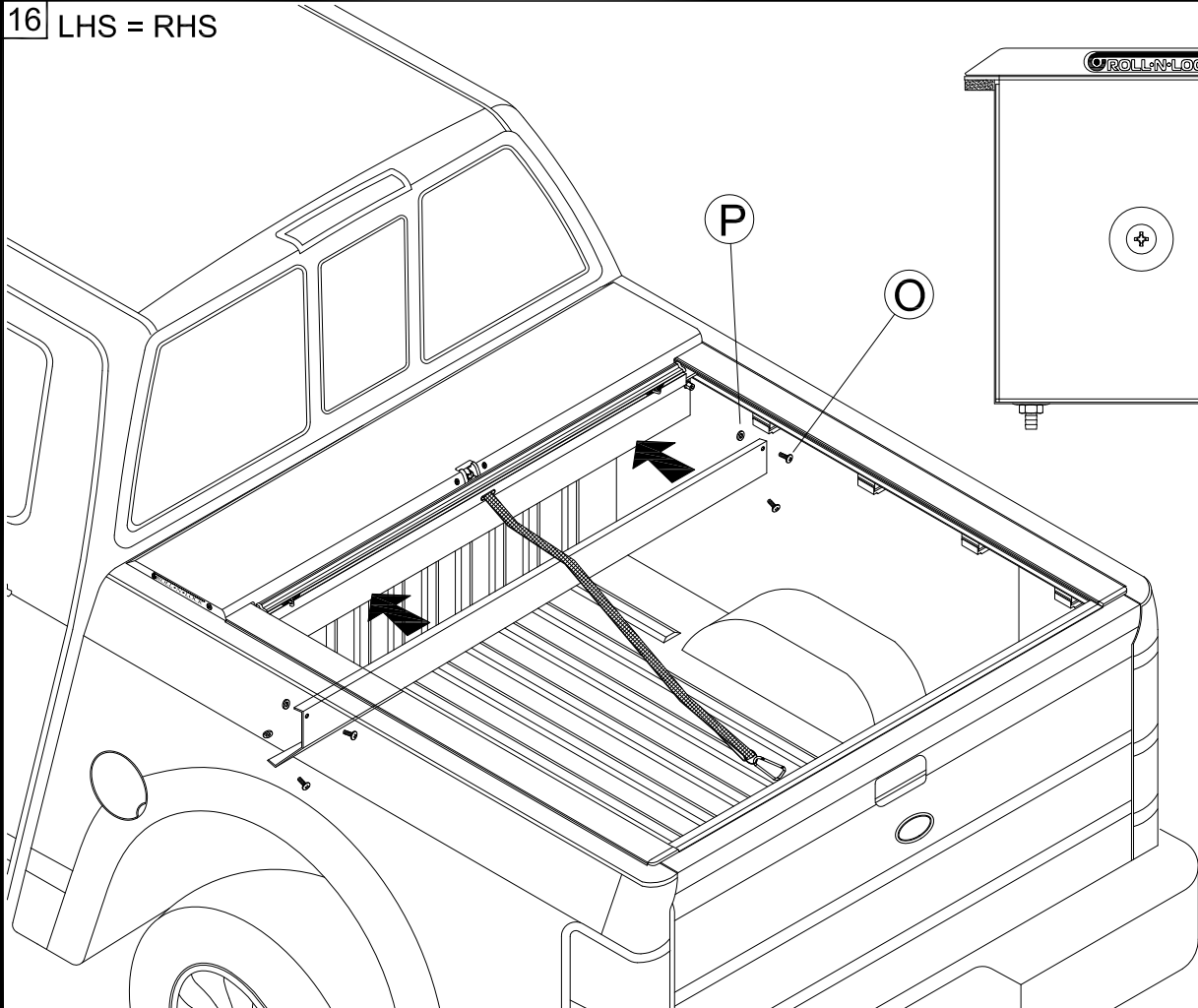


15

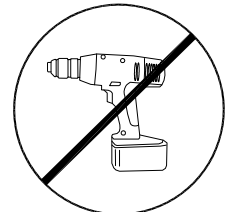


3

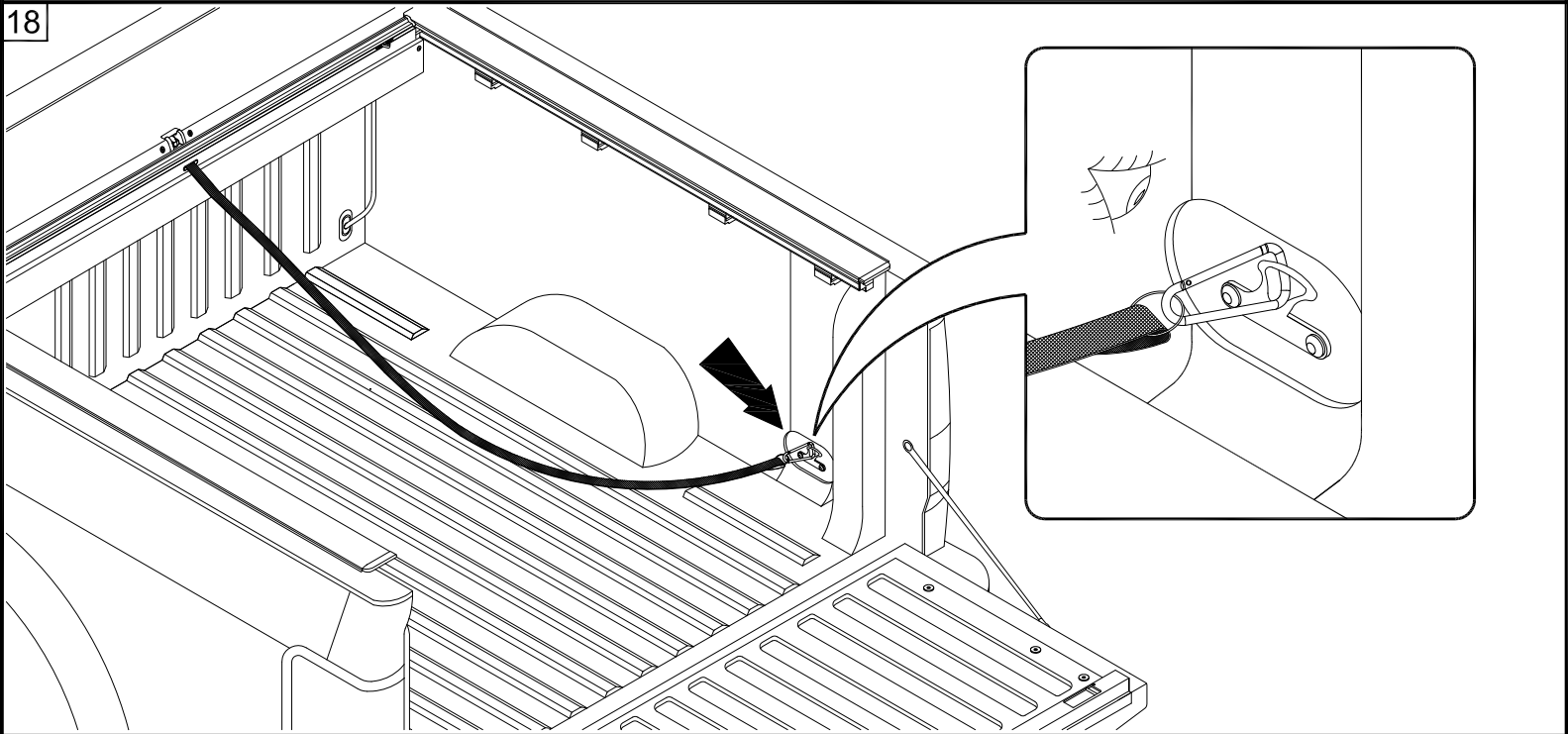
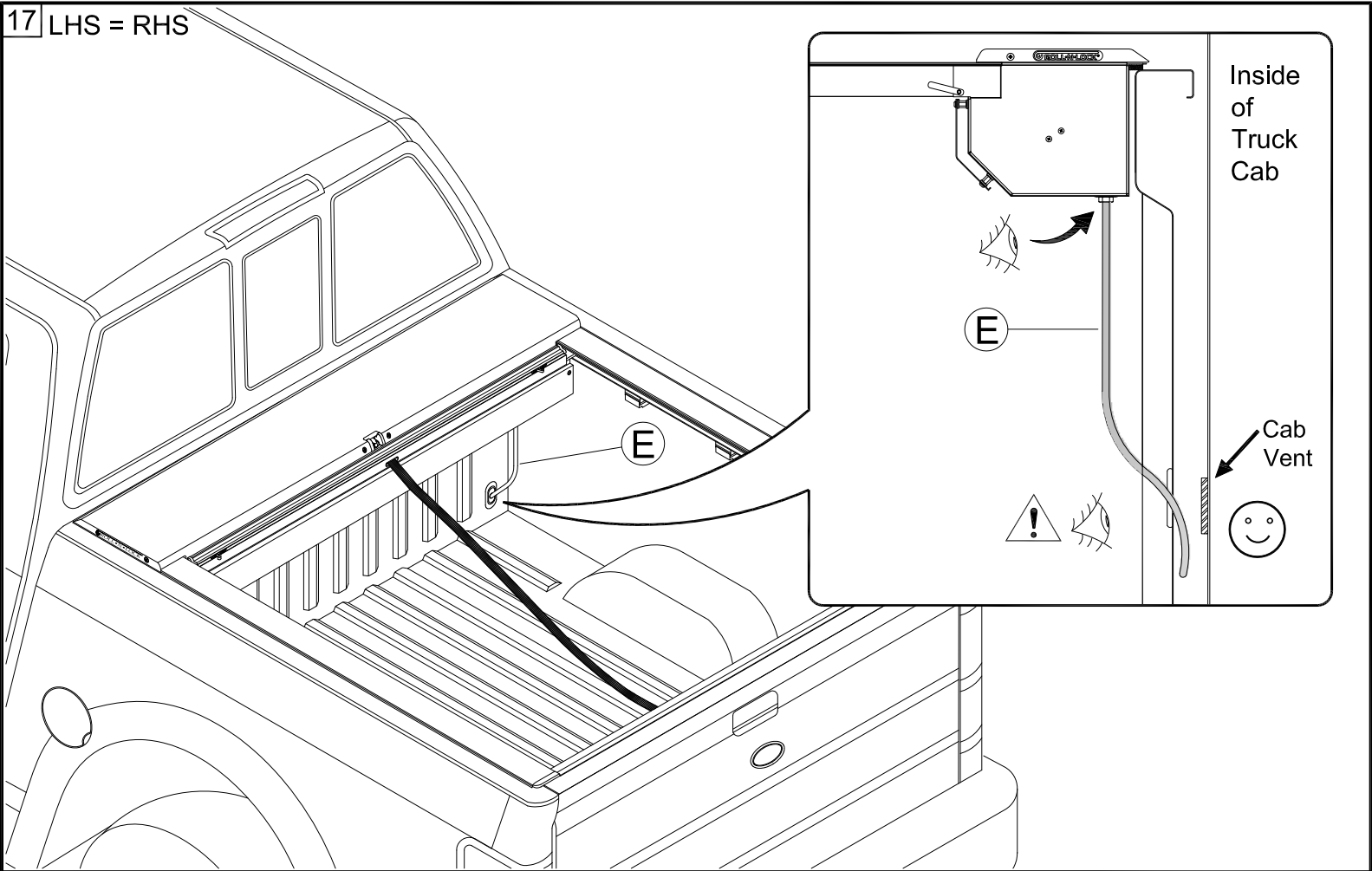
16 LHS = RHS



P
O



17 LHS = RHS



ROLL·N·LOCK®

Any questions please call Roll·N·Lock
Customer Service at 800-952-7655 or rollnlock.com