

# INSTALLATION INSTRUCTIONS

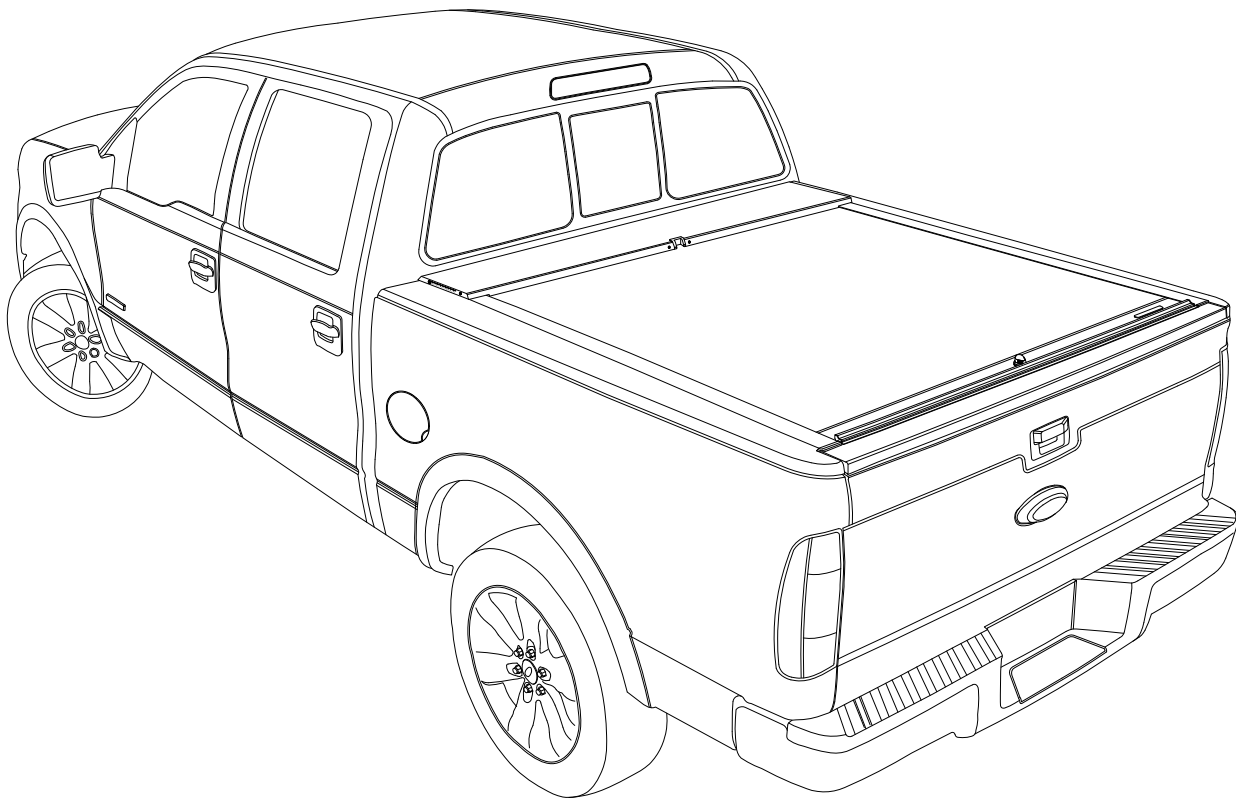
## CUSTOMER SERVICE

Phone: 800-952-7655 • MON - FRI 8:00 am - 5:00 pm EST

Email: [INFO@ROLLNLOCK.COM](mailto:INFO@ROLLNLOCK.COM)



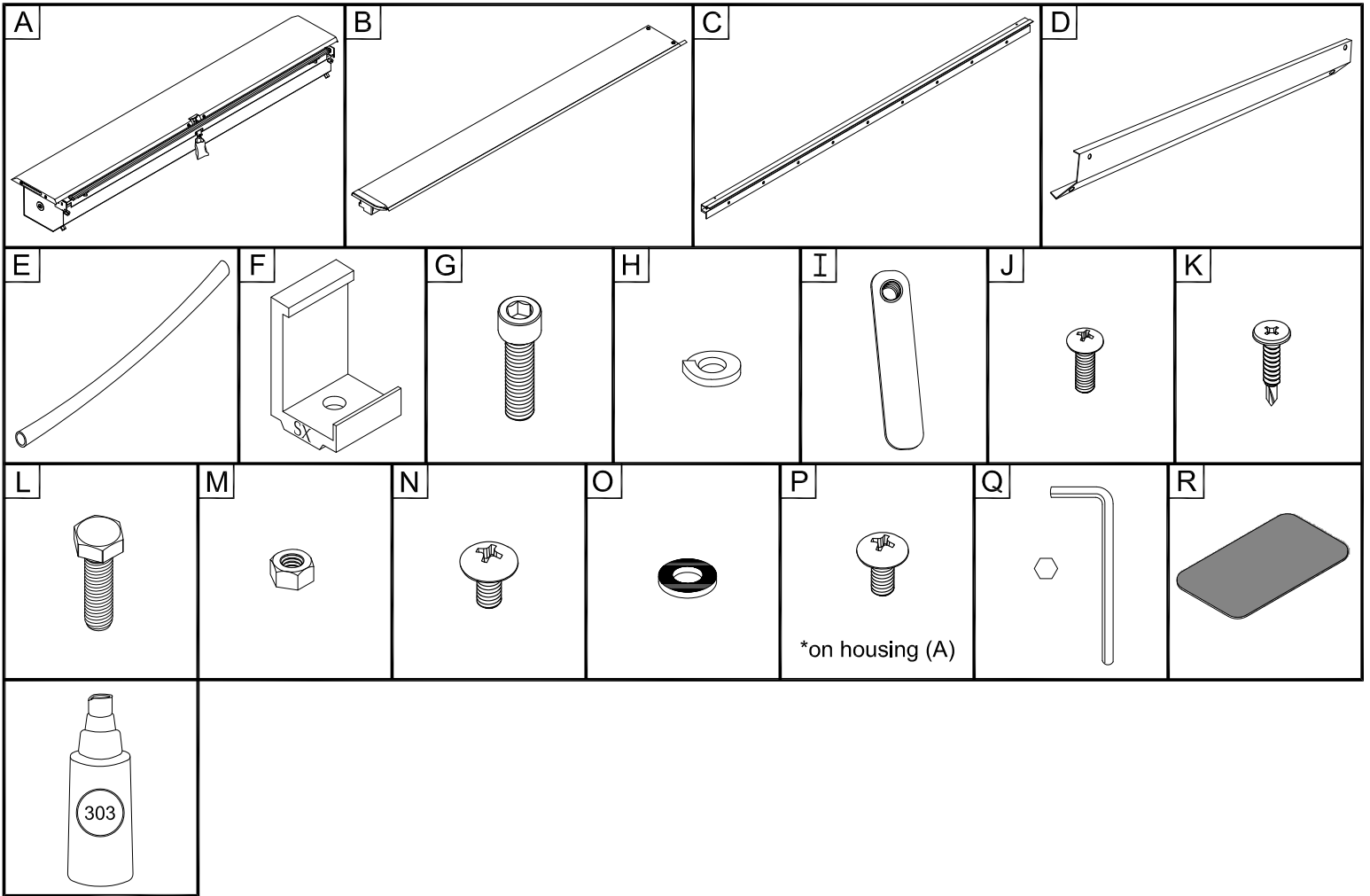
Installation Guide  
1999 - 2007  
Ford F-250 & F-350 Super Duty



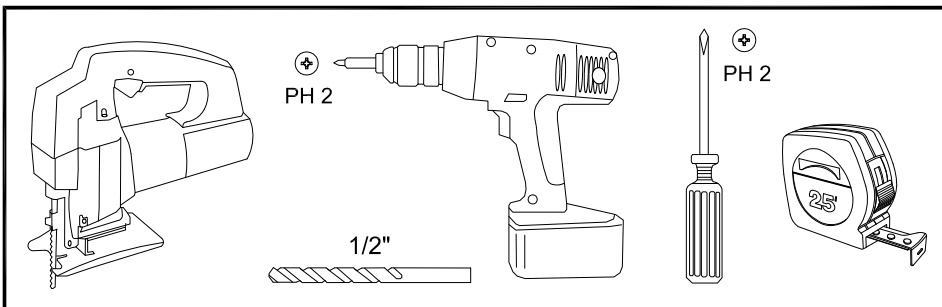
Product Code  
107-117

# Parts List

| Item | Part Name          | Qty. | Item | Part Name                  | Qty. | Item | Part Name                | Qty. |
|------|--------------------|------|------|----------------------------|------|------|--------------------------|------|
| A    | Housing            | 1    | G    | 5/16" Socket Cap Screw     | 8    | M    | 1/4-20 Hex Nut           | 2    |
| B    | Track              | 2    | H    | 5/16" Lock Washer          | 8    | N    | 1/4-20 x 3/8" Screw      | 4    |
| C    | Tailgate Extrusion | 1    | I    | Cargo Nut                  | 2    | O    | Rubber Washer            | 4    |
| D    | Cargo Shield       | 1    | J    | #10-24 Screw               | 2    | P    | 1/4" Lid Screw           | 2    |
| E    | Drain Tube         | 2    | K    | #8 x 1 1/4" Self Tap Screw | 5    | Q    | Allen Wrench (1/4")      | 1    |
| F    | "SX" Bed Clamps    | 8    | L    | 1/4-20 x 1" Bolt           | 2    | R    | Metal Stake Pocket Cover | 1    |
|      |                    |      |      |                            |      |      | 303 Vinyl Protector      | 1    |



## Tools Needed



1a If no bedliner present  
proceed to  
page 4 - step 1

Tailgate Protector Panel  
mark cut line

2"

Tailgate

Bedliner

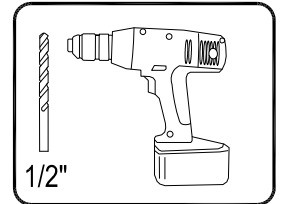
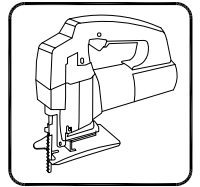
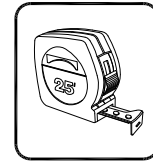
Tailgate Protector  
Panel

1b

X = 107 Housing = Cut 7" Deep  
X = 117 Housing = Cut 8" Deep

Drill (5) 1/2" hole

5"



1/2"

2" Cut Line

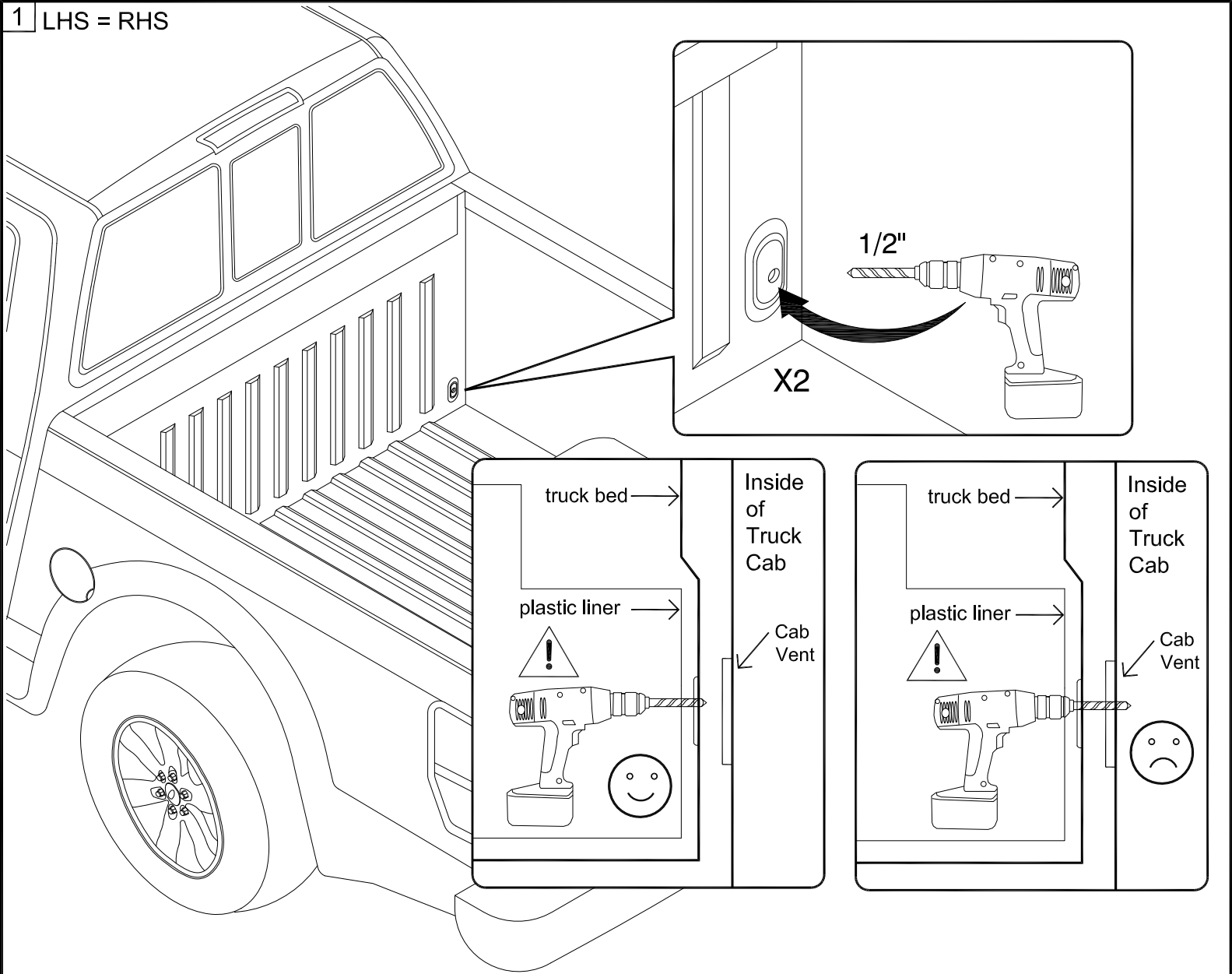


1c

Bedliner

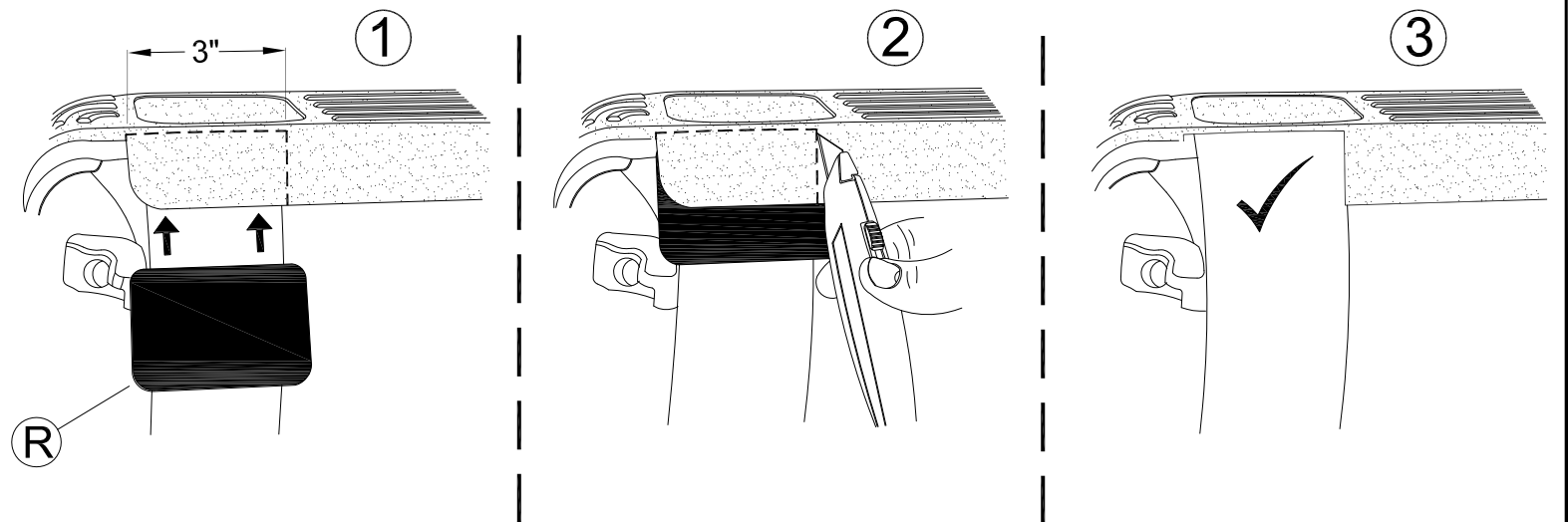
Tailgate Protector  
Panel

1 LHS = RHS

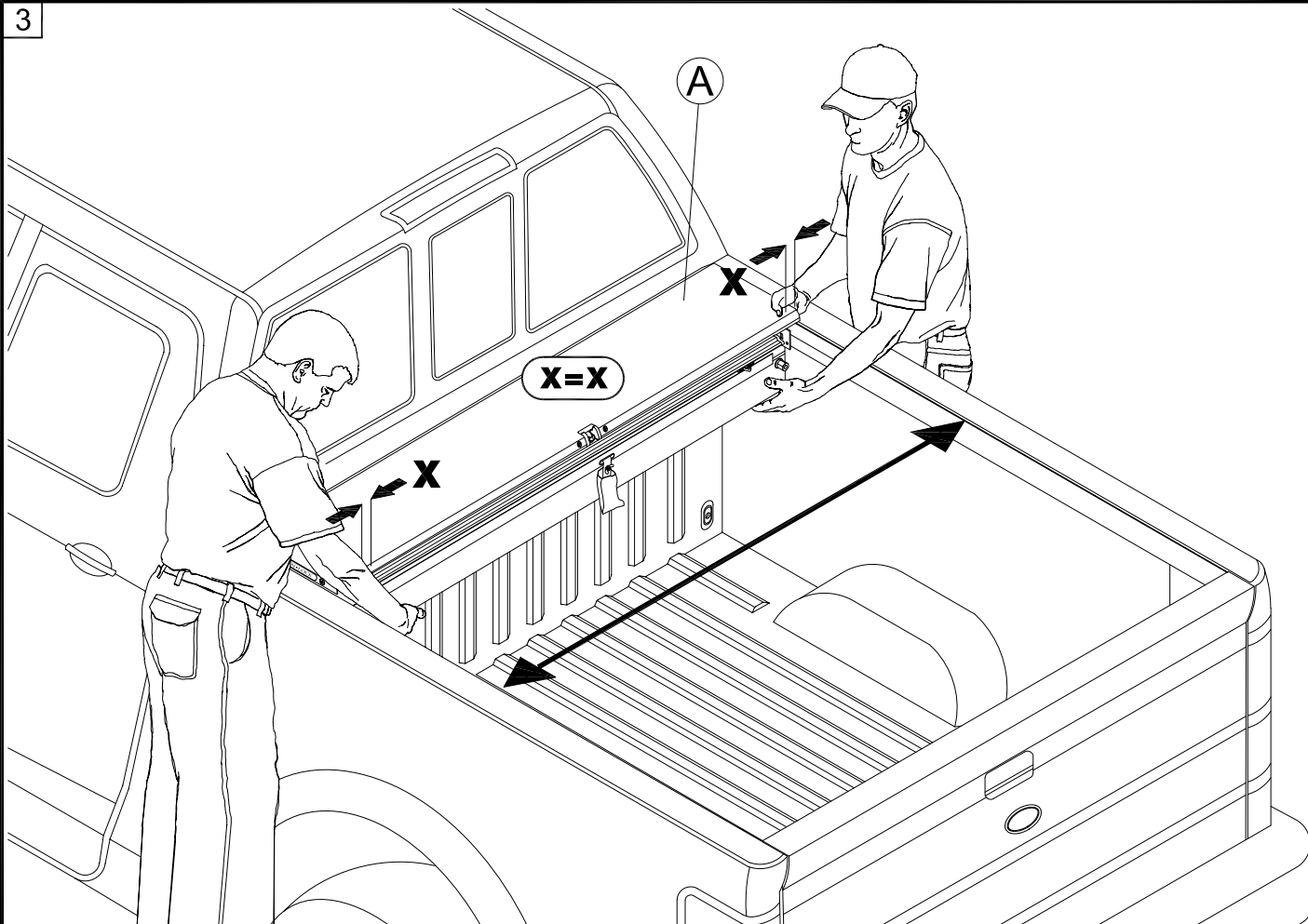


2 LHS = RHS

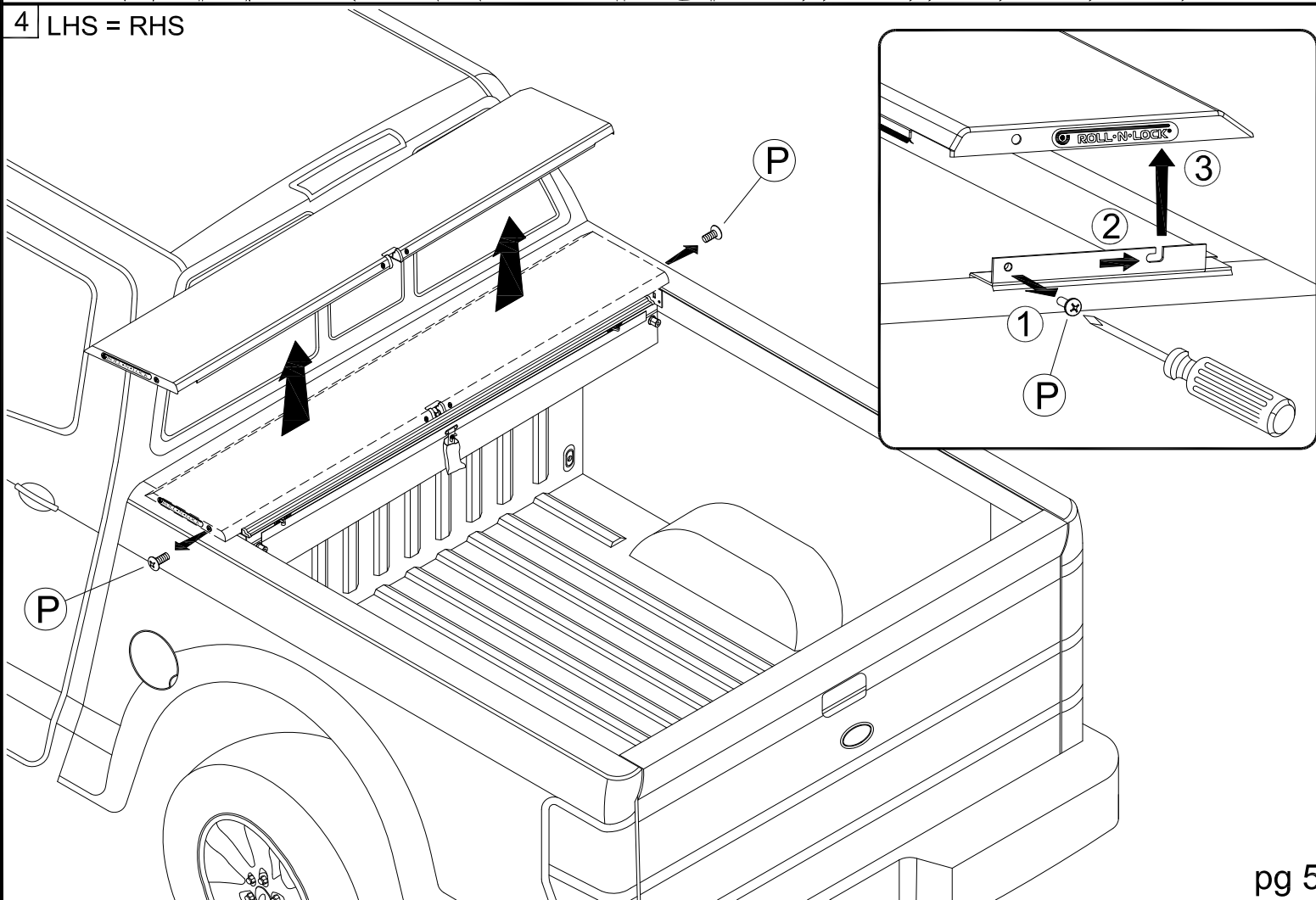
Notching Factory Bedrail Caps at Tailgate.



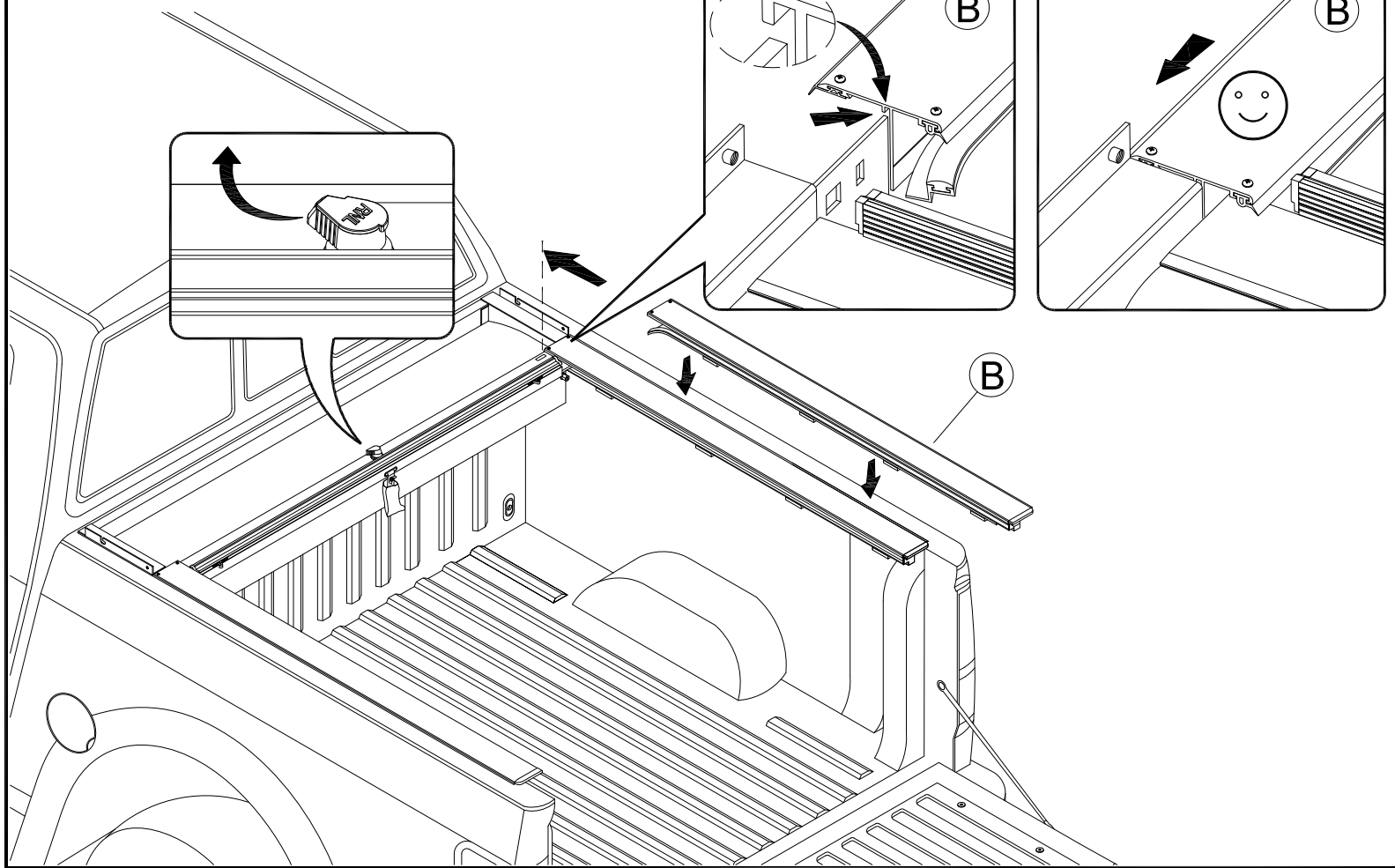
3



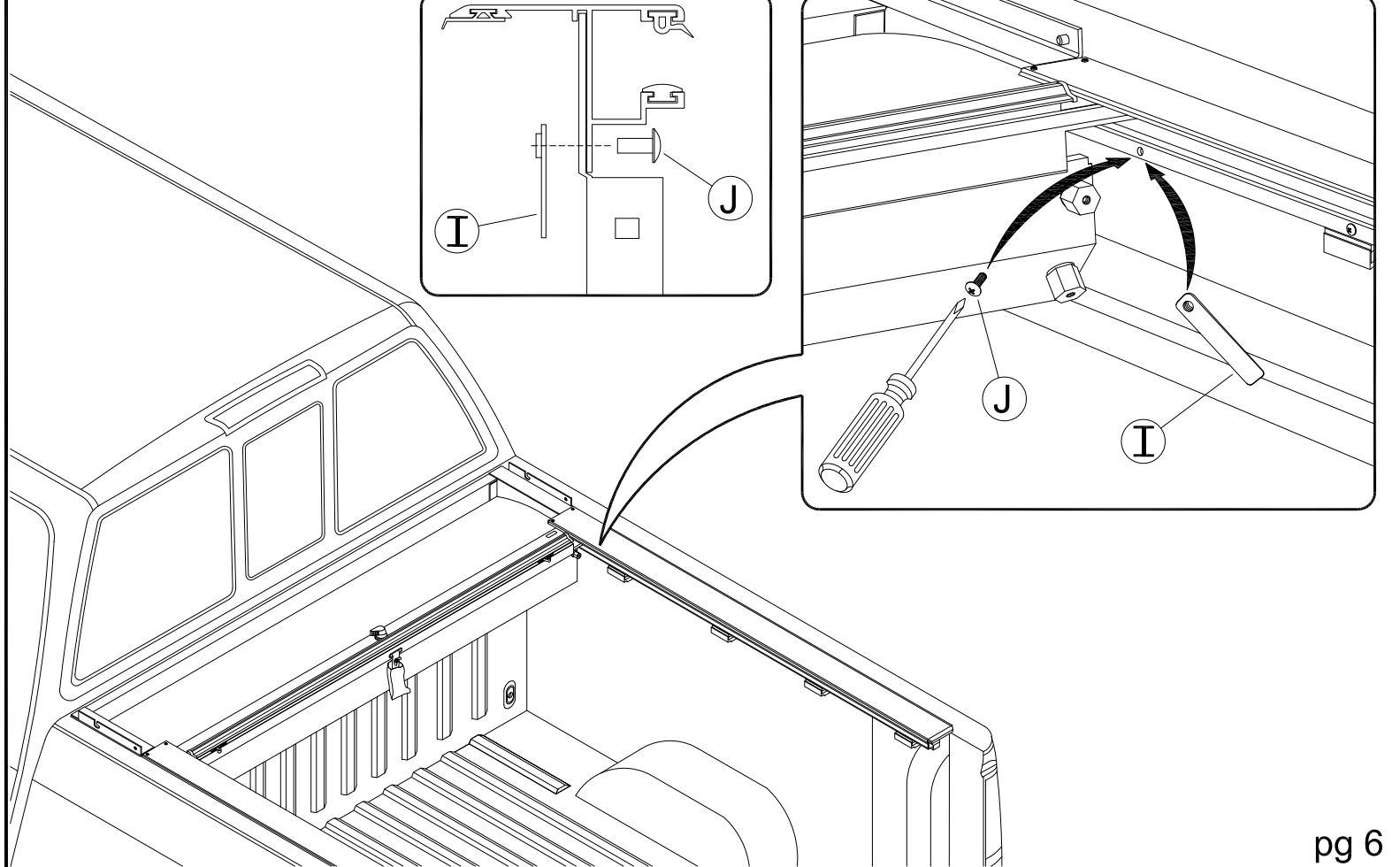
4 LHS = RHS



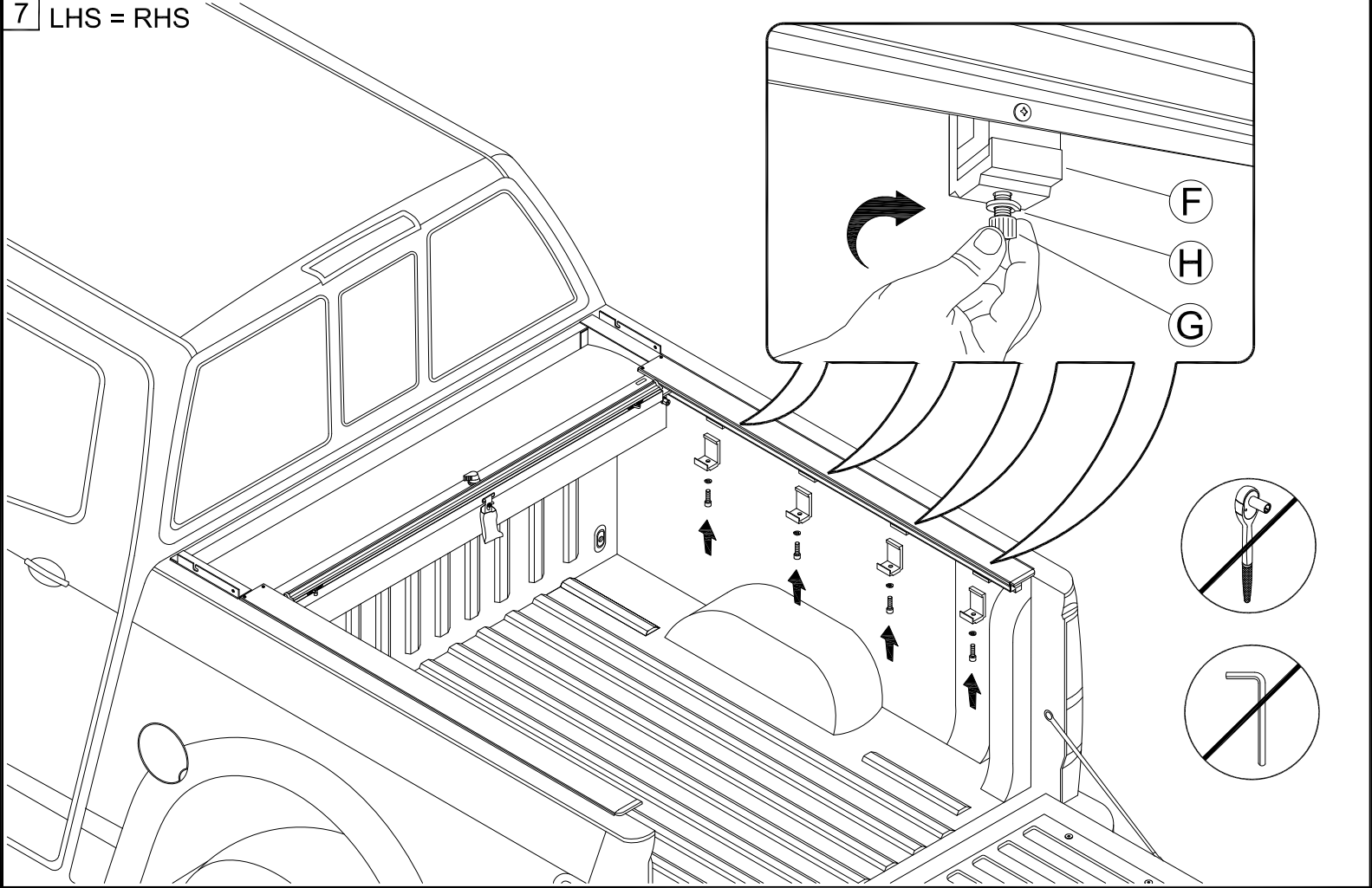
5 LHS = RHS



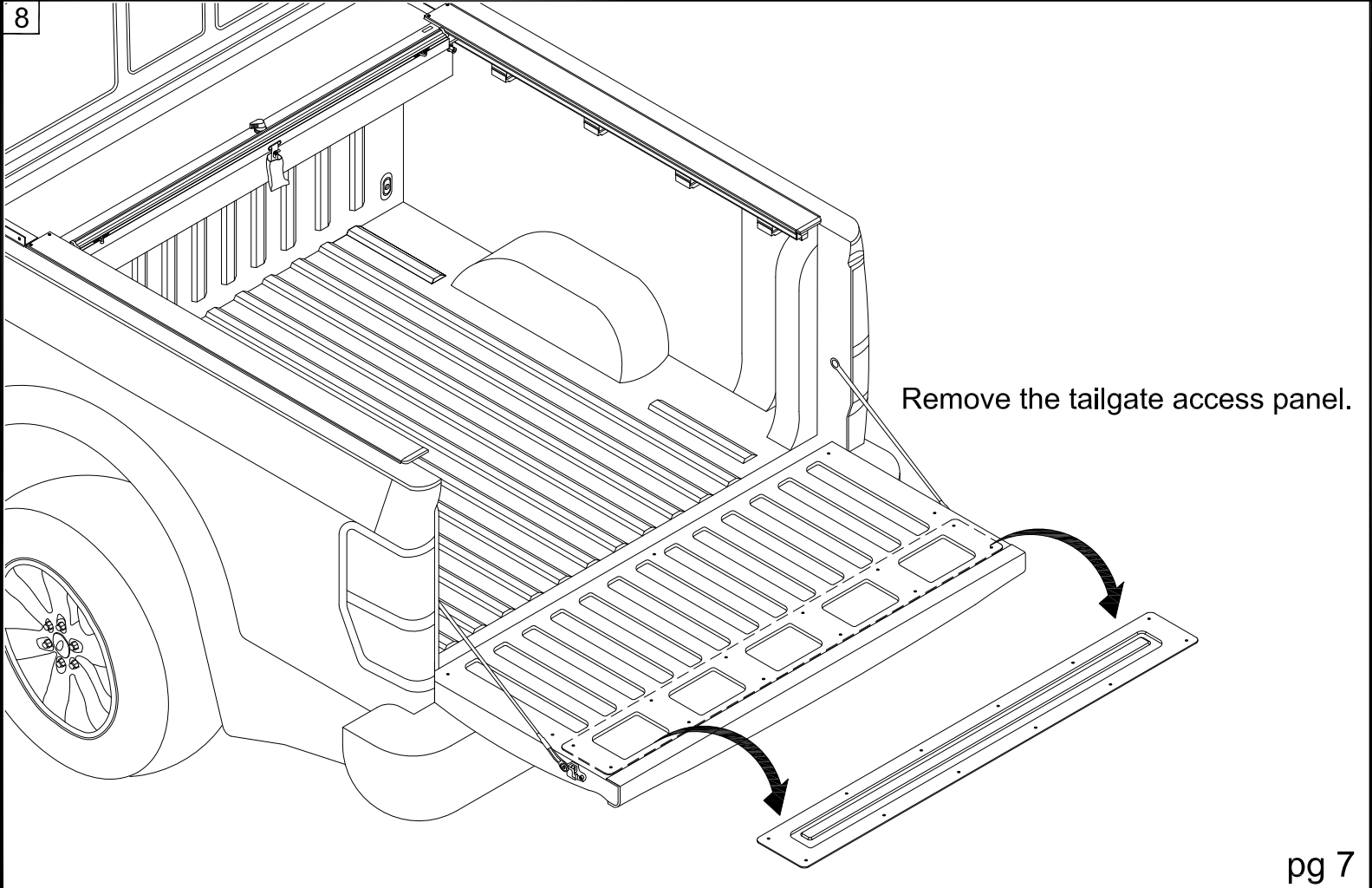
6 LHS = RHS



7 LHS = RHS

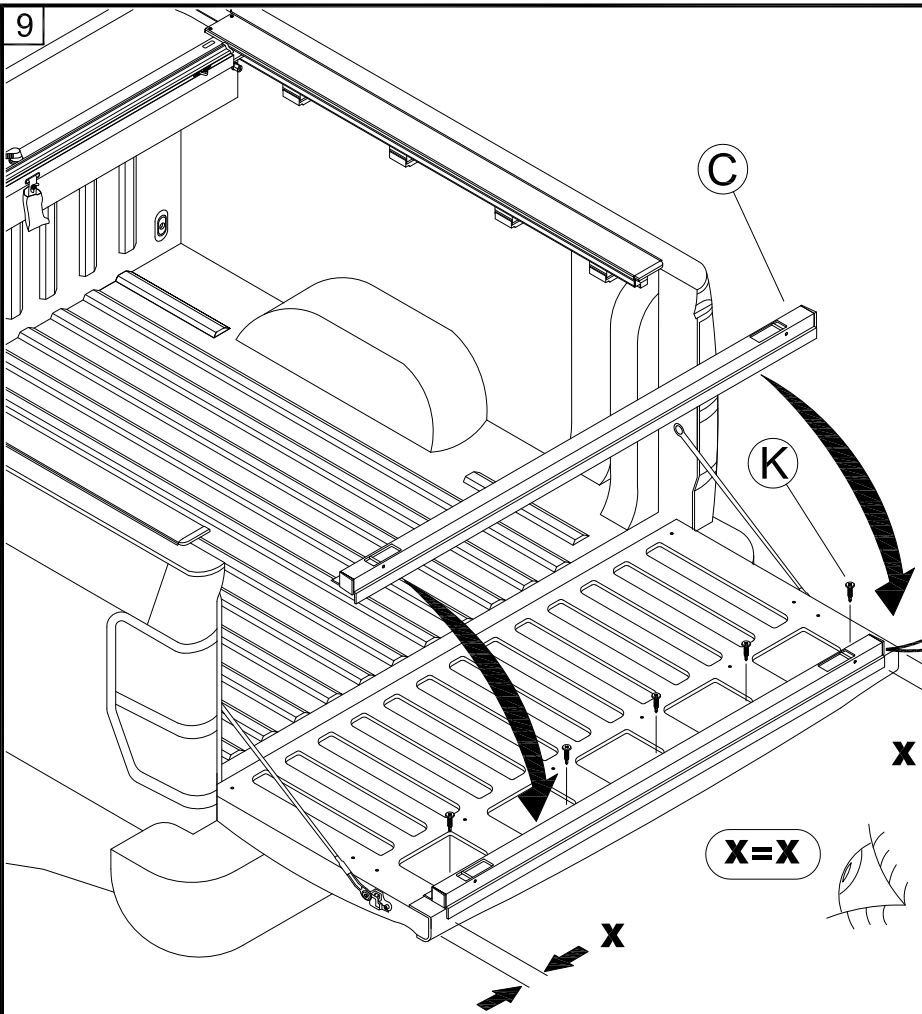


8

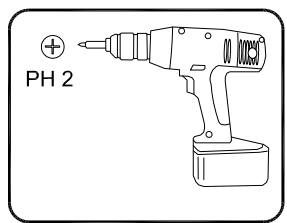




9

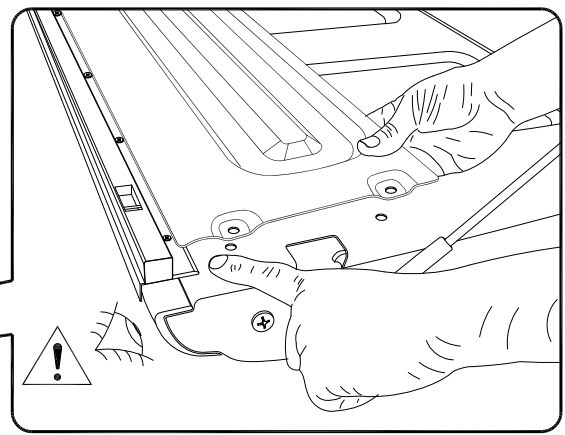
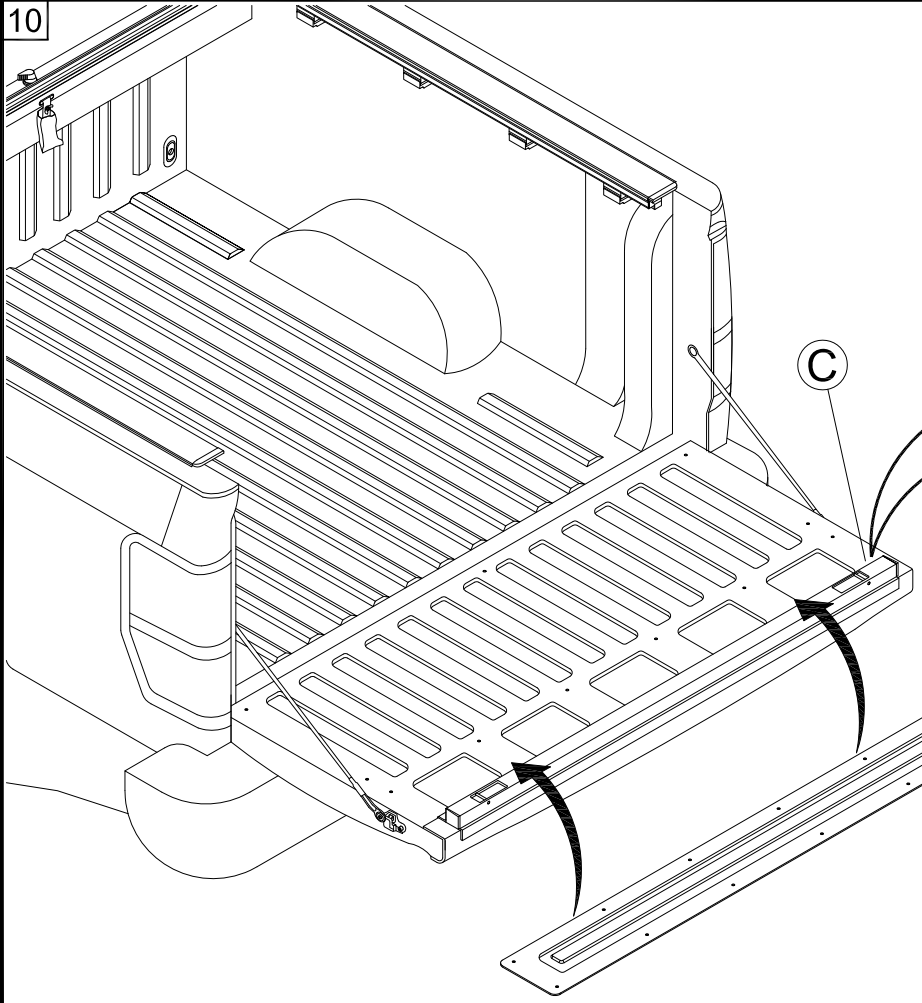


At each end **PRESS** the tailgate extrusion to the top of the tailgate in order to make it conform to the contour of the tailgate, and secure it in place.



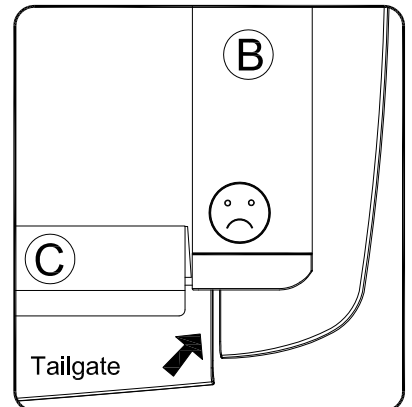
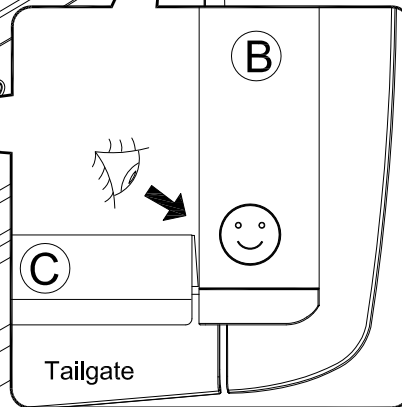
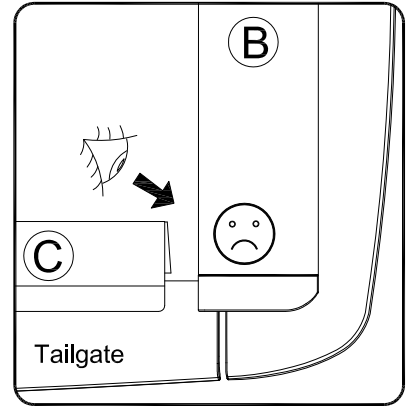
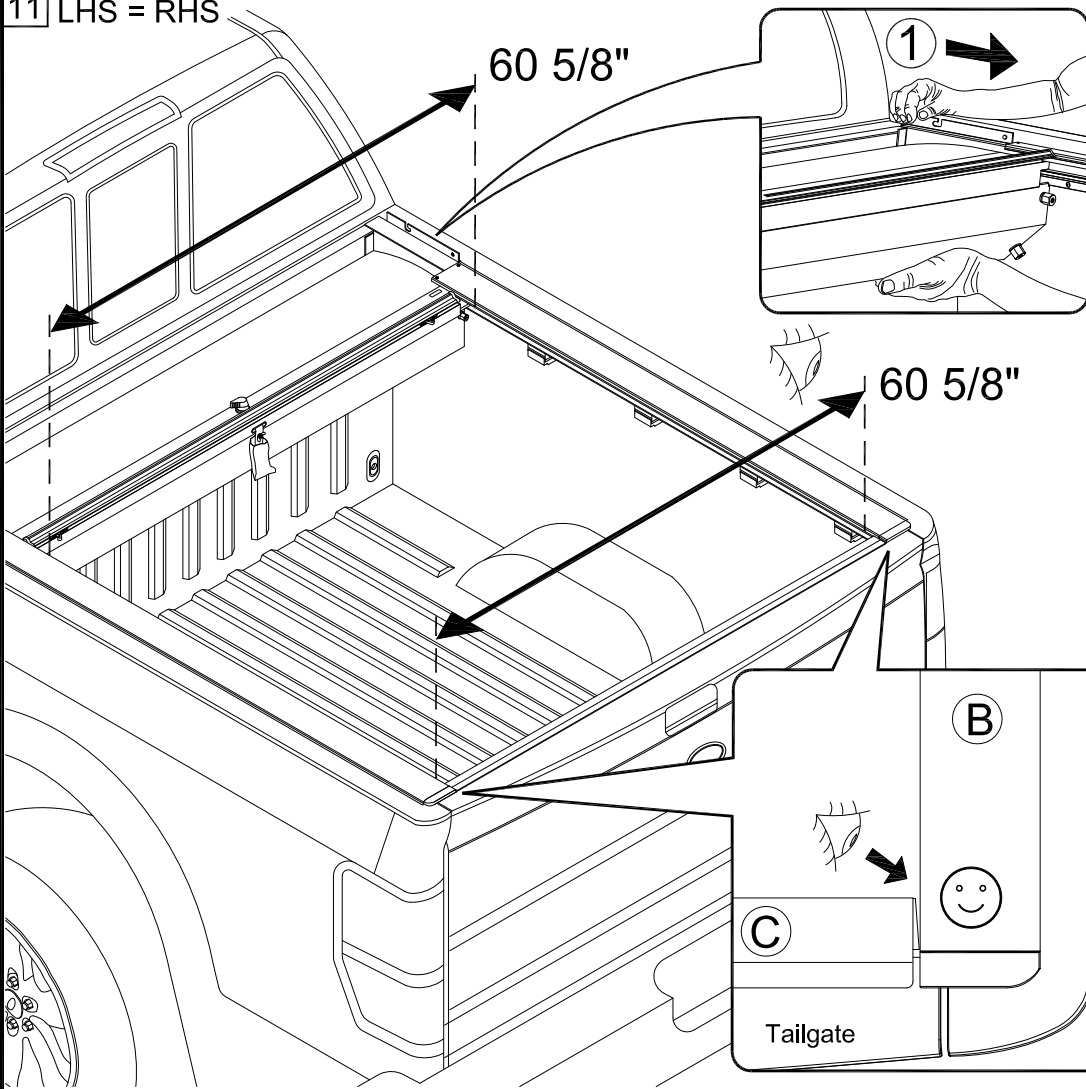
X=X

10

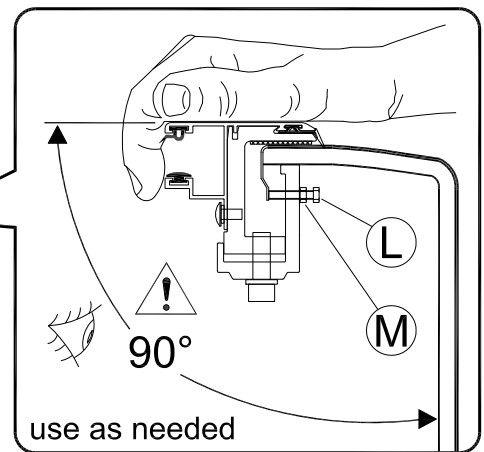
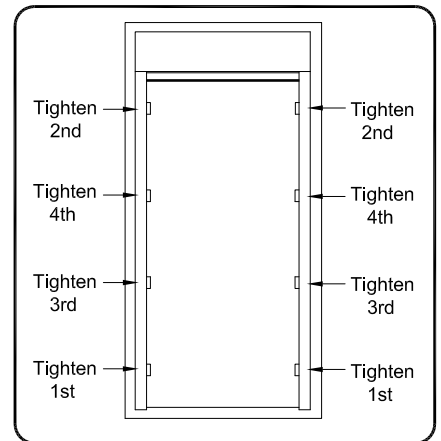
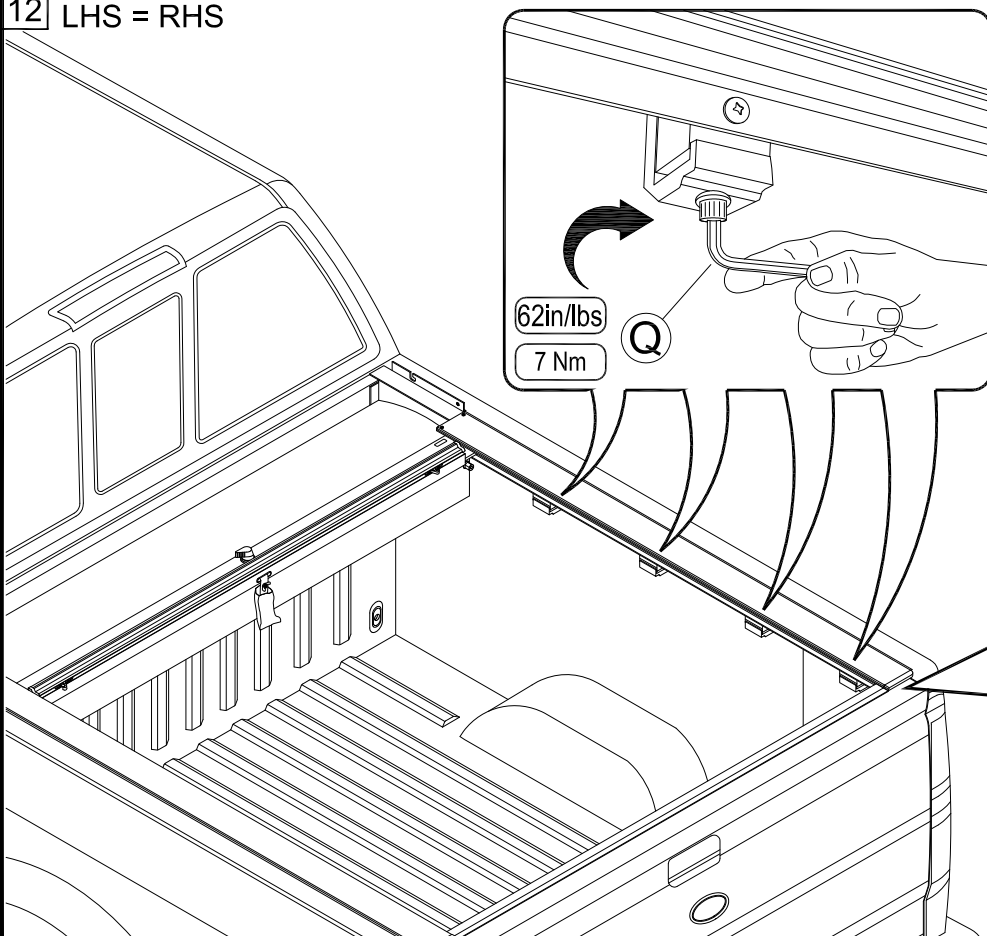


Replace the tailgate access panel over the Tailgate Extrusion Flange.

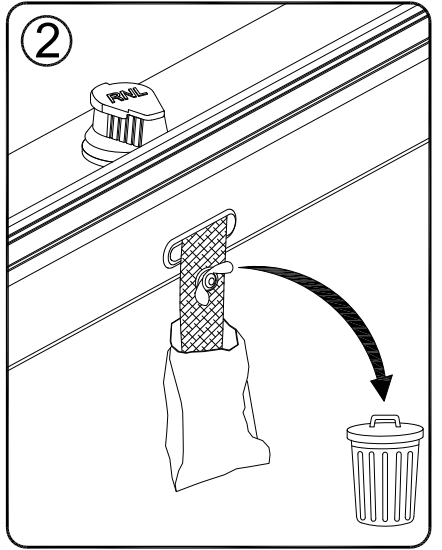
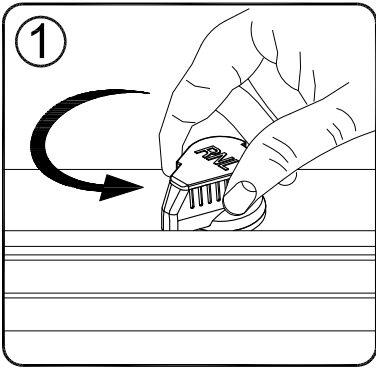
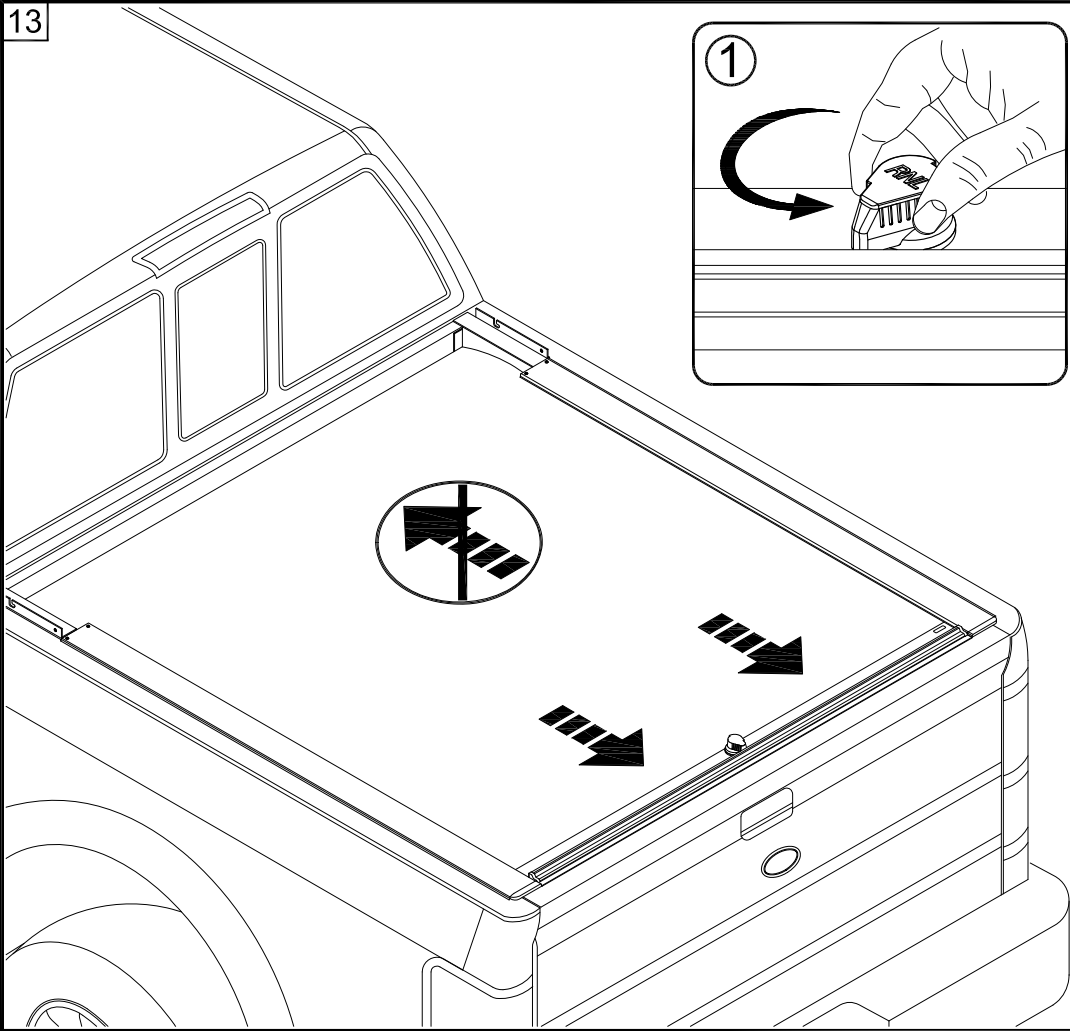
11 LHS = RHS



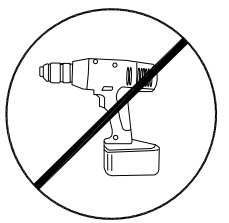
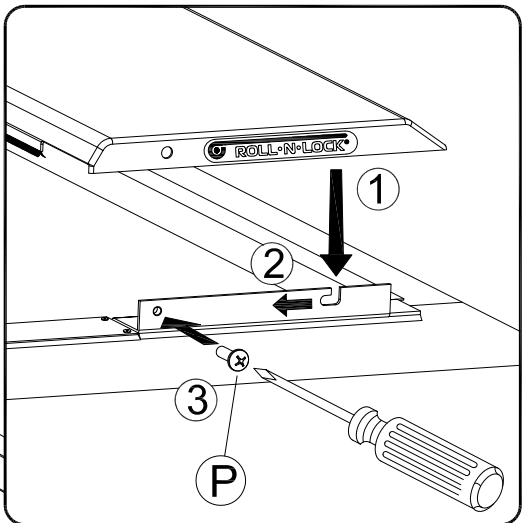
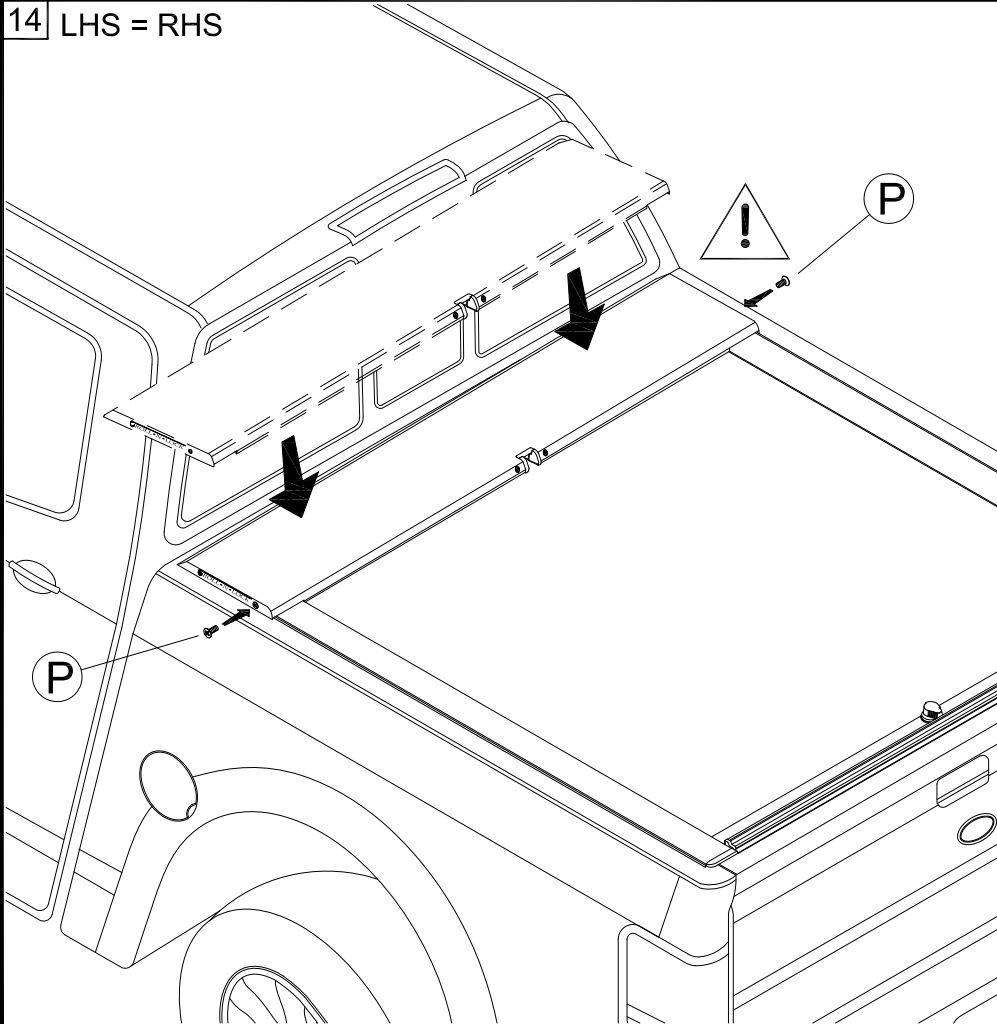
12 LHS = RHS



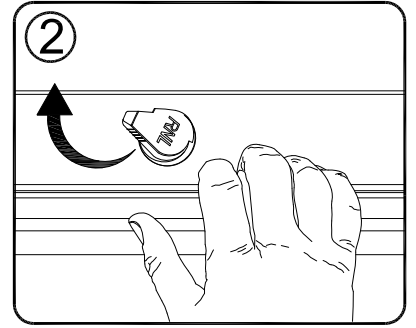
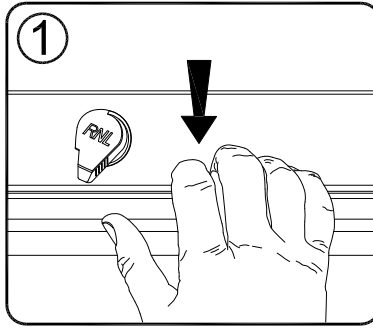
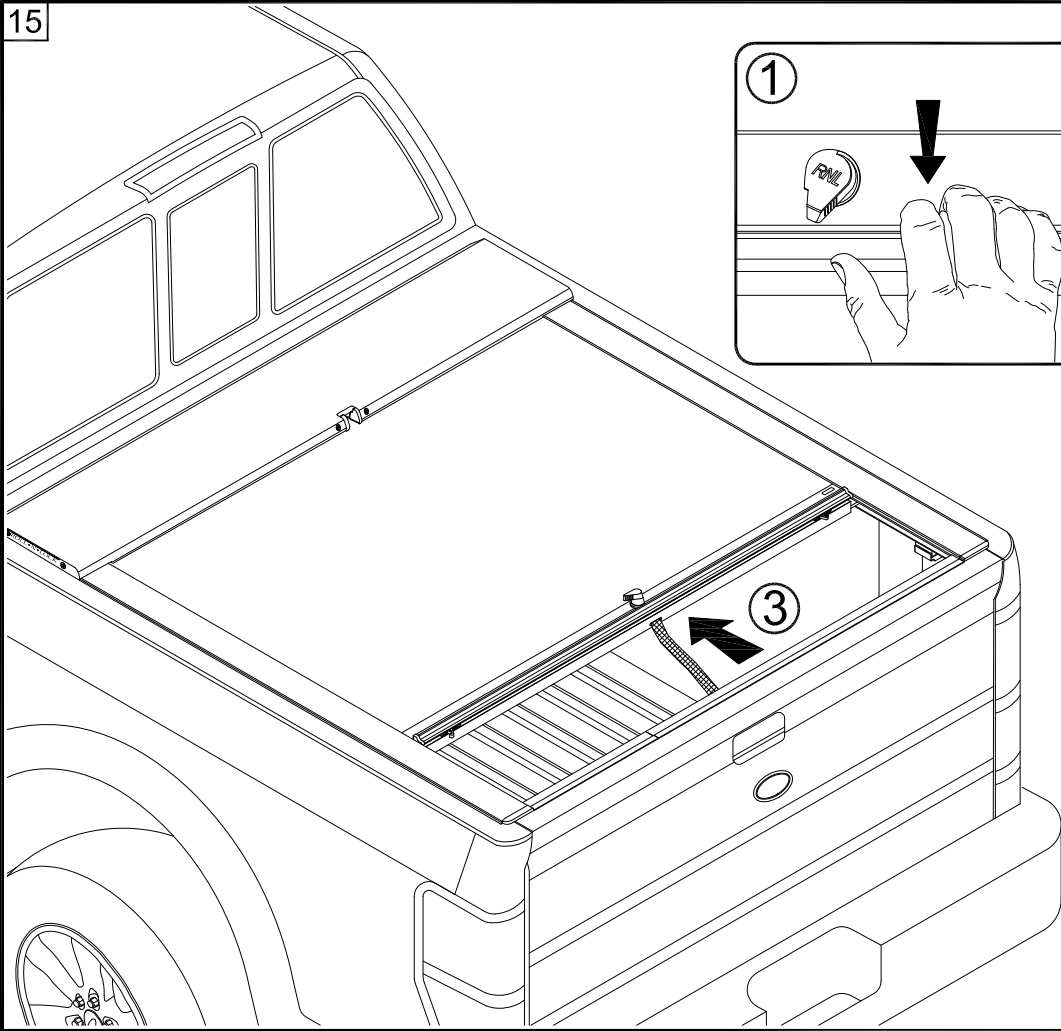
13



14 LHS = RHS

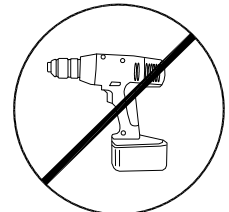
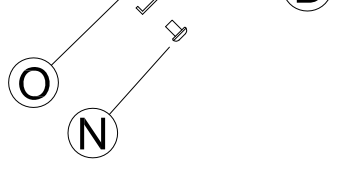
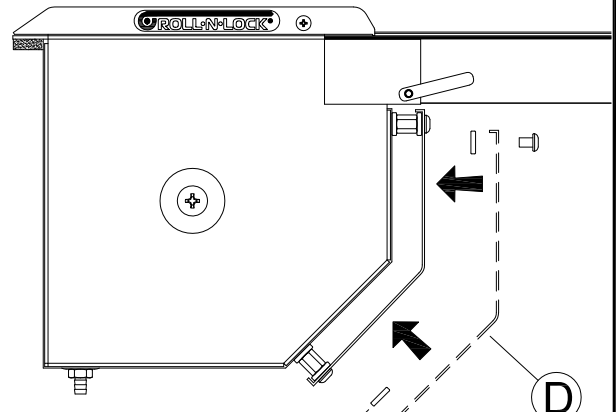
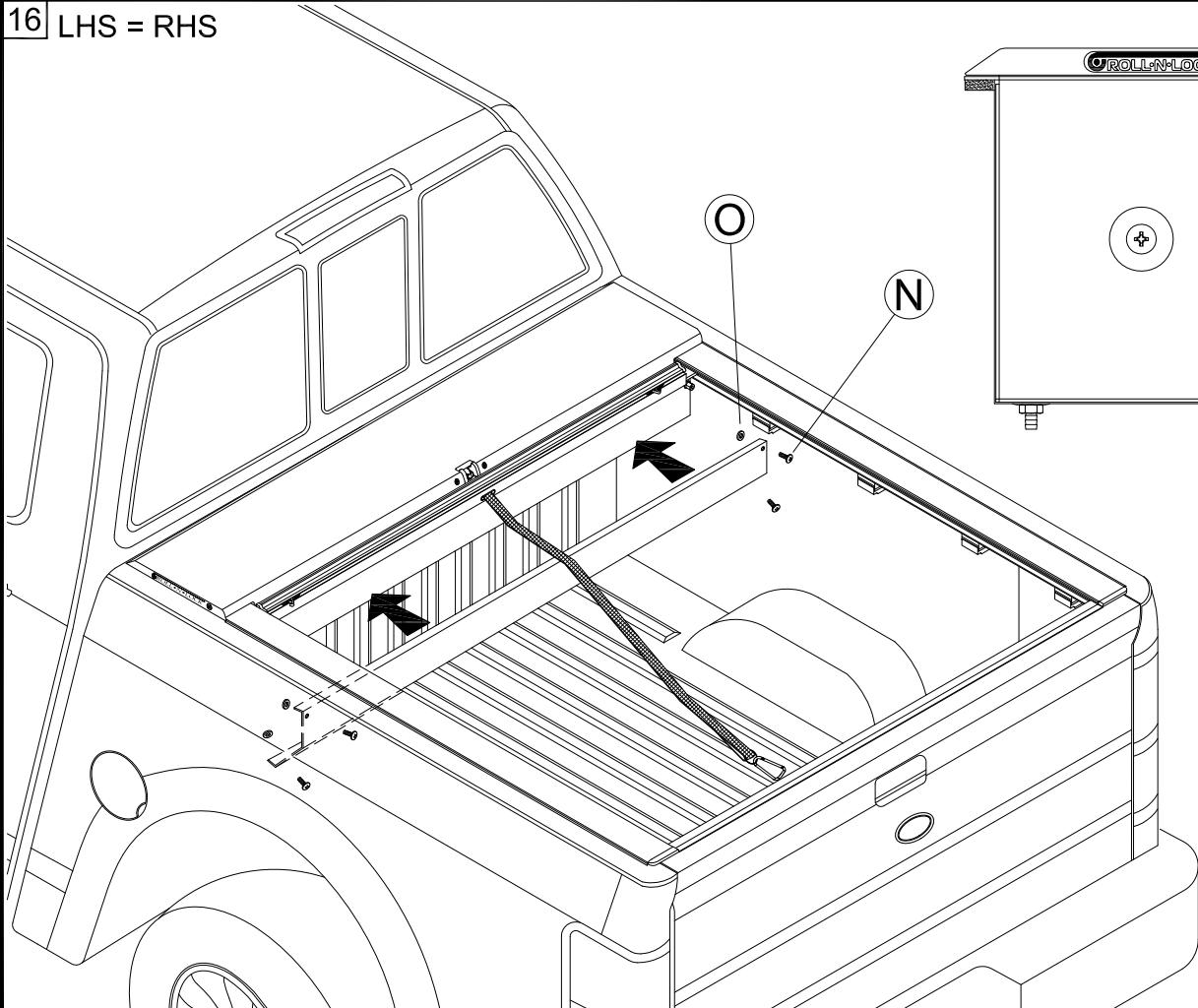


15

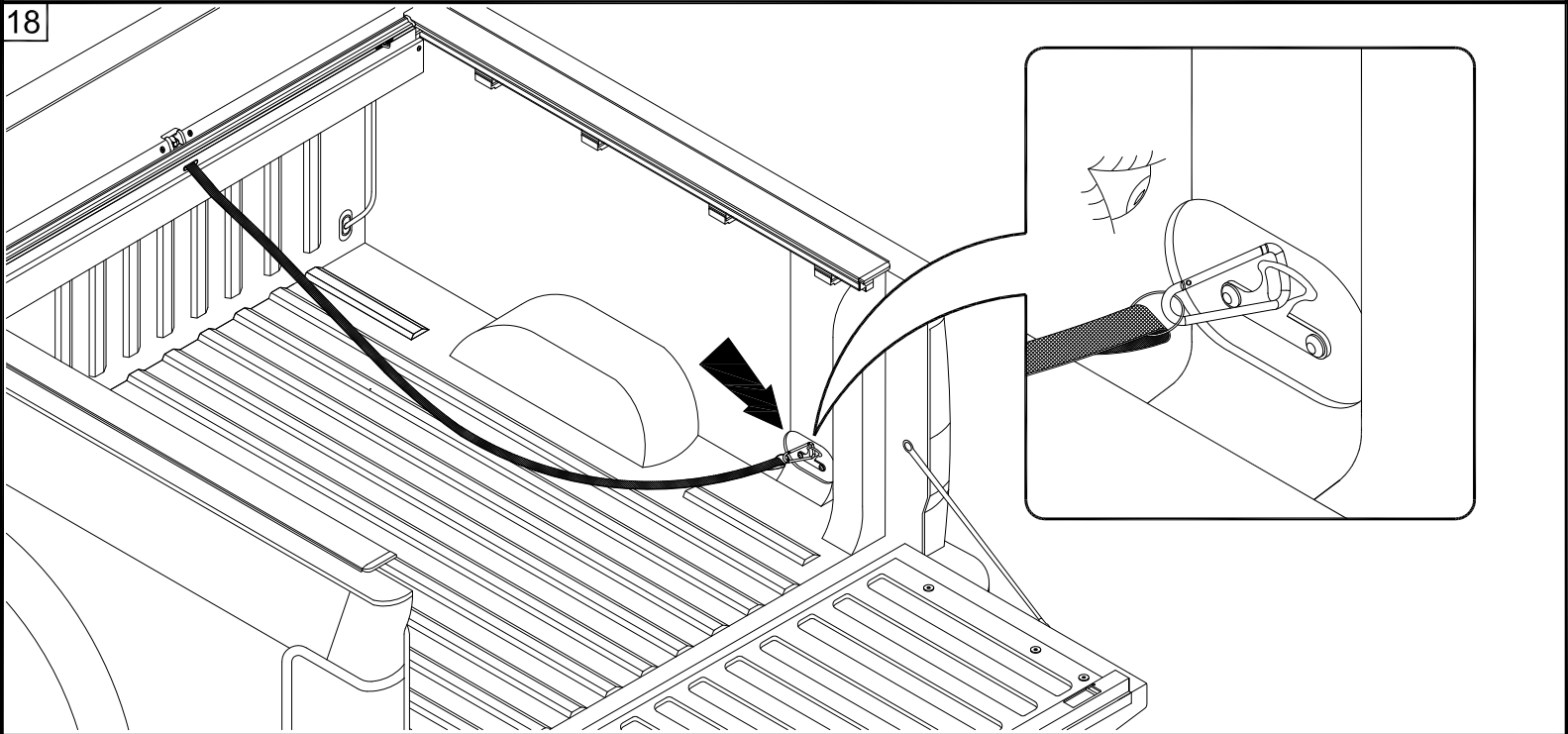
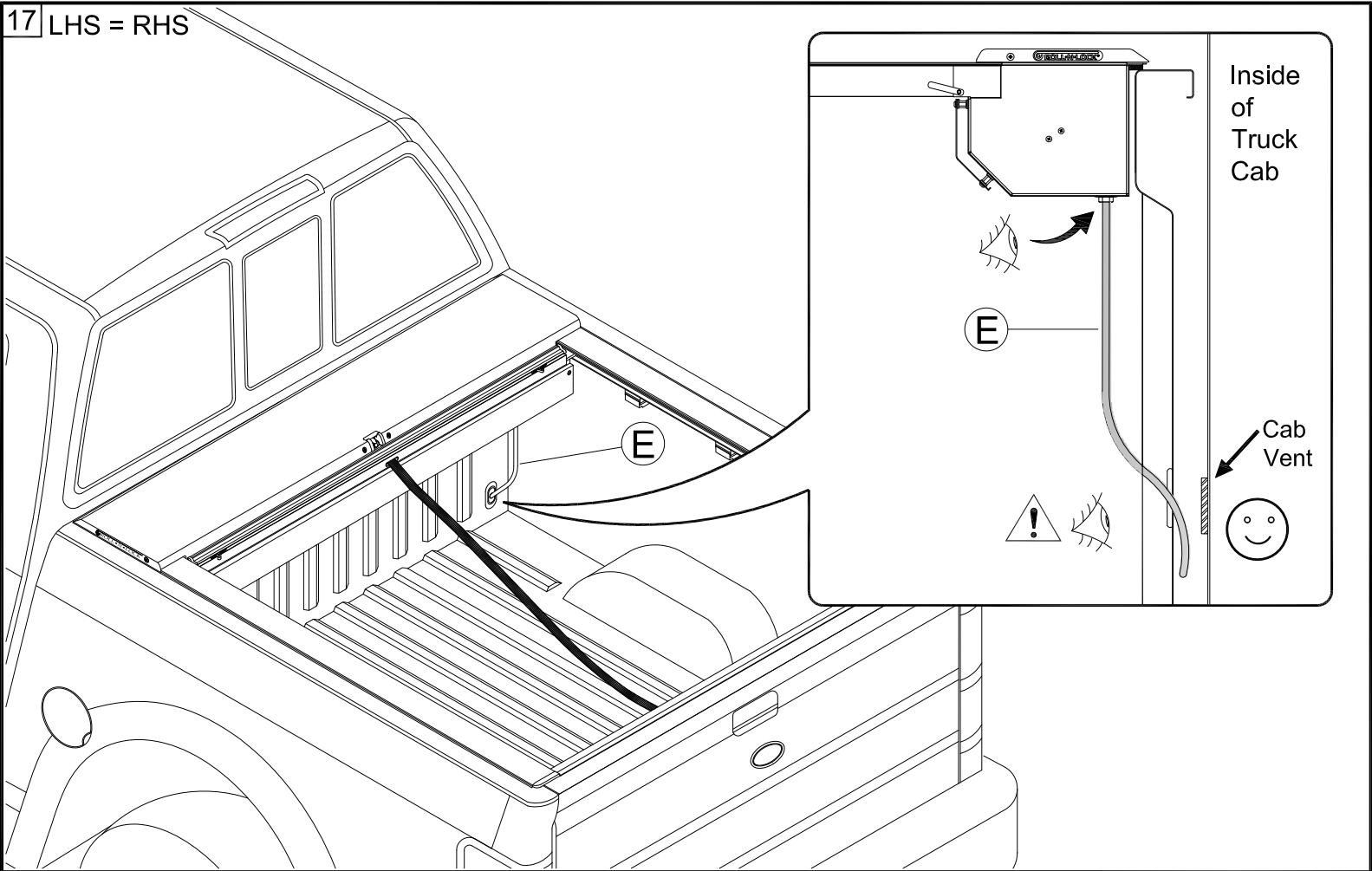


3

16 LHS = RHS



17 LHS = RHS



**ROLL·N·LOCK®**

Any questions please call Roll·N·Lock  
Customer Service at 800-952-7655 or rollnlock.com