

INSTALLATION INSTRUCTIONS

CUSTOMER SERVICE

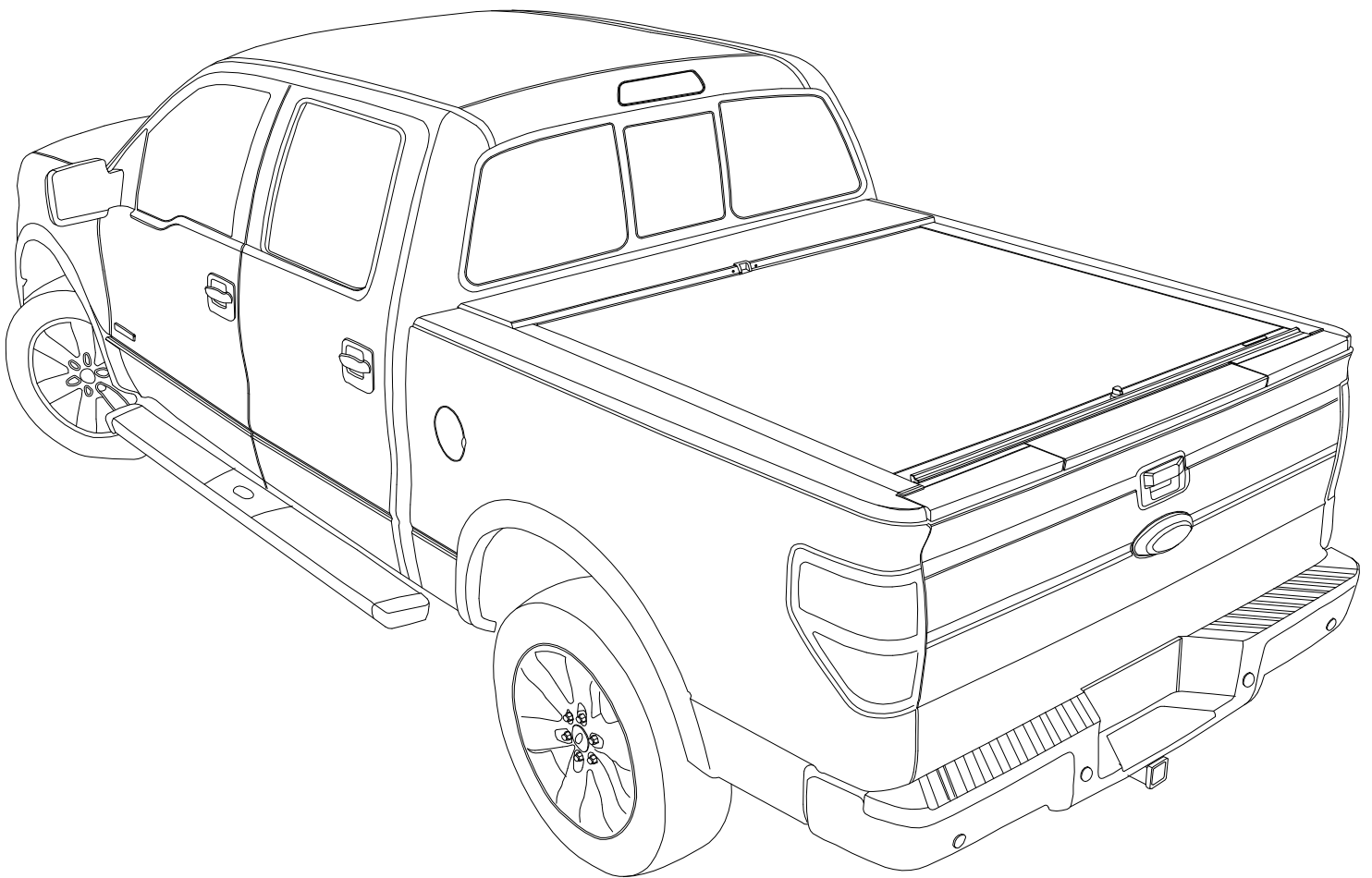
Phone: 800-952-7655 • MON - FRI 8:00 am - 5:00 pm EST

Email: INFO@ROLLNLOCK.COM



Installation Guide

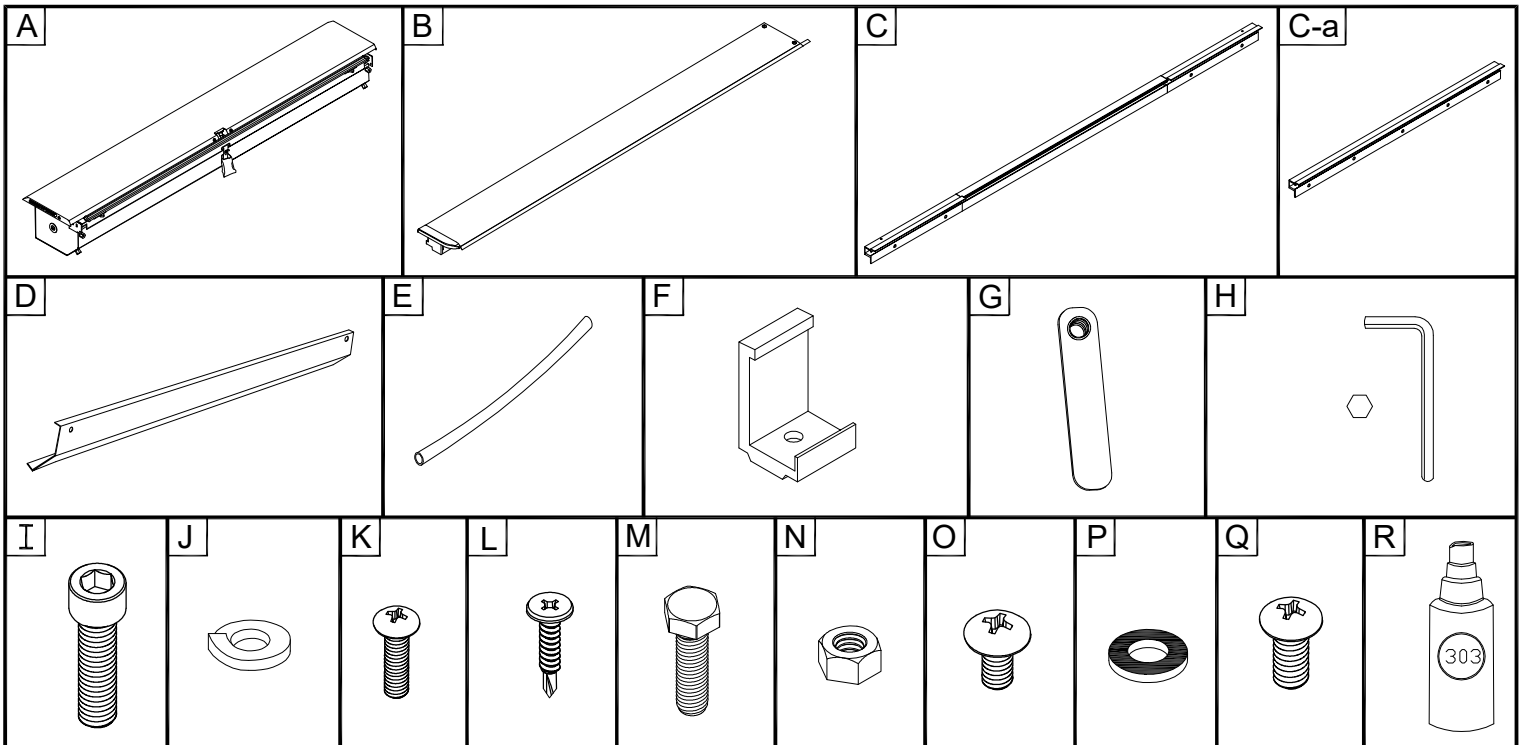
Ford F-150



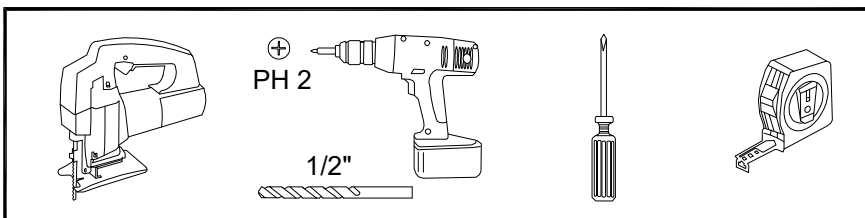
Product Code
111-112-113

Parts List

Item	Part Name	Qty.	Item	Part Name	Qty.	Item	Part Name	Qty.
A	Housing	1	G	Cargo Nut	2	N	1/4" Nut	2
B	Track	2	H	Allen Wrench (1/4")	1	O	1/4-20 x 3/8" Screw	4
C	Tailgate Extrusion	1	I	5/16" Socket Cap Screw	4/6	P	Rubber Washer	4
C-a	Alt. Tailgate Extrusion	1	J	5/16" Lock Washer	4/6	Q	1/4" Lid Screw (Taped to Lid)	2
D	Cargo Shield	1	K	#10-24 Screw	2	R	303 Vinyl Protector	1
E	Drain Tube	2	L	#8 x 1 1/4" Self Tap Screw	5			
F	Bed Clamps	6/8	M	1/4"-20 x 1" Hex Head Bolt	2			

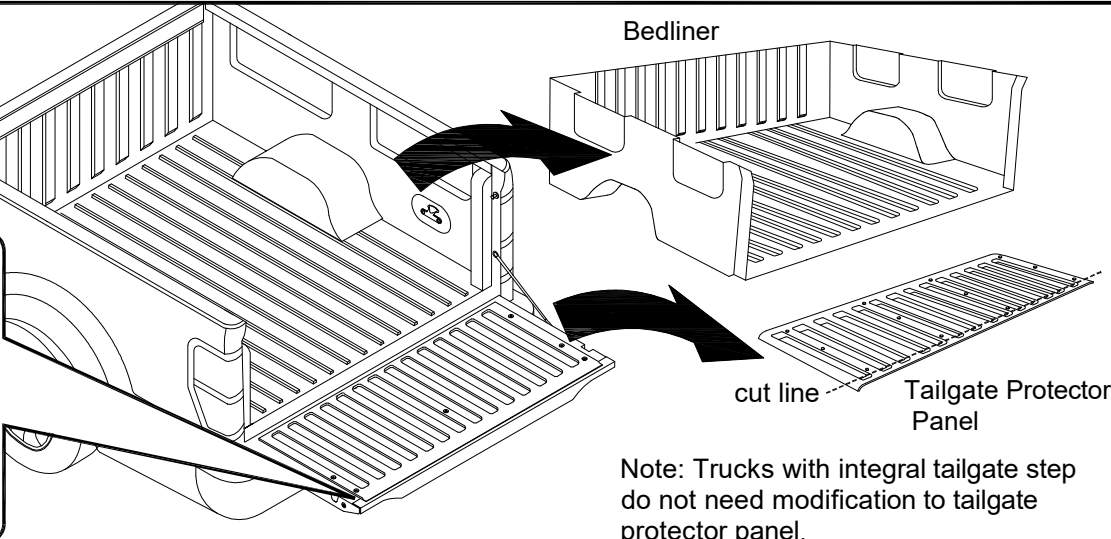
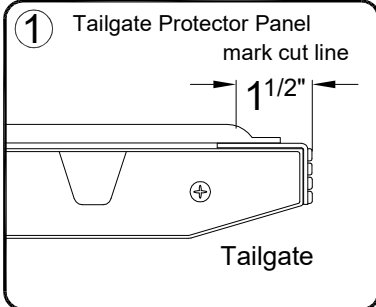


Tools Needed

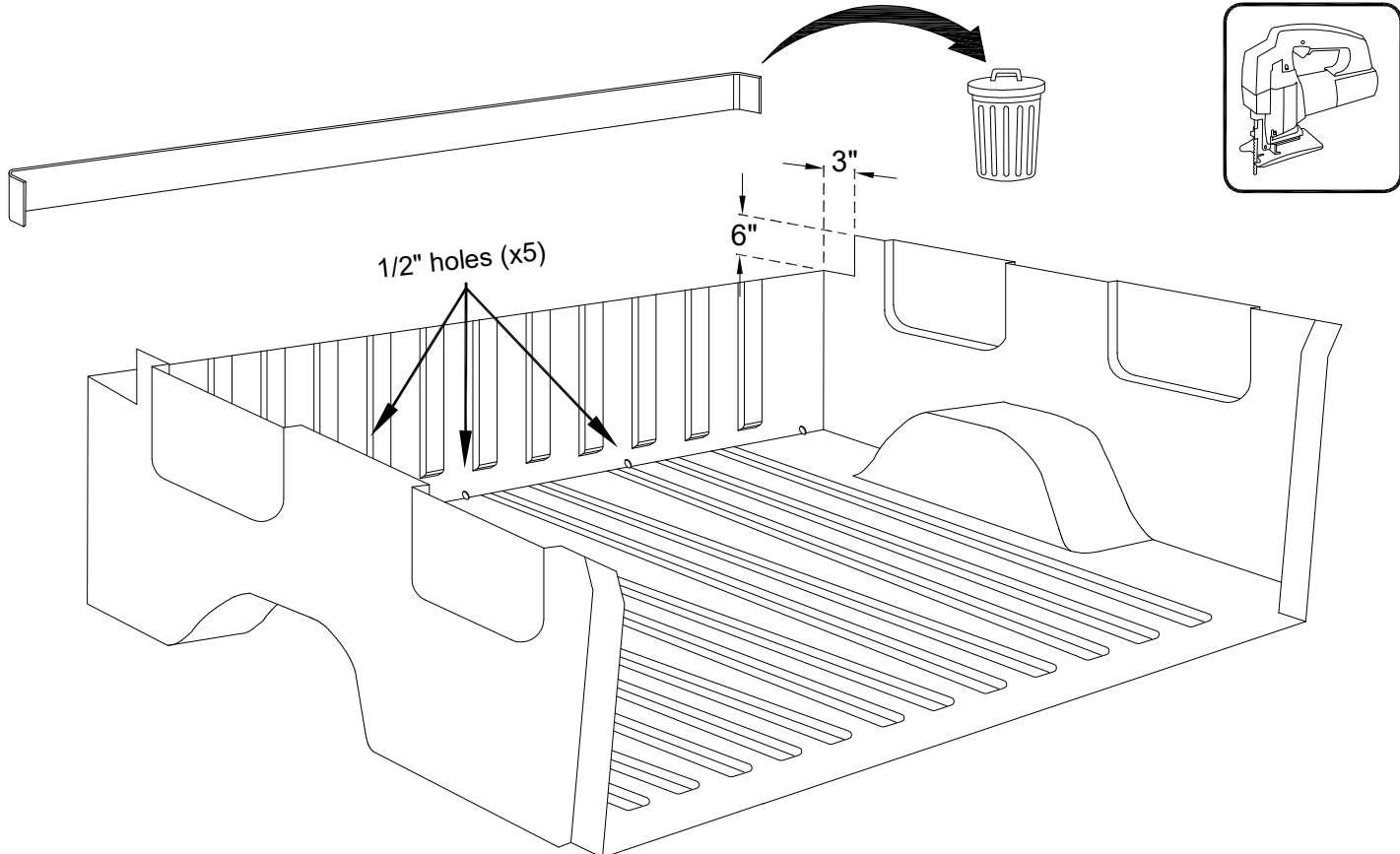


1a

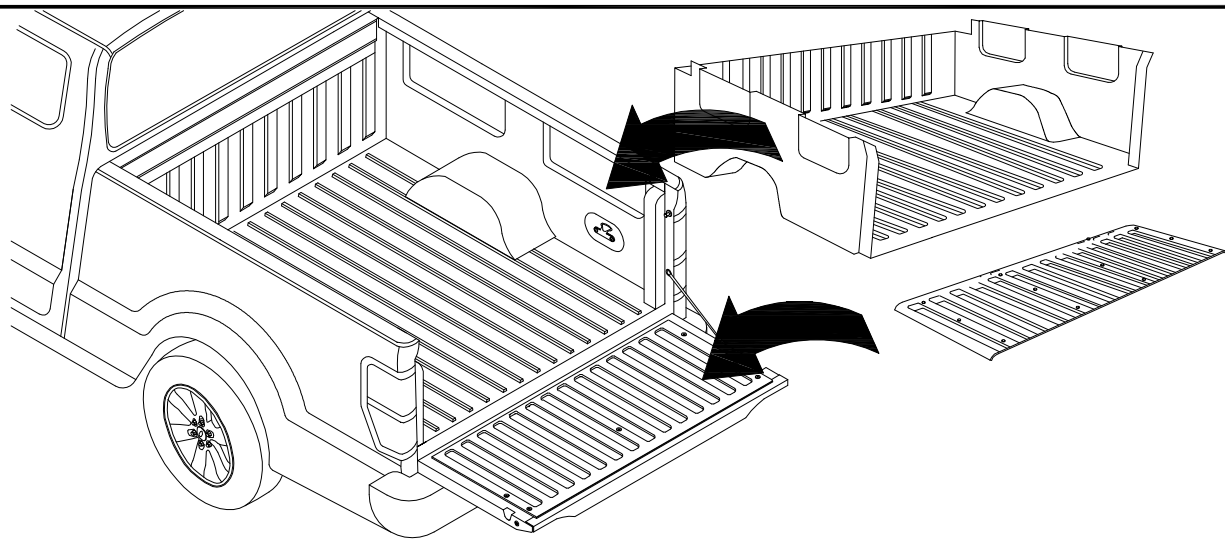
If no bedliner present
proceed to
page 4 - step 1



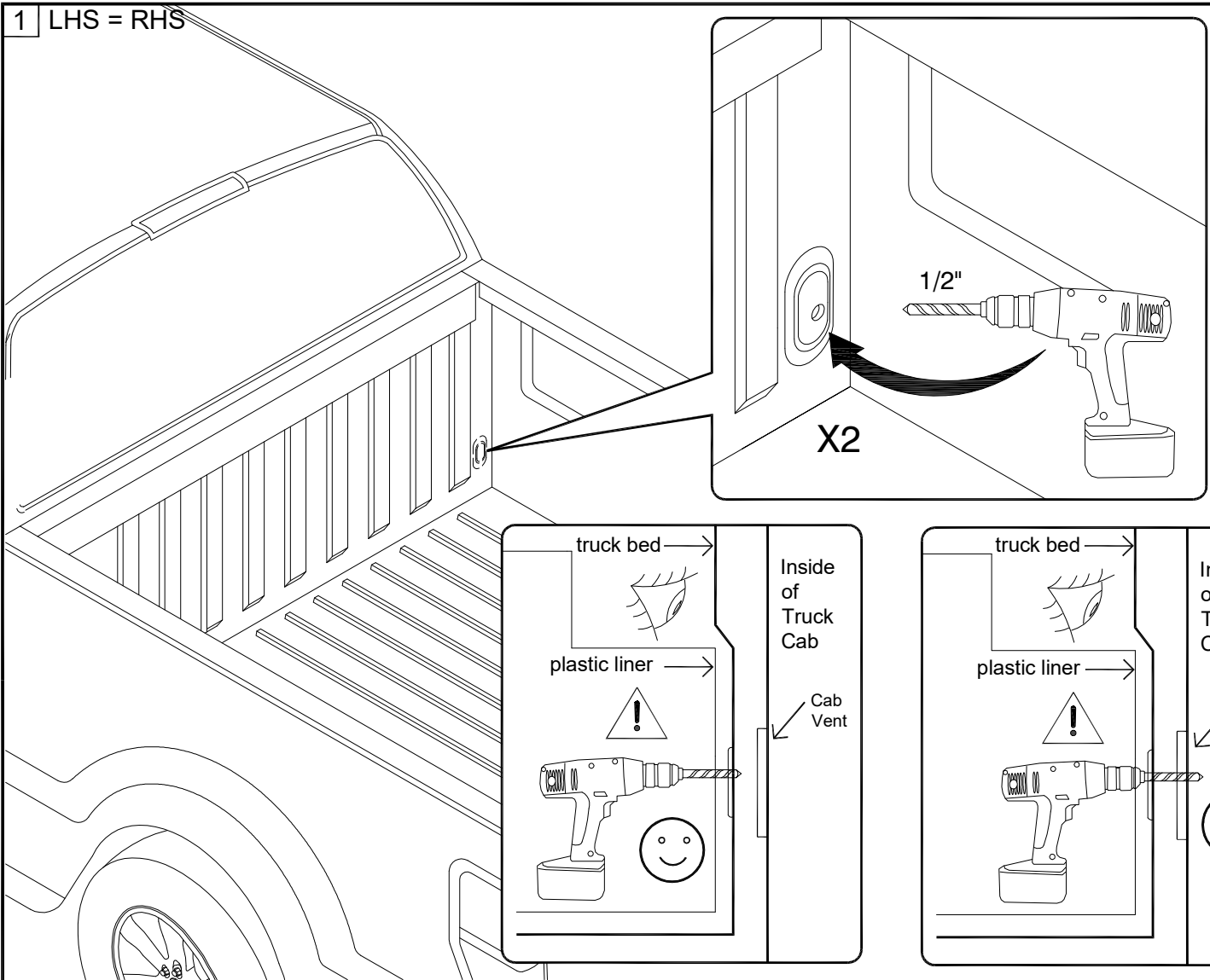
1b



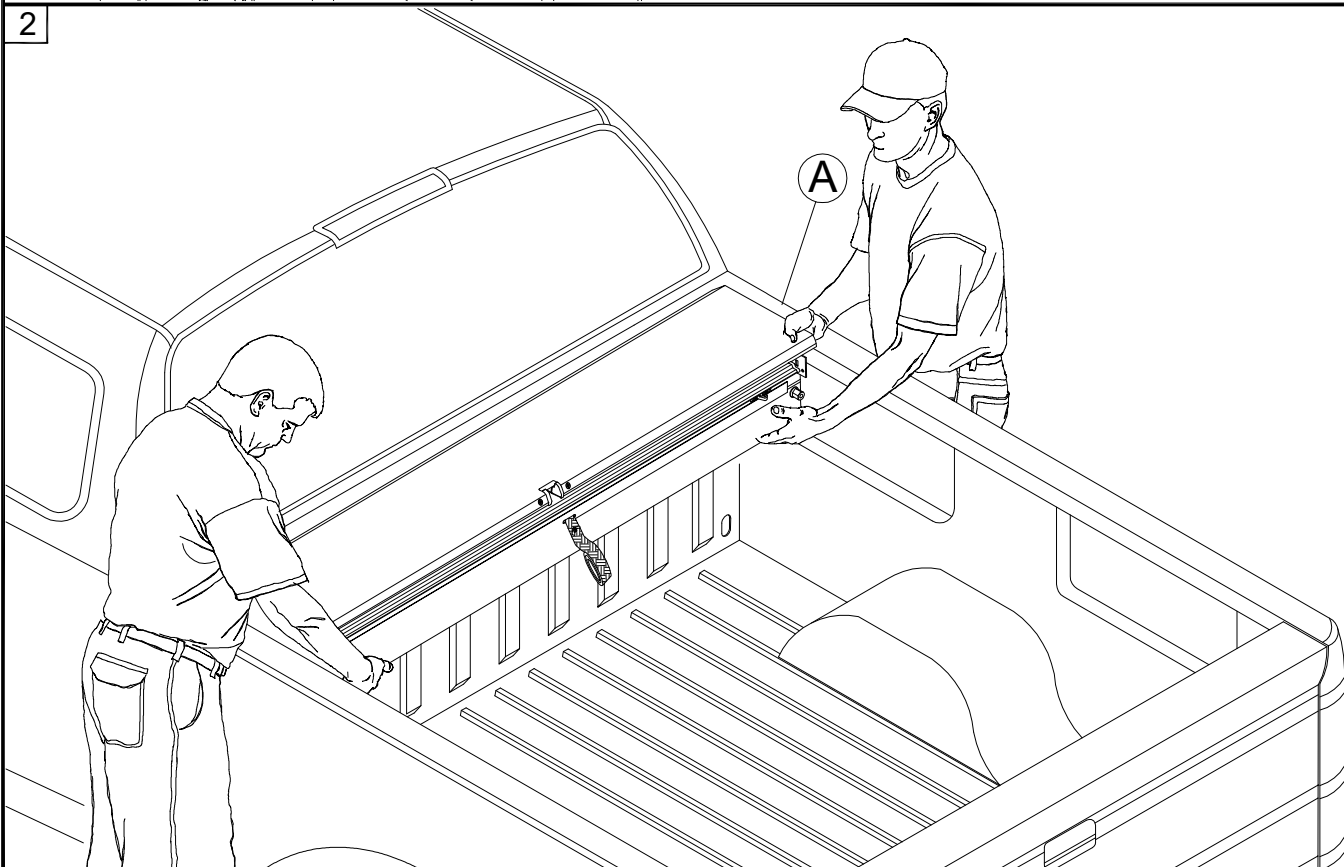
1c



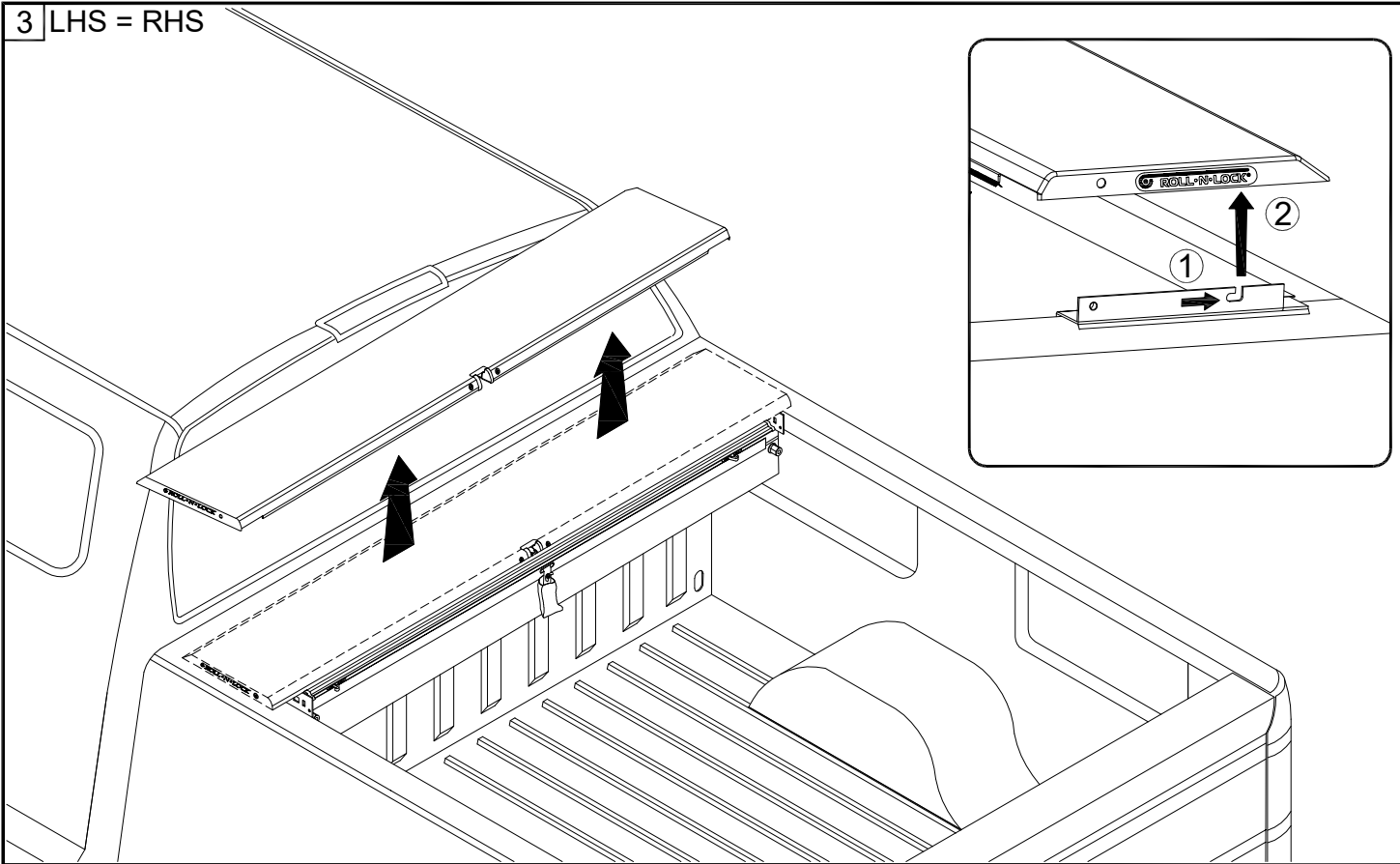
1 LHS = RHS



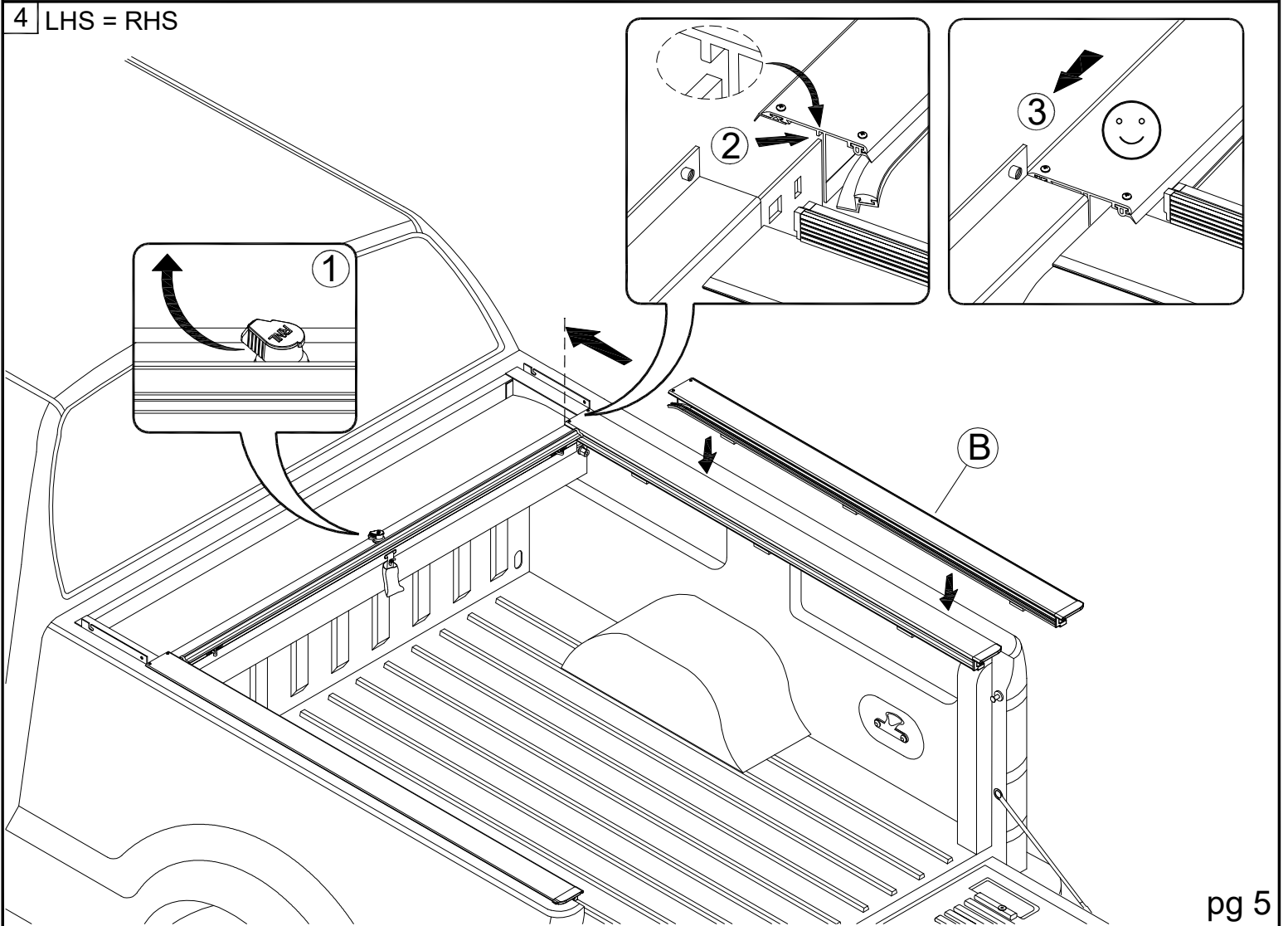
2



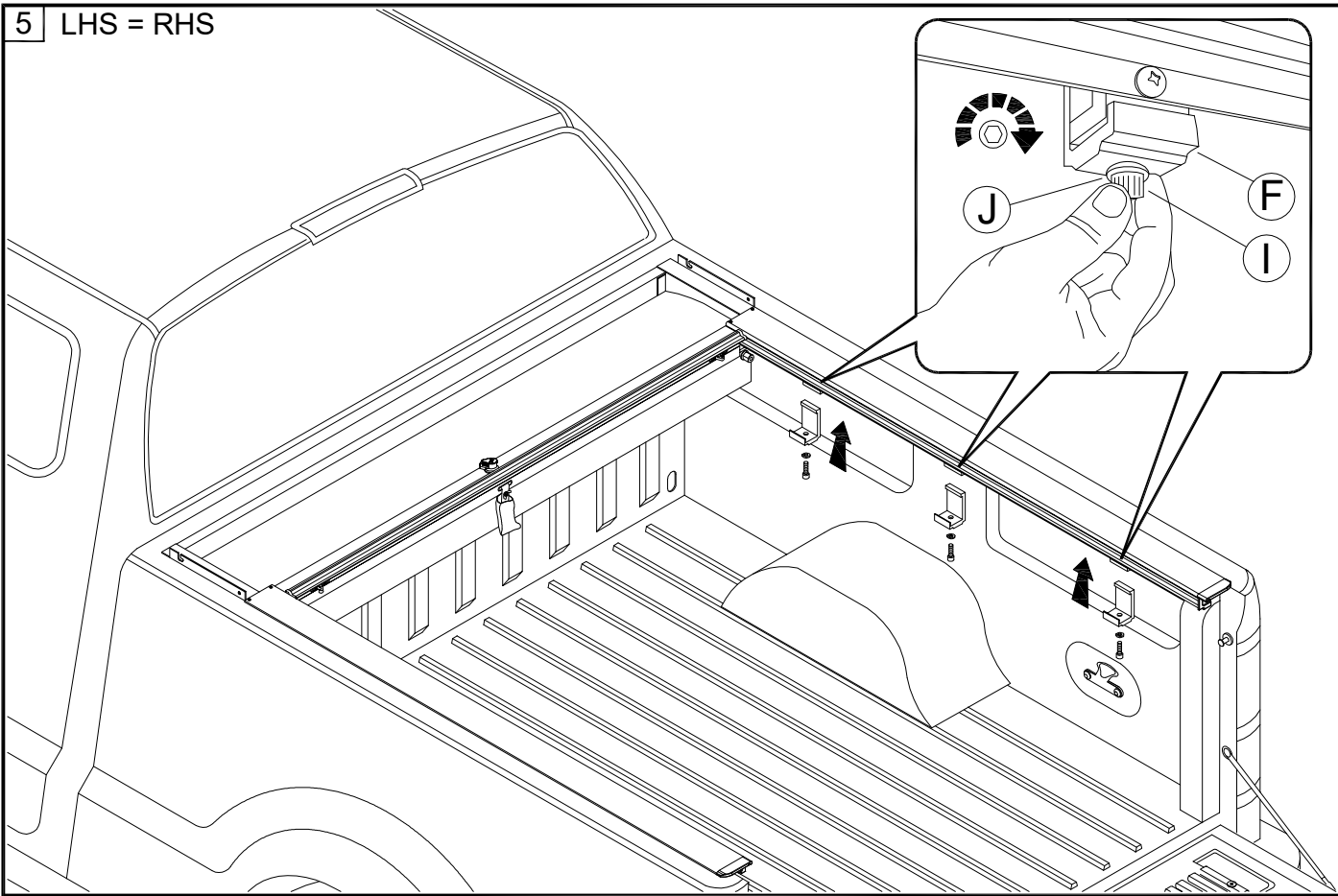
3 LHS = RHS



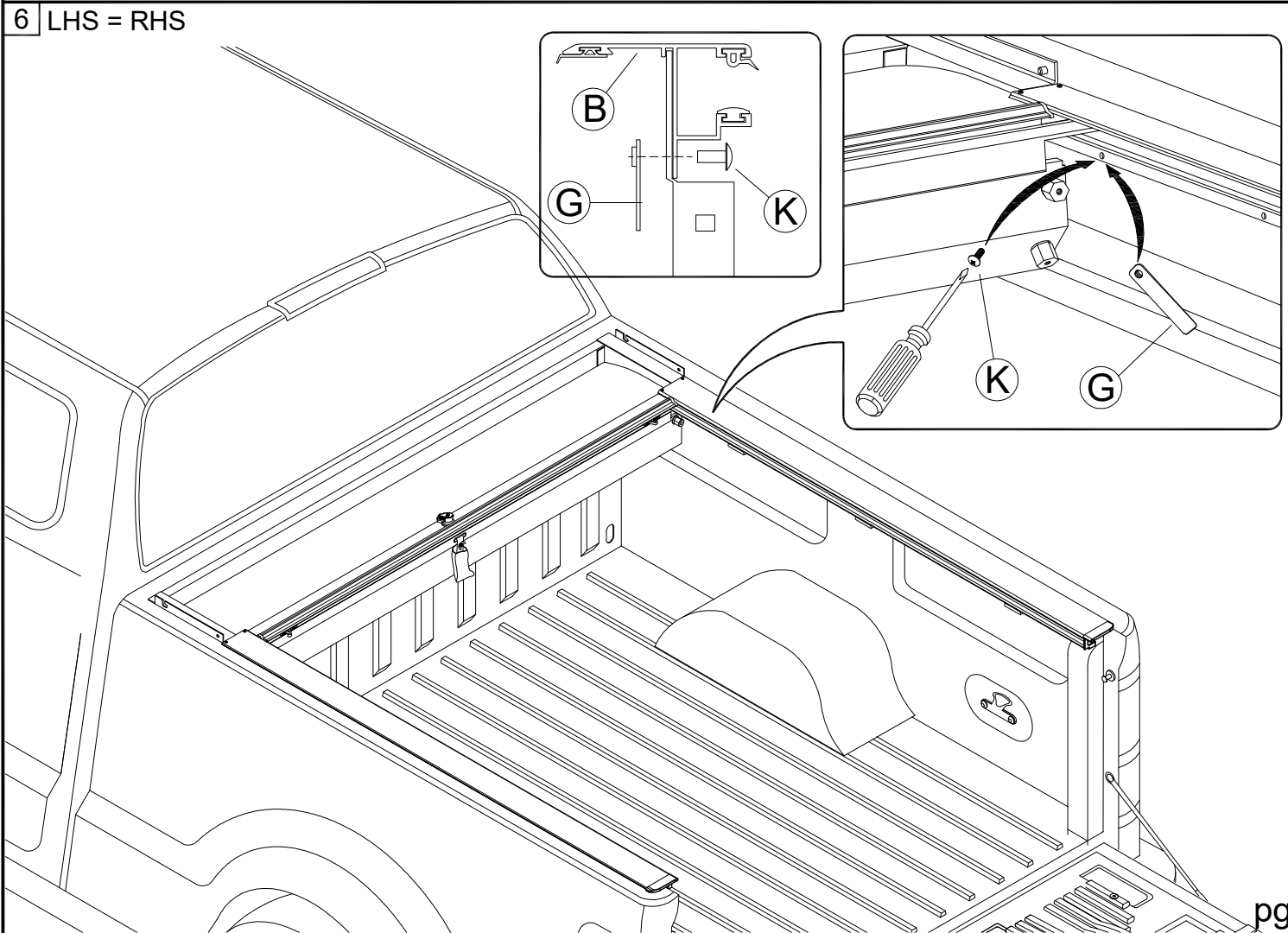
4 LHS = RHS

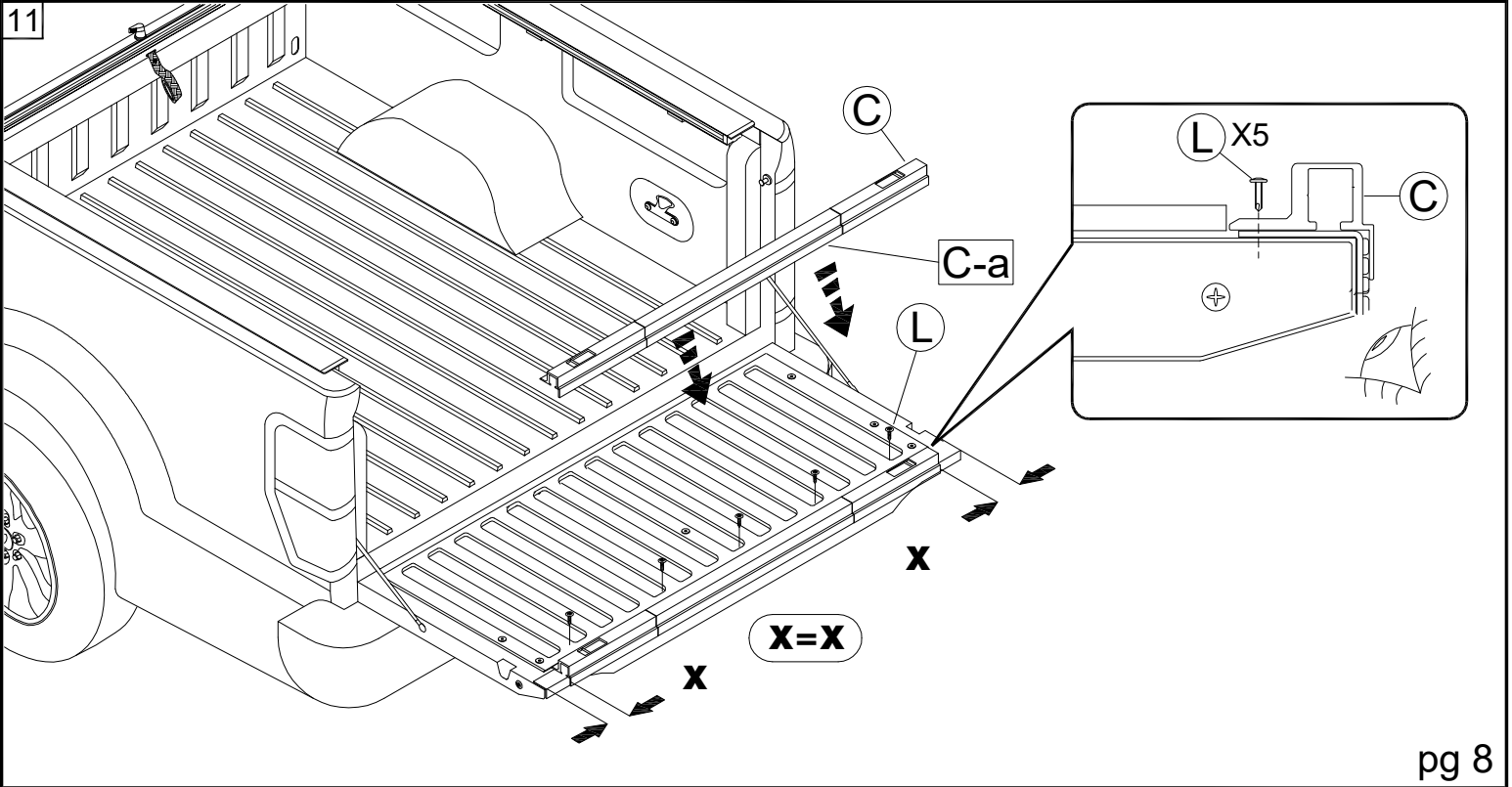
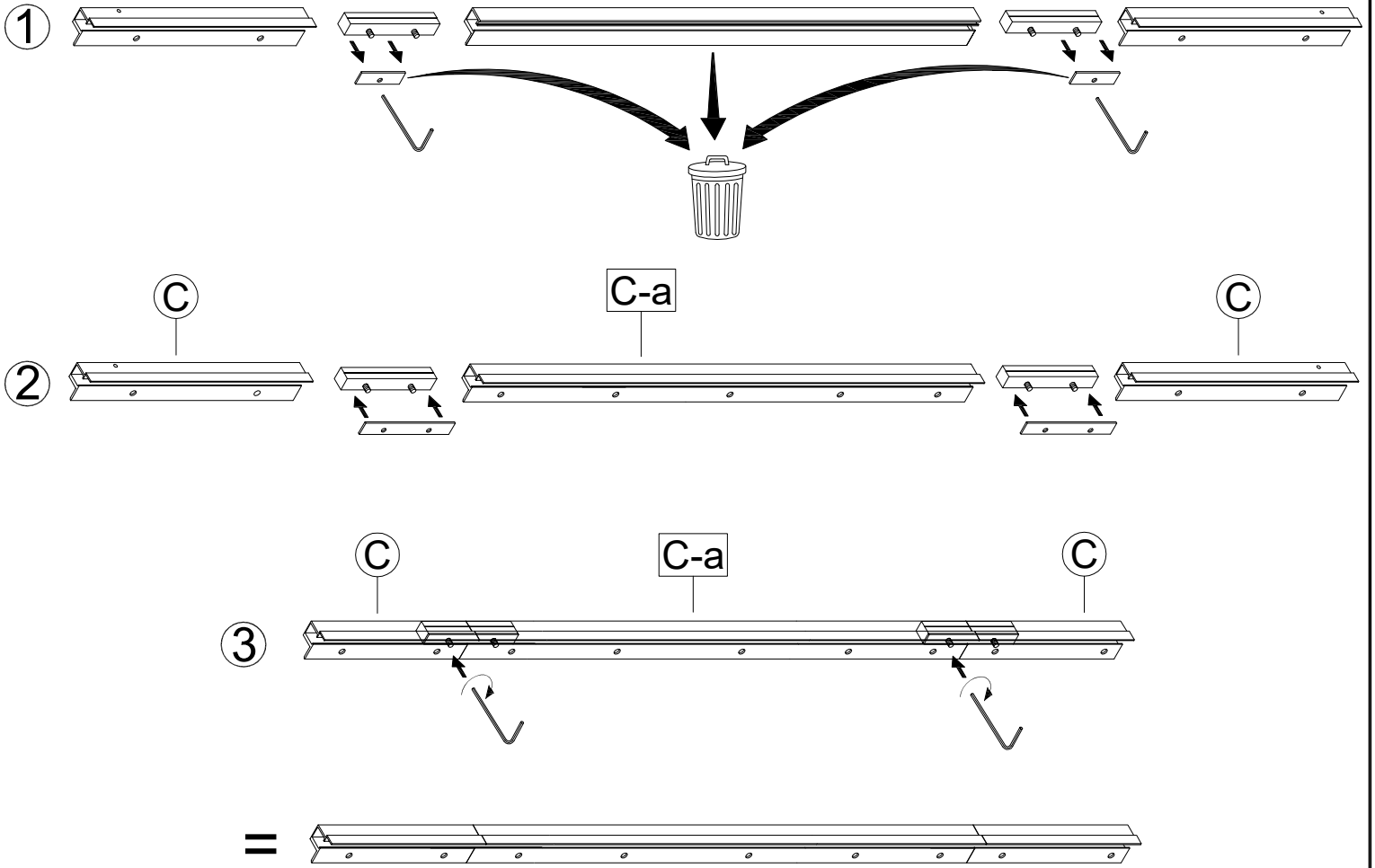


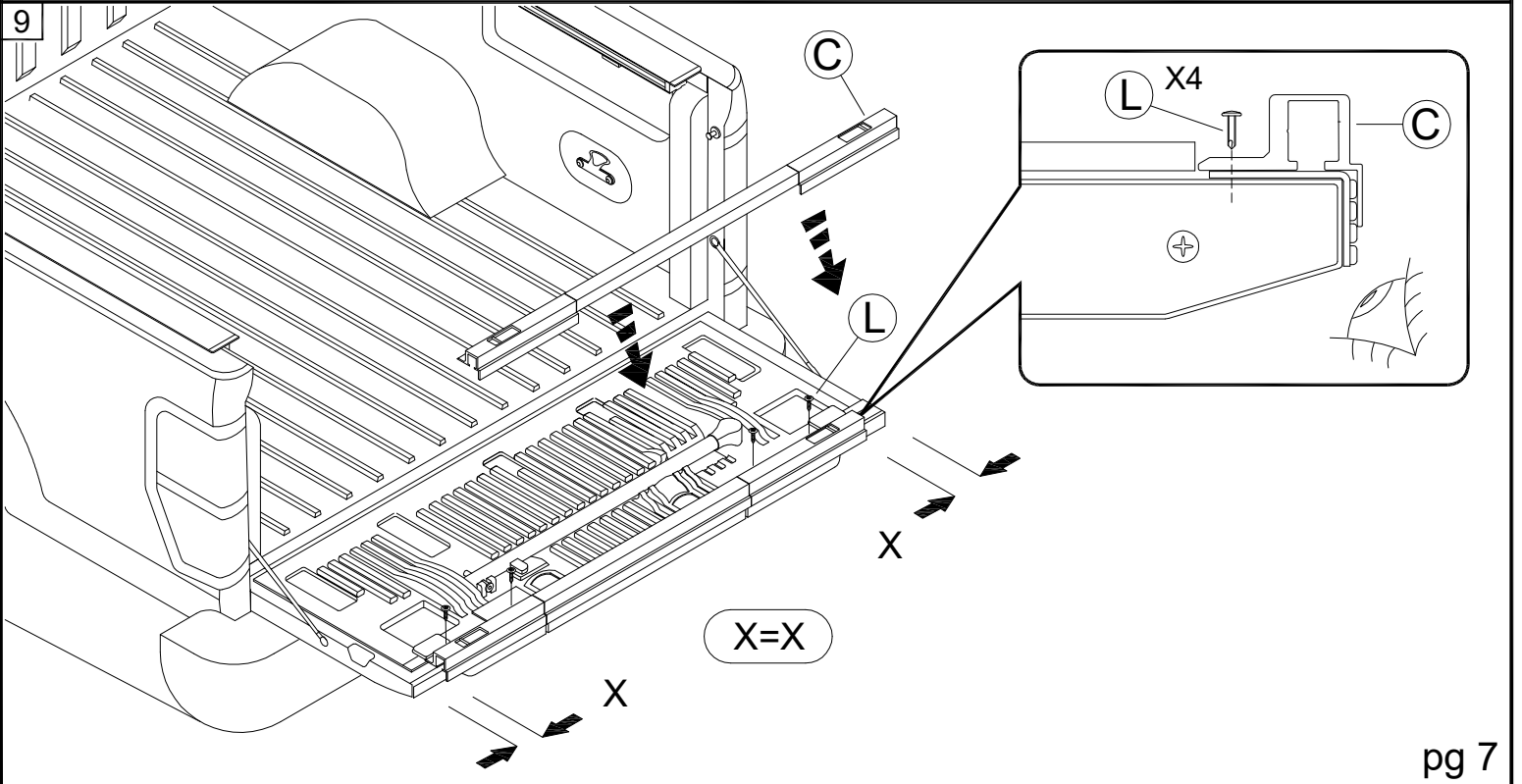
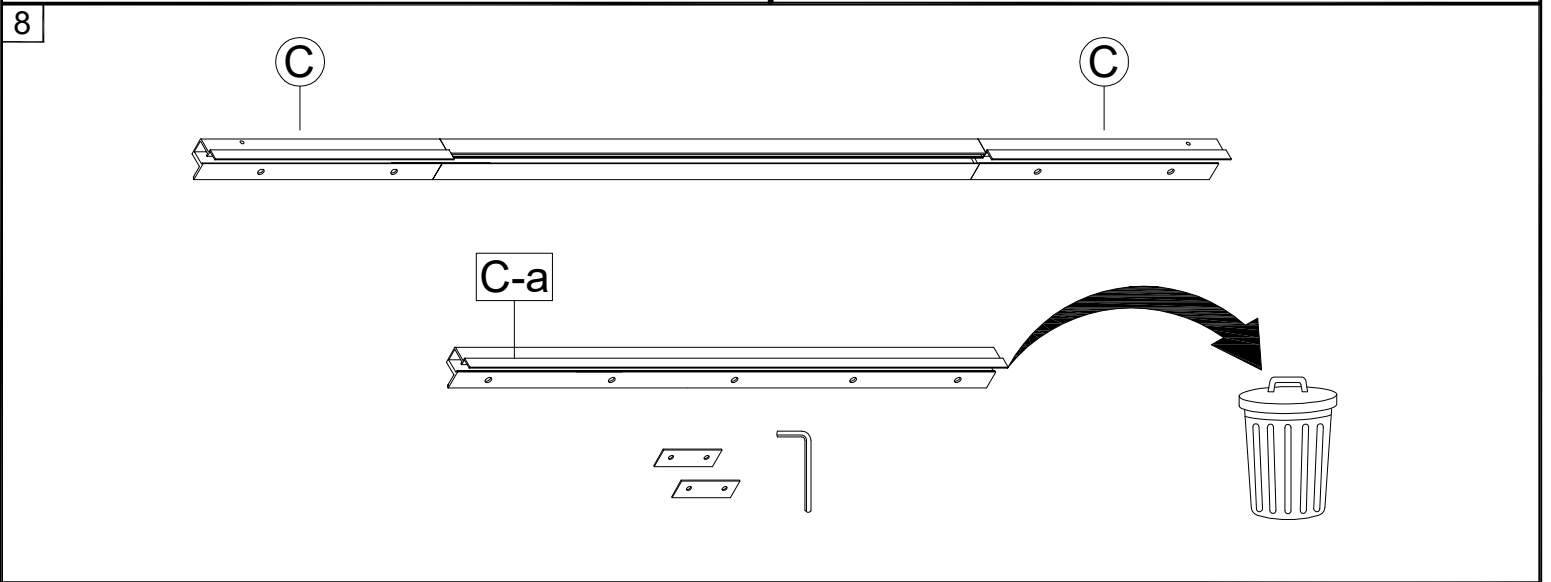
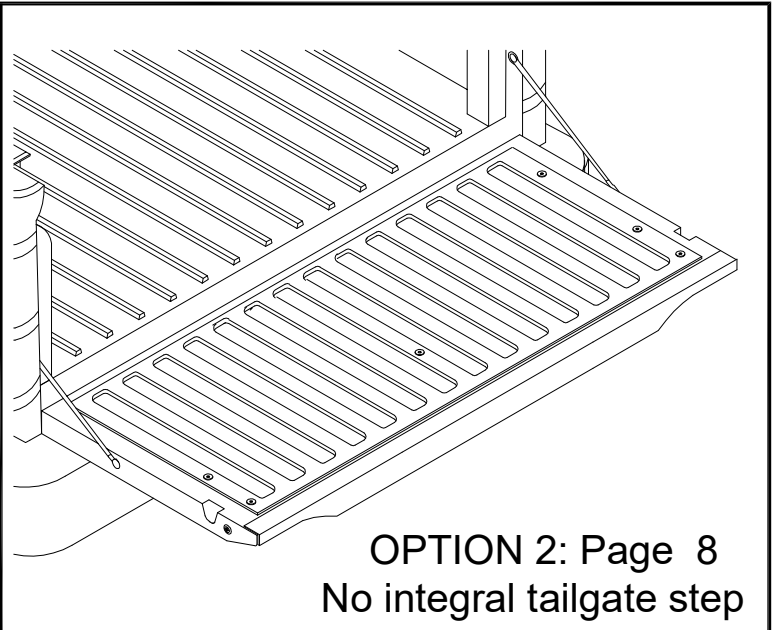
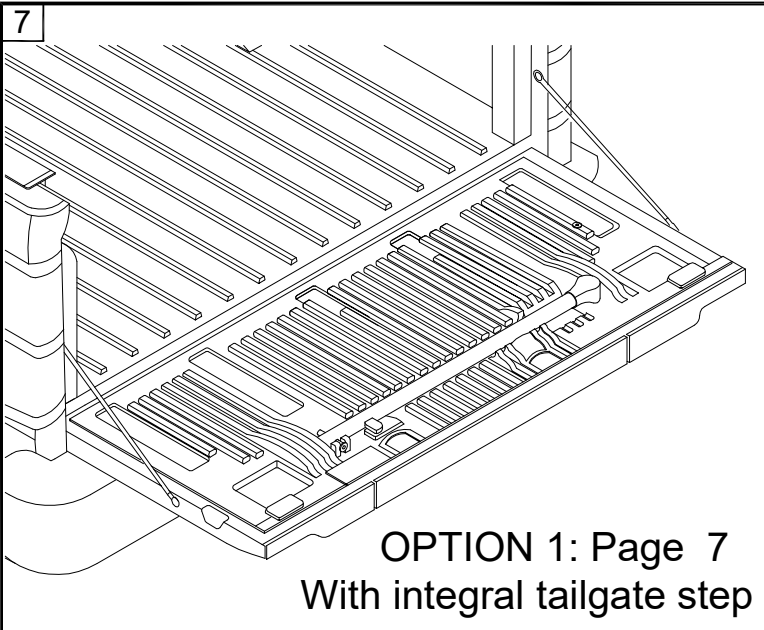
5 LHS = RHS



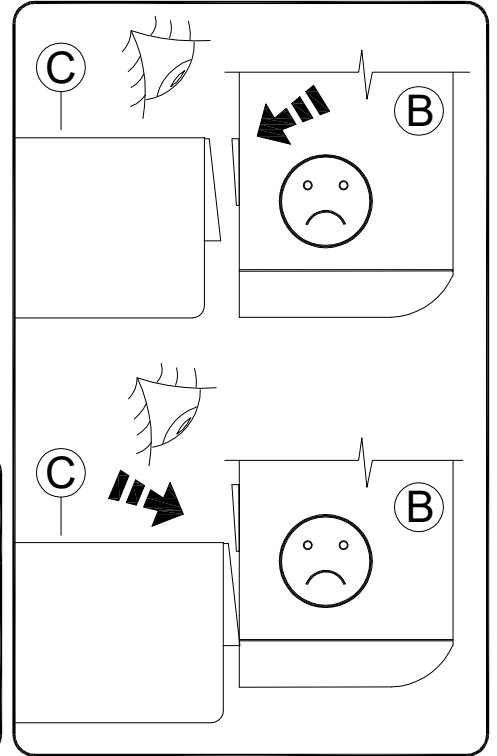
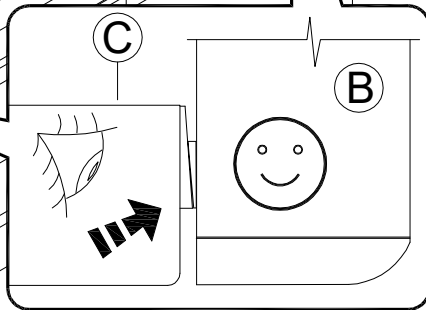
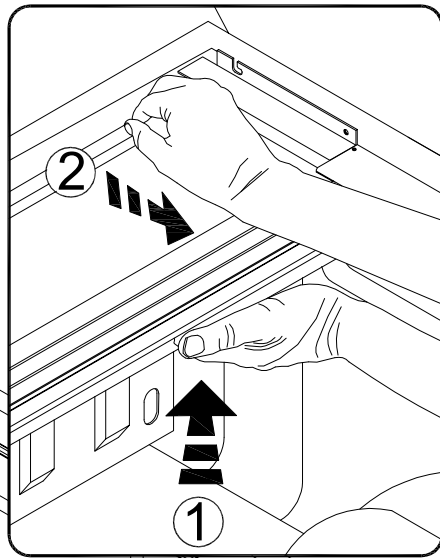
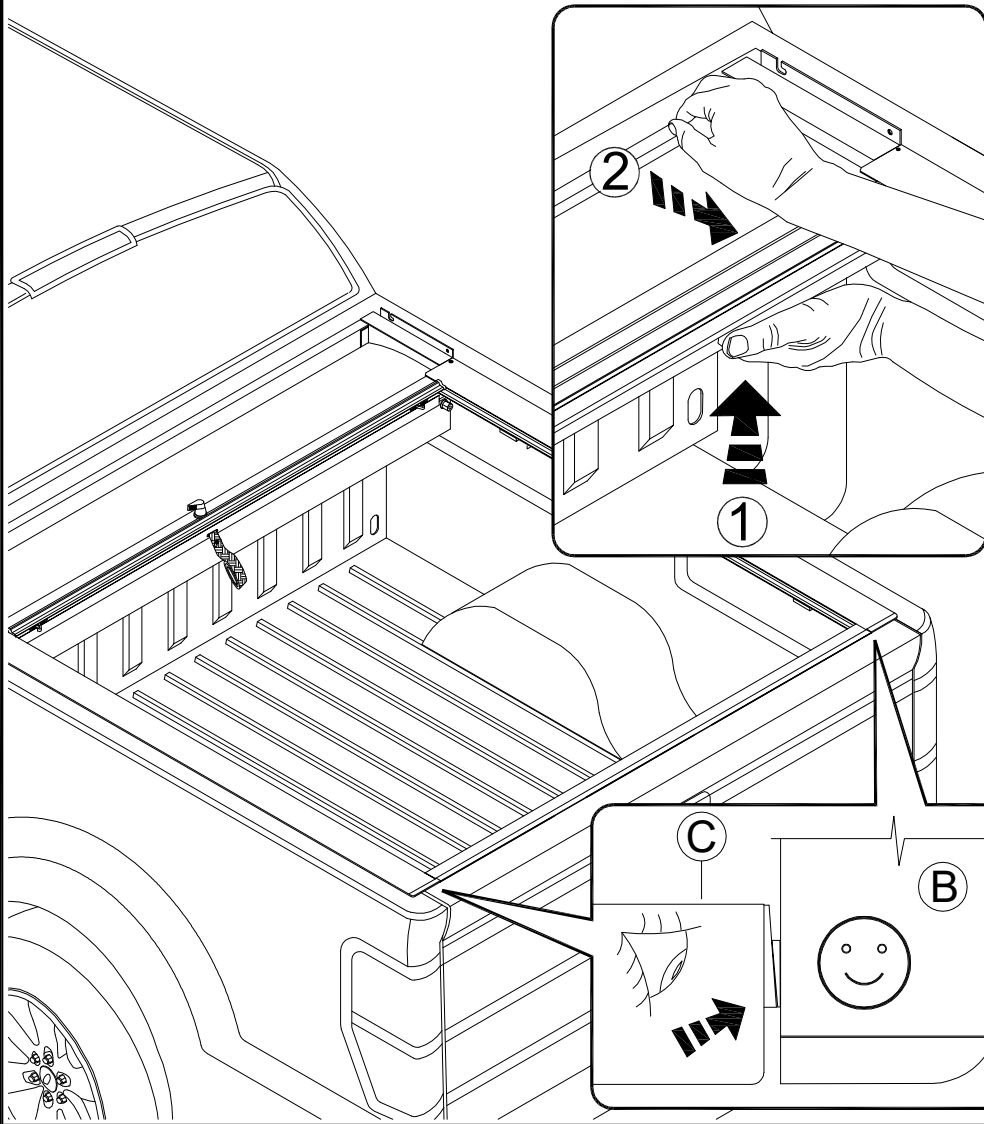
6 LHS = RHS



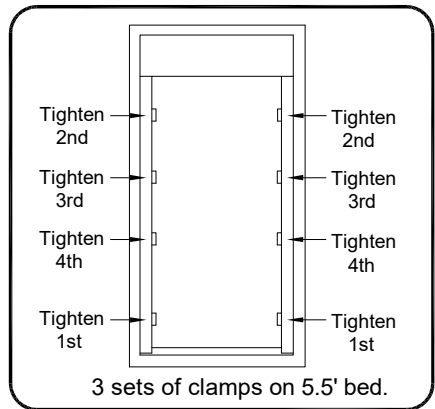
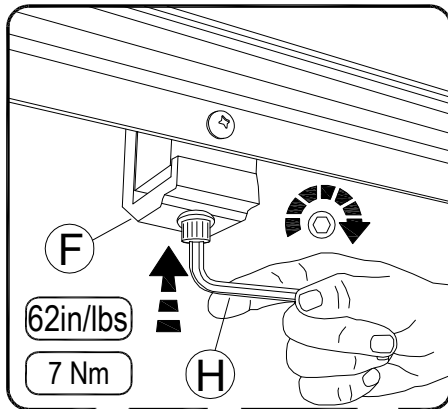
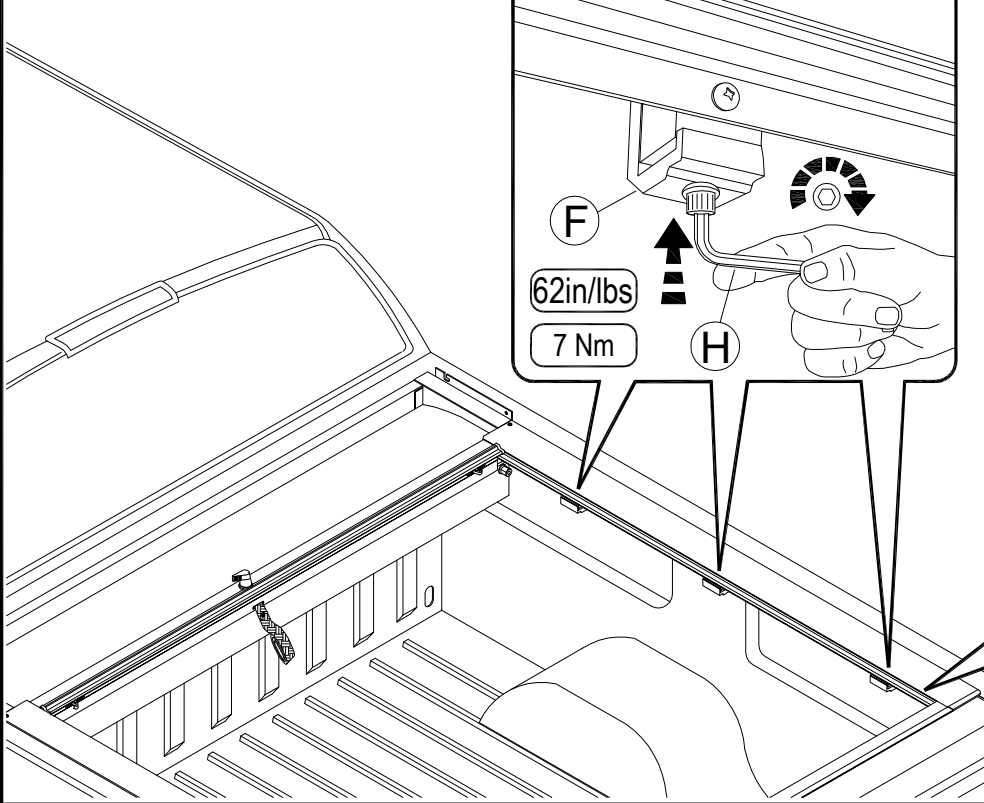




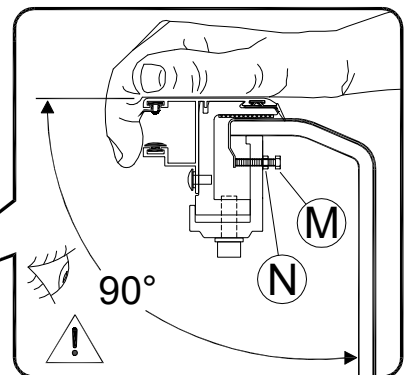
12 LHS = RHS



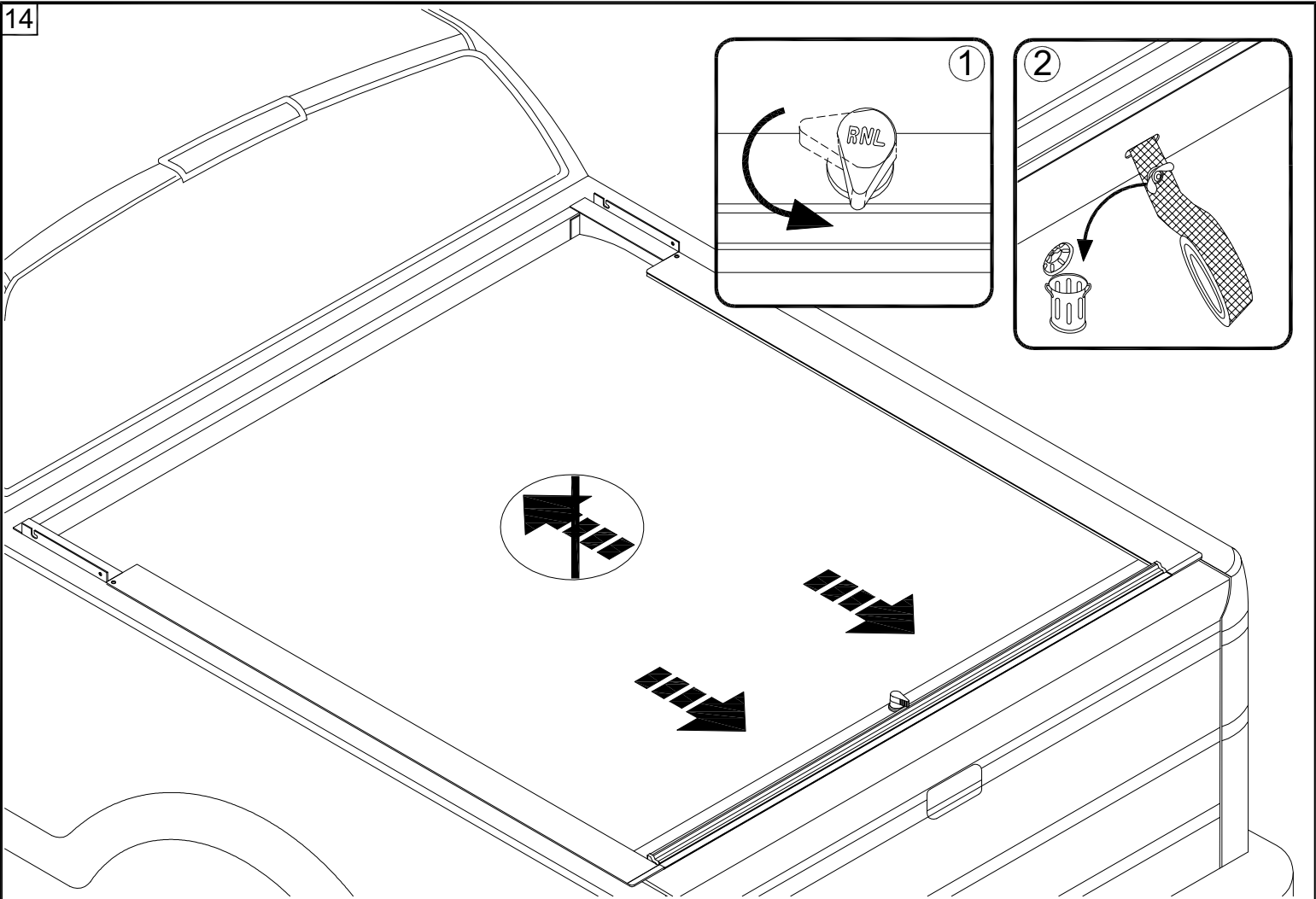
13 LHS = RHS



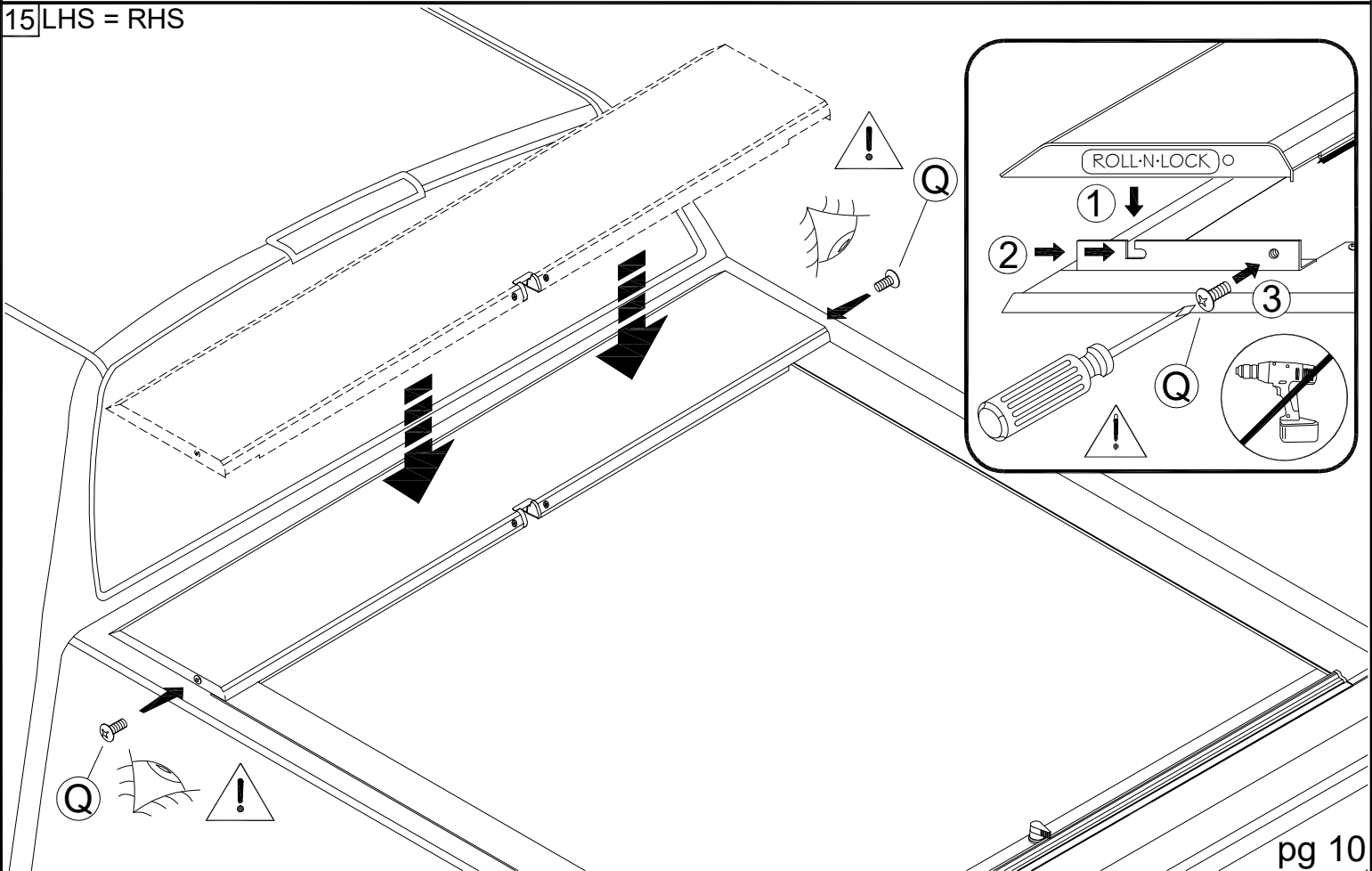
3 sets of clamps on 5.5' bed.



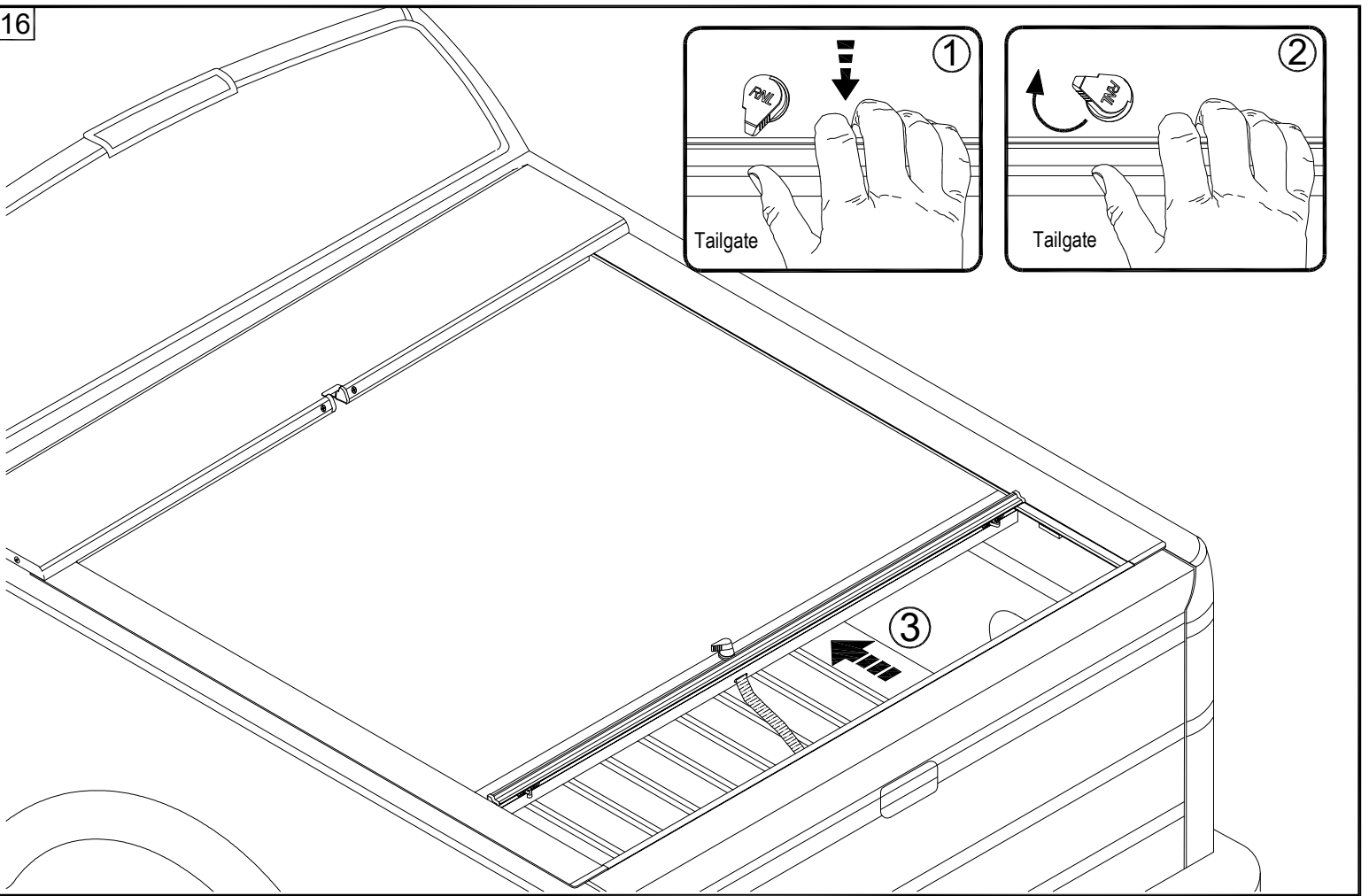
14



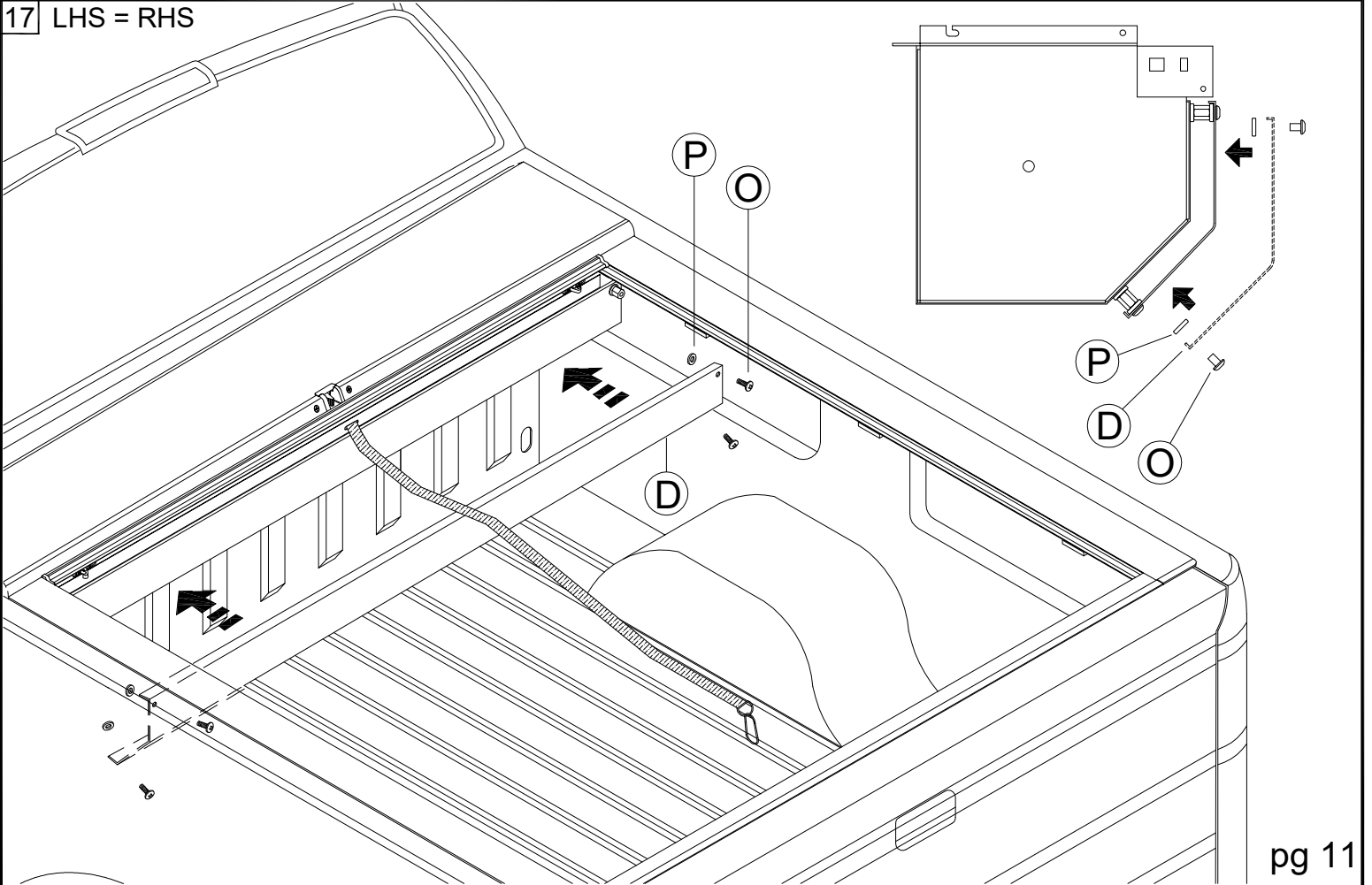
15 LHS = RHS



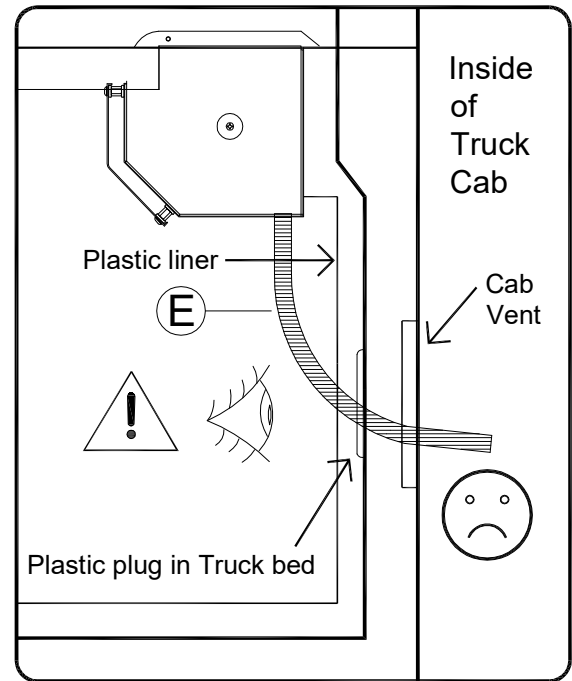
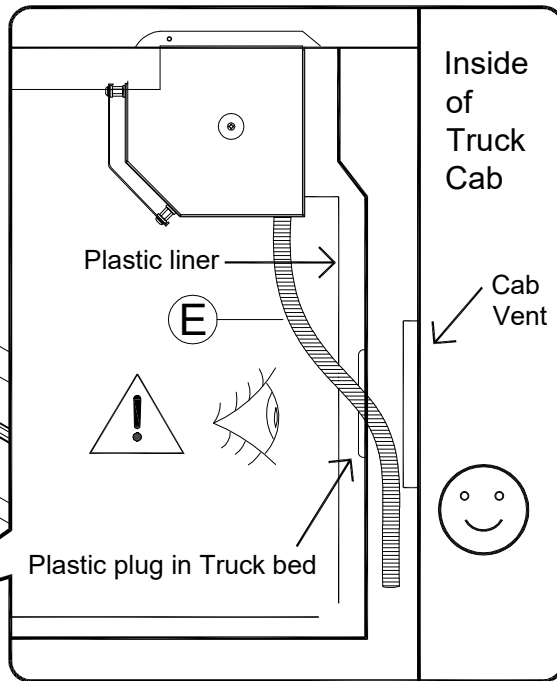
16



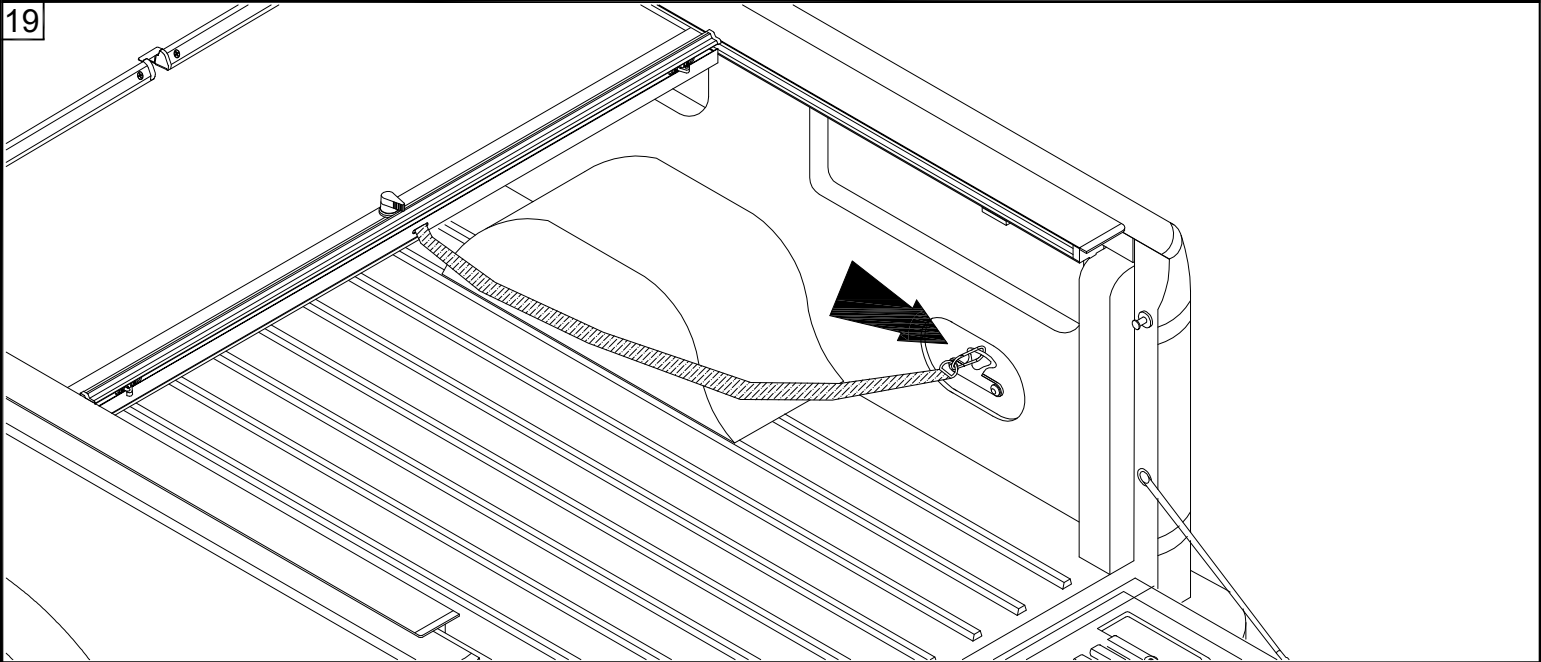
17 LHS = RHS



18 LHS = RHS



19



Any questions please call Customer Service at 800-952-7655
or email customerservice@rollnlock.com