

INSTALLATION INSTRUCTIONS

CUSTOMER SERVICE

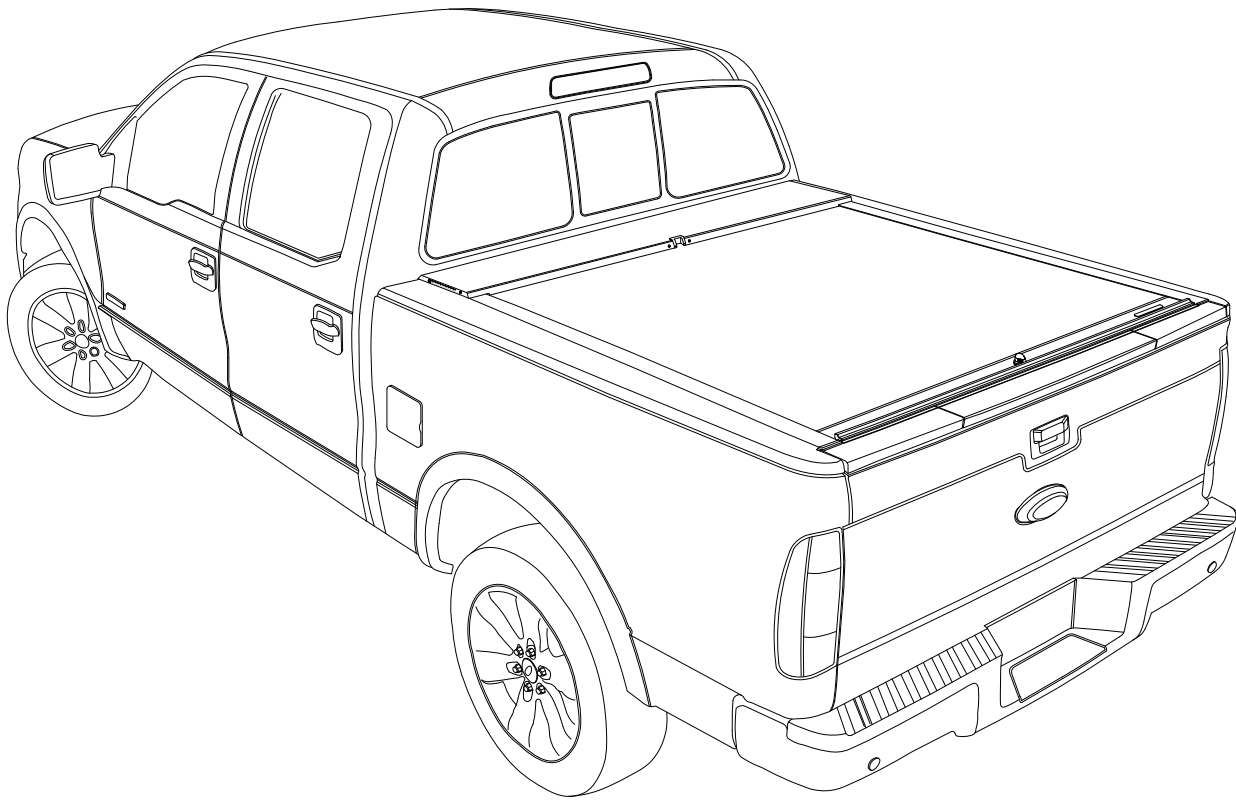
Phone: 800-952-7655 • MON - FRI 8:00 am - 5:00 pm EST

Email: INFO@ROLLNLOCK.COM



Installation Guide

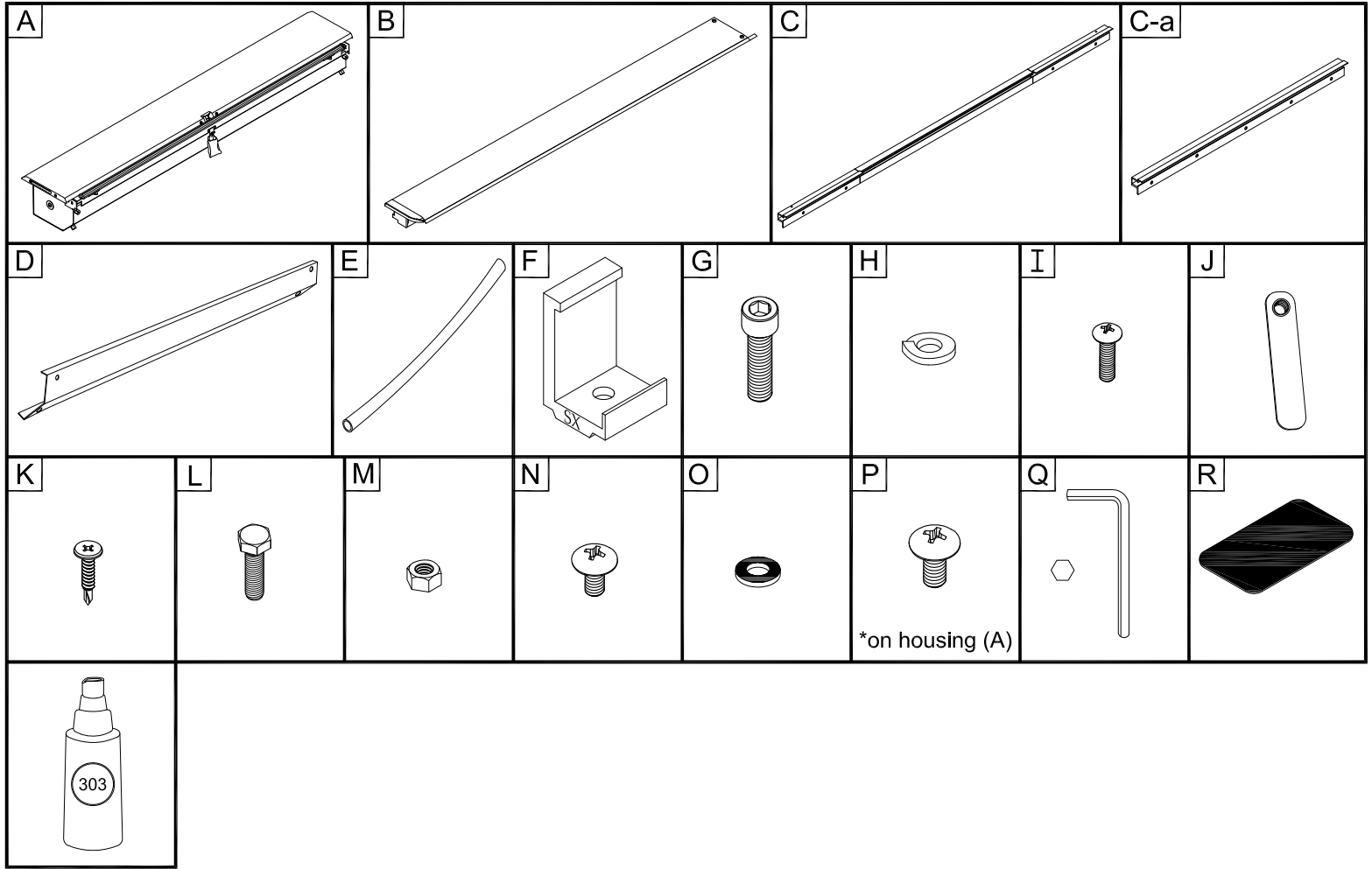
Ford Super Duty



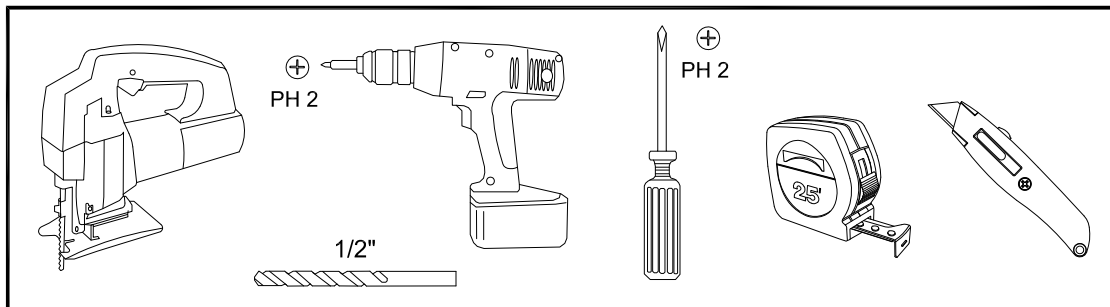
Product Code
109 - 119

Parts List

Item	Part Name	Qty.	Item	Part Name	Qty.	Item	Part Name	Qty.
A	Housing	1	G	5/16" Socket Cap Screw	8	N	1/4-20 x 3/8" Screw	4
B	Track	2	H	5/16" Lock Washer	8	O	Rubber Washer	4
C	Tailgate Extrusion	1	I	#10-24 Screw	2	P	1/4" Lid Screw	2
C-a	Alt. Tailgate Extrusion	1	J	Cargo Nut	2	Q	Allen Wrench (1/4")	1
D	Cargo Shield	1	K	#8 x 1 1/4" Self Tap Screw	7	R	Metal Stake Pocket Cover	1
E	Drain Tube	2	L	1/4-20 x 1" Bolt	2		303 Vinyl Protector	1
F	"SX" Bed Clamps	8	M	1/4-20 Hex Nut	2			



Tools Needed



1a If no bedliner present
proceed to
page 4 - step 1

Tailgate Protector Panel
mark cut line

2"

Tailgate

Bedliner

Tailgate Protector
Panel

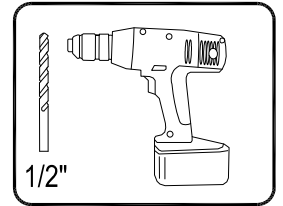
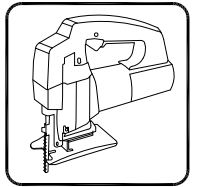
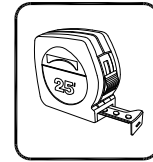
1b

5"

X = 109 Housing = Cut 7" Deep

X = 119 Housing = Cut 8" Deep

Drill (5) 1/2" hole



1/2"

2" Cut Line

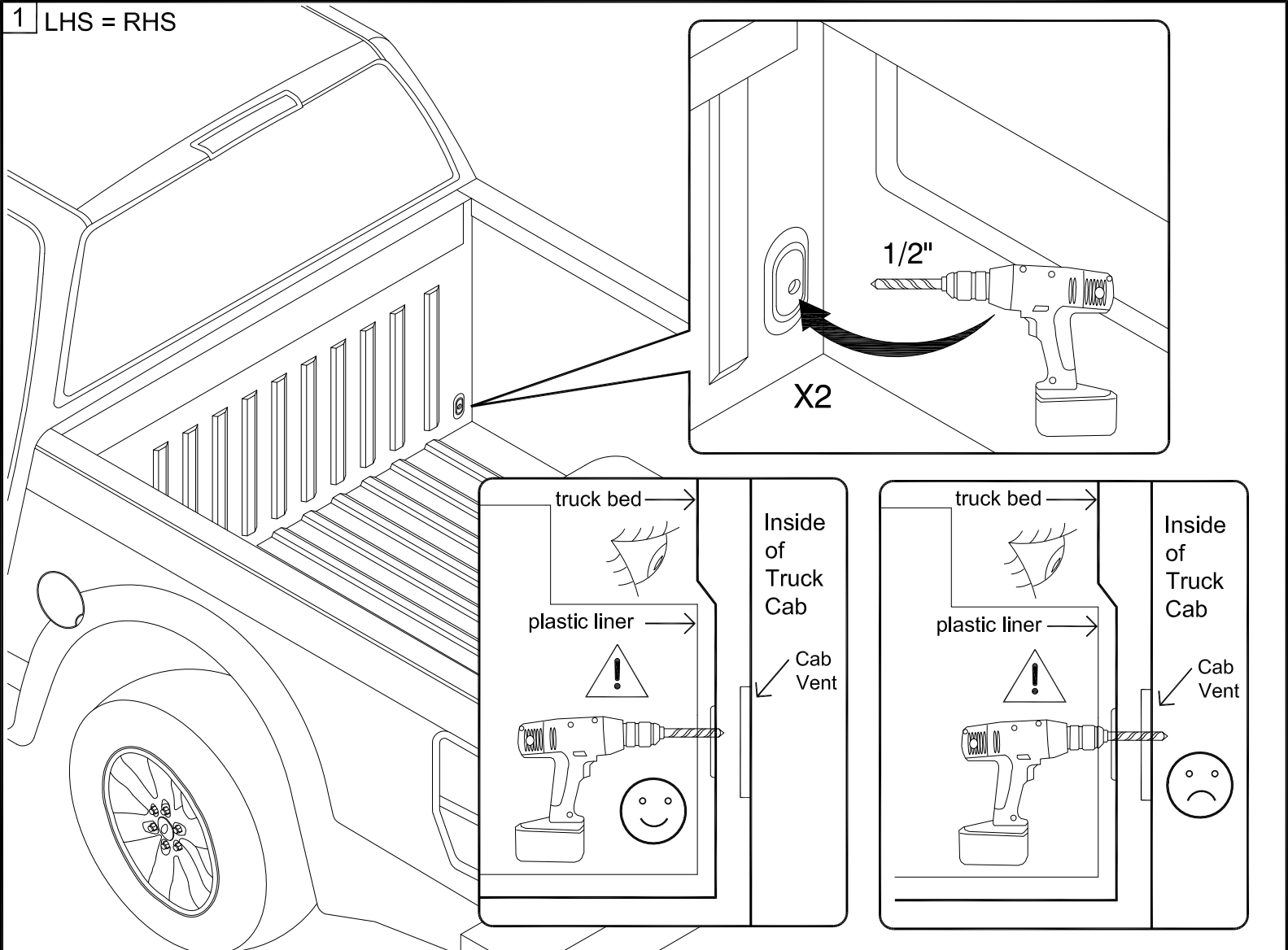
2" Cut Line

1c

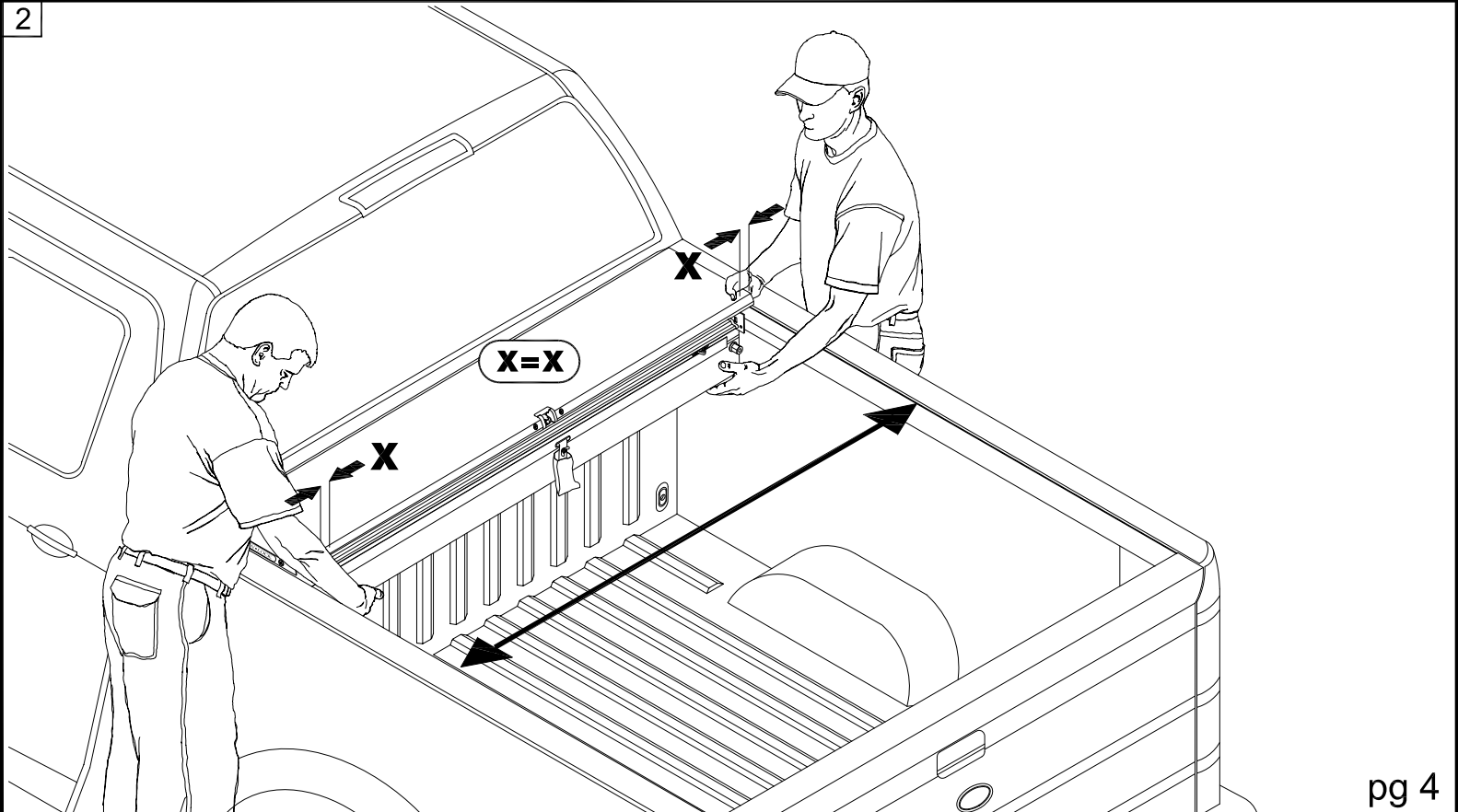
Bedliner

Tailgate Protector
Panel

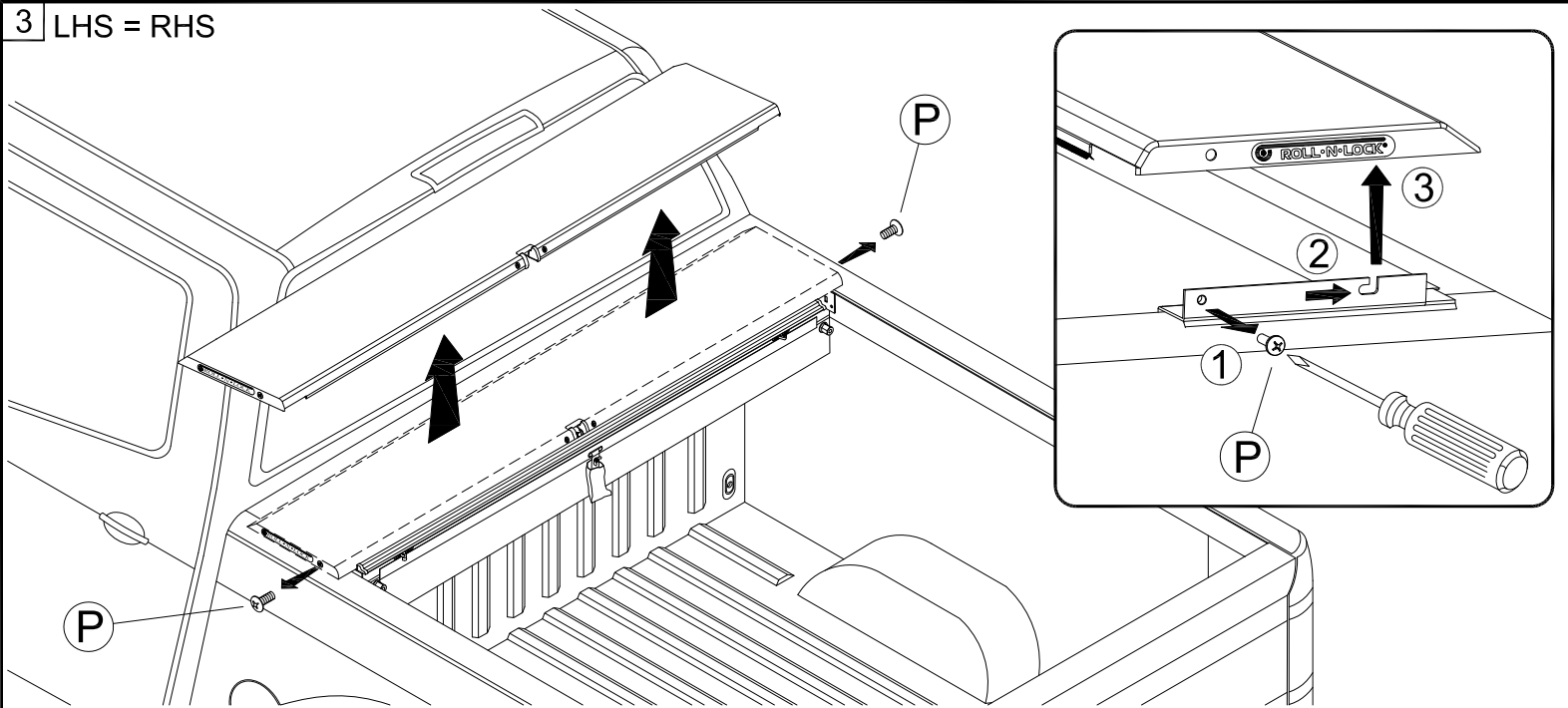
1 LHS = RHS



2

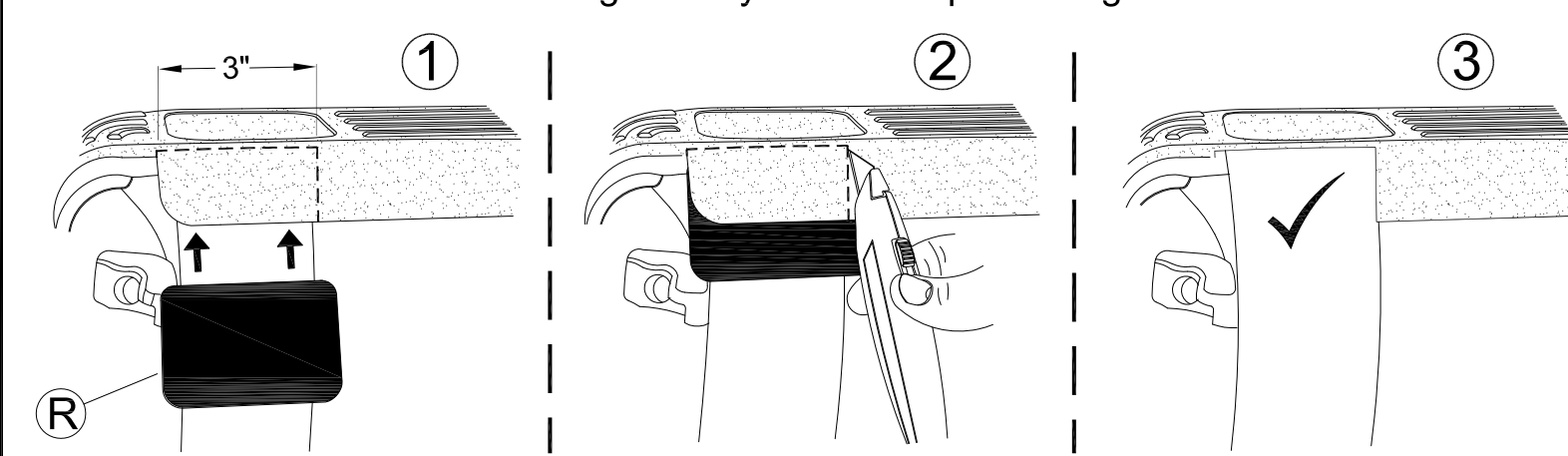


3 LHS = RHS

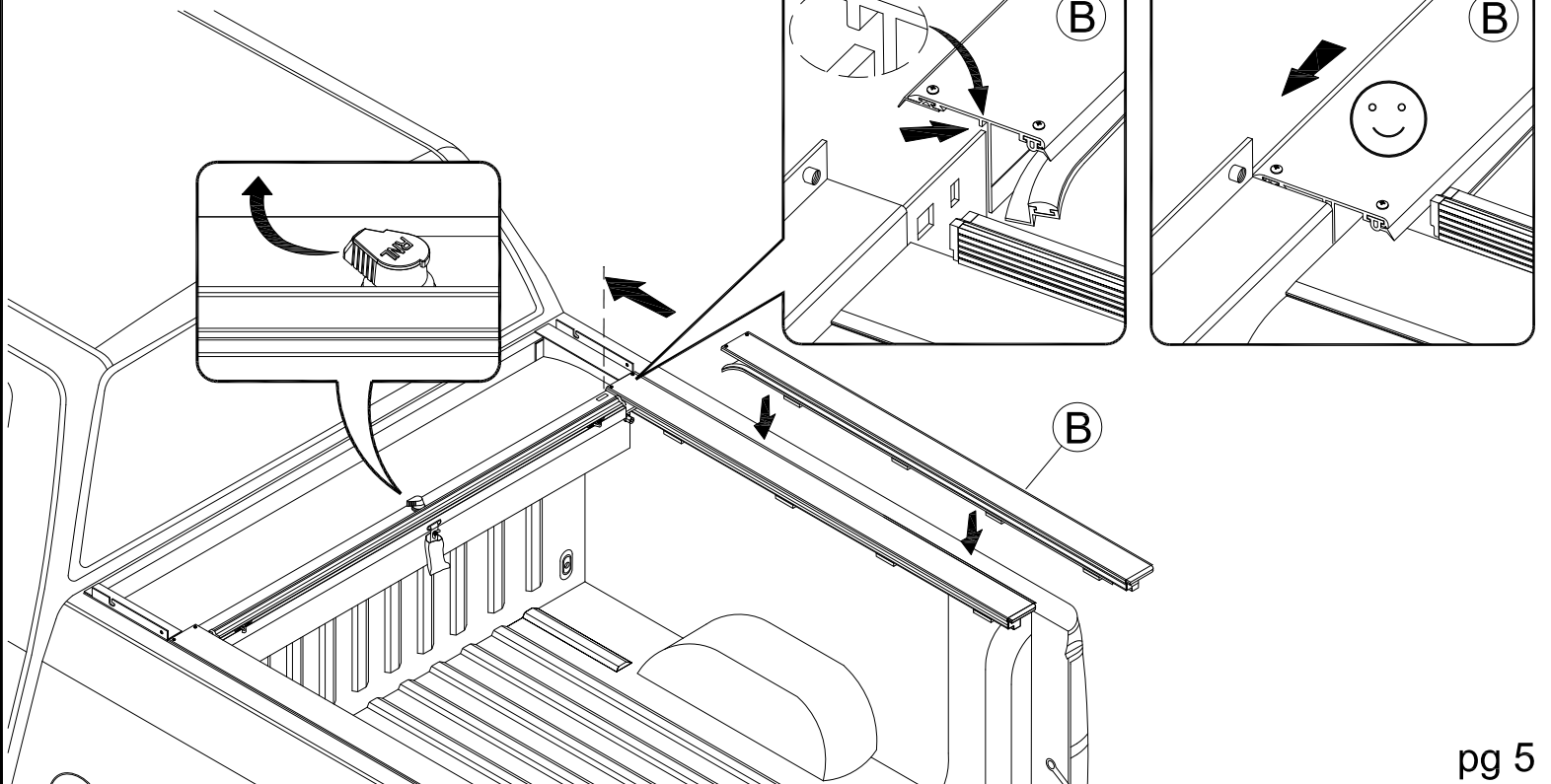


4 LHS = RHS

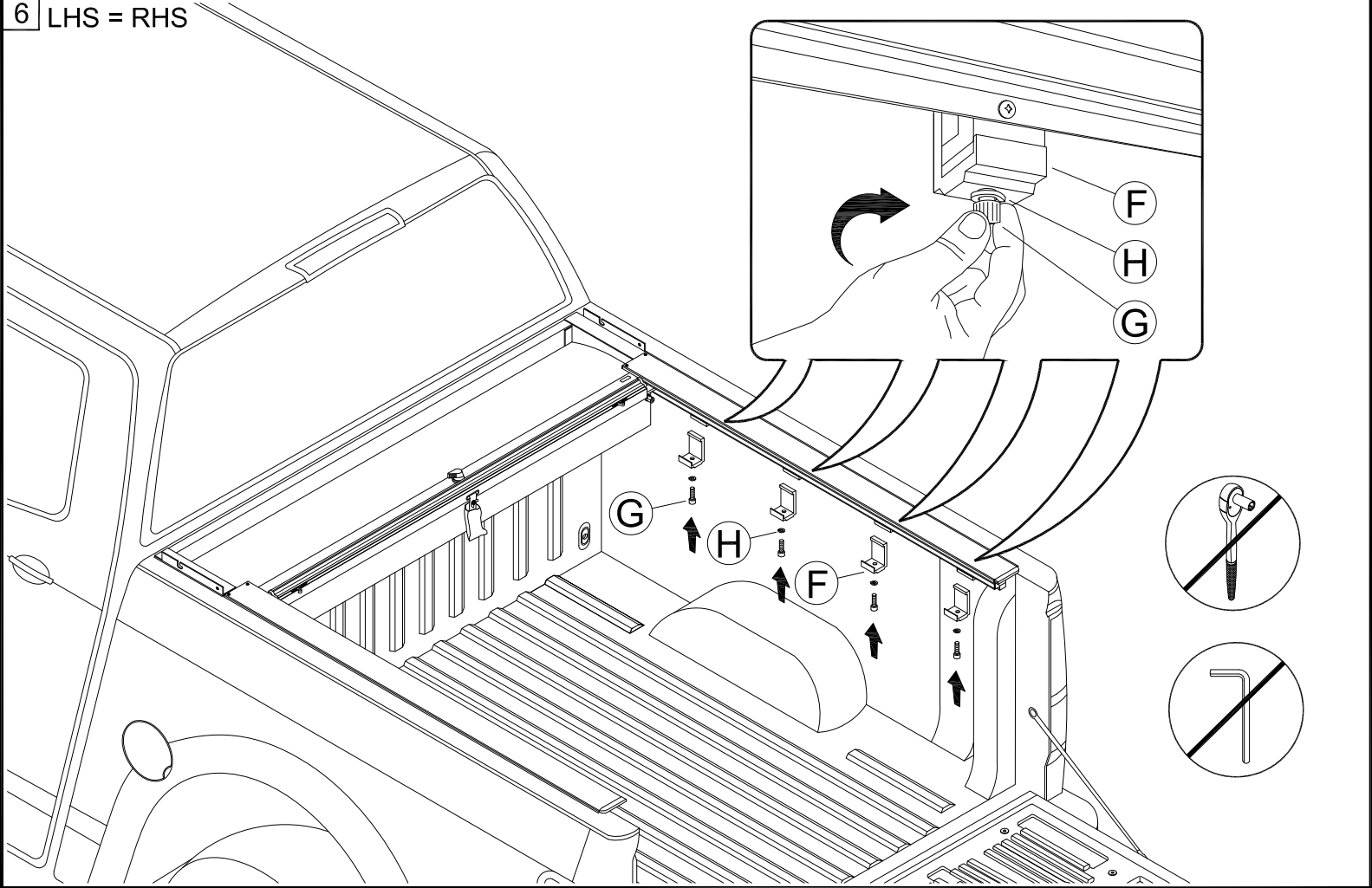
Notching Factory Bedrail Caps at Tailgate.



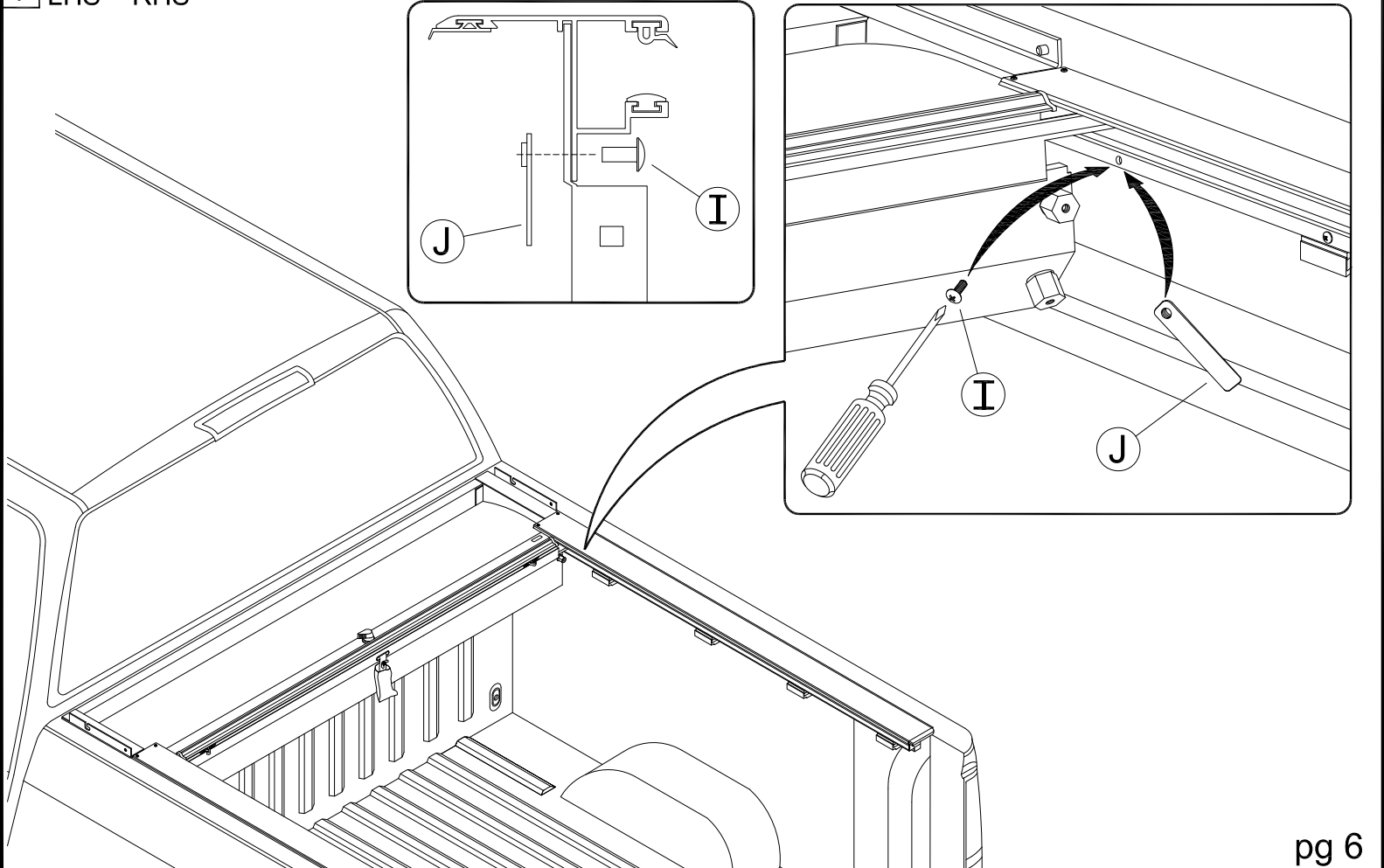
5 LHS = RHS

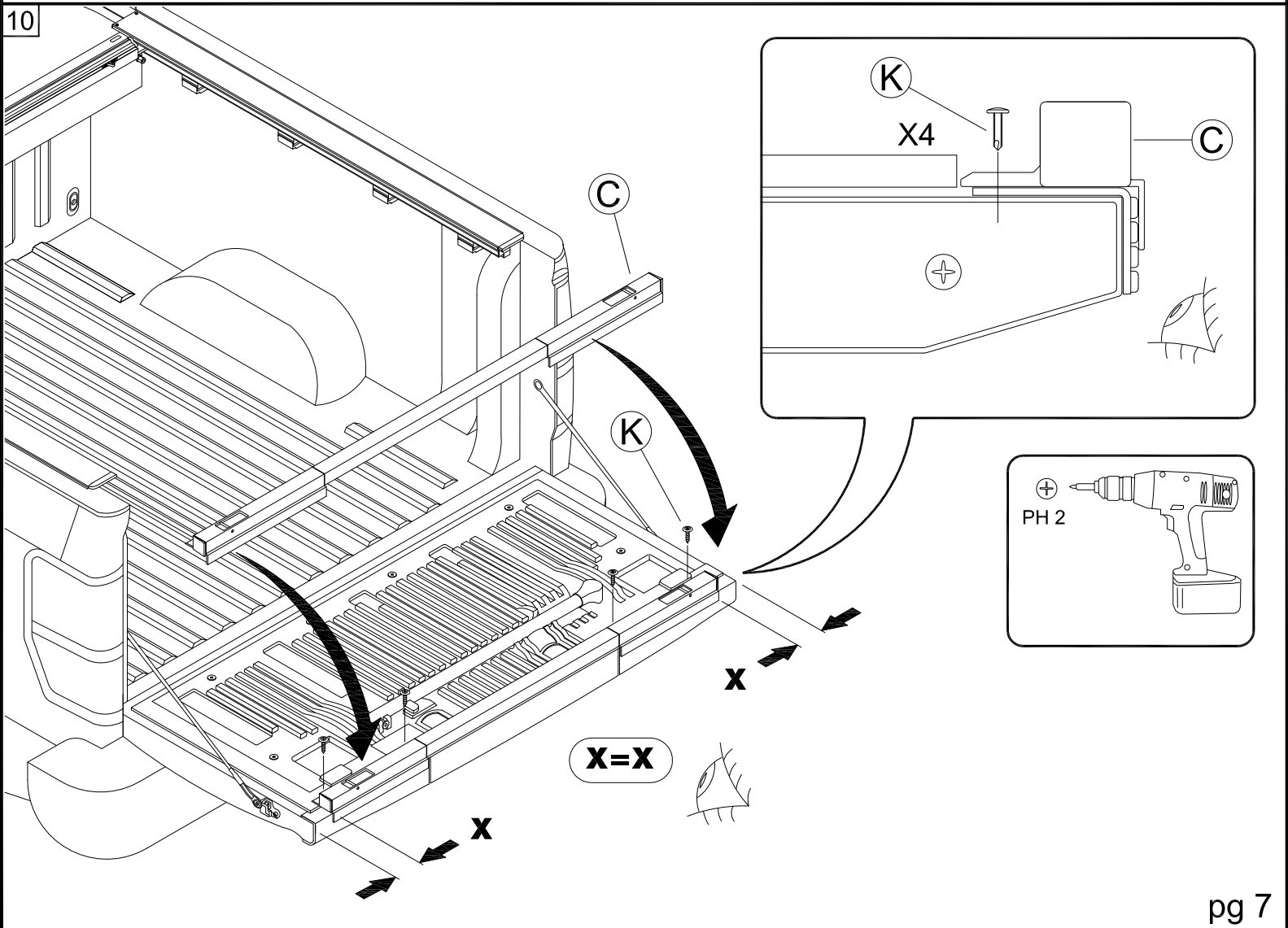
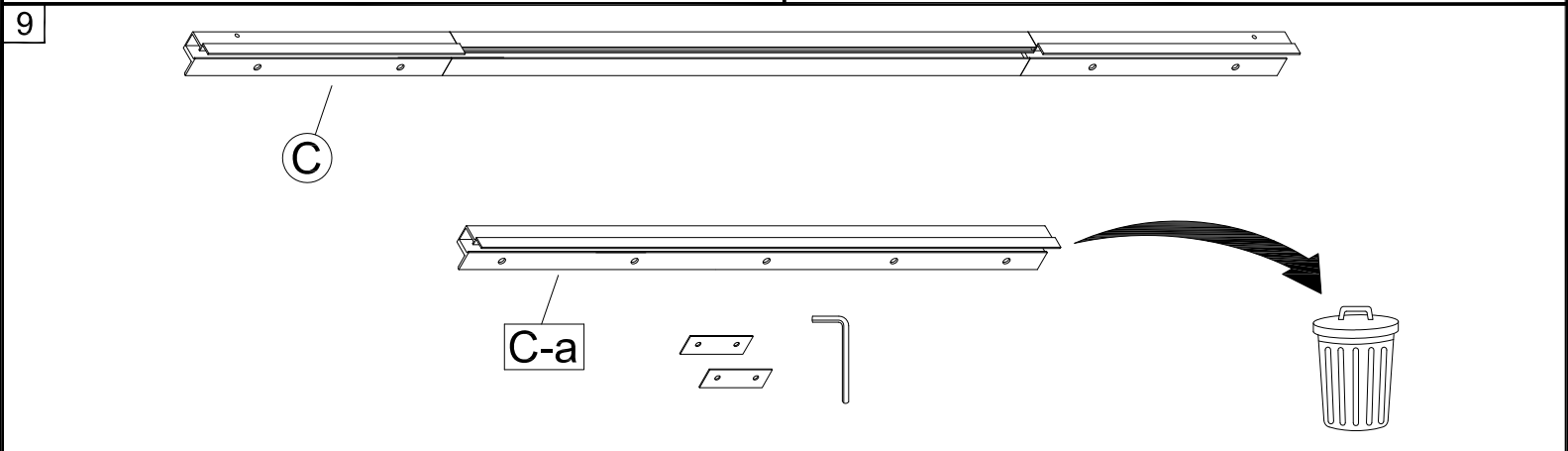
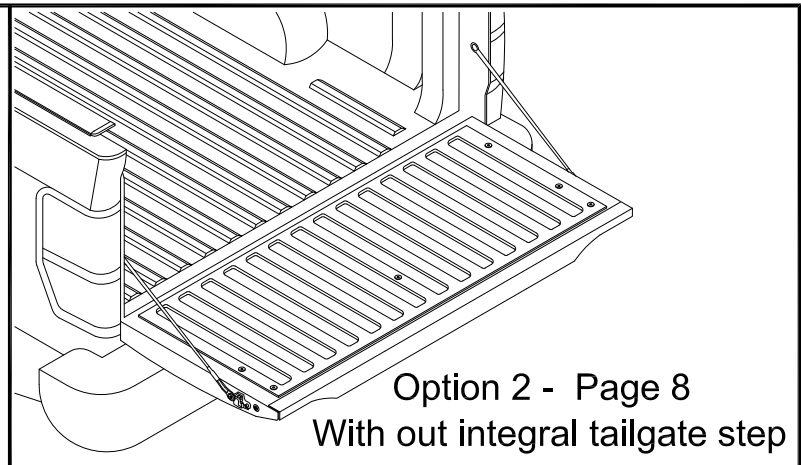
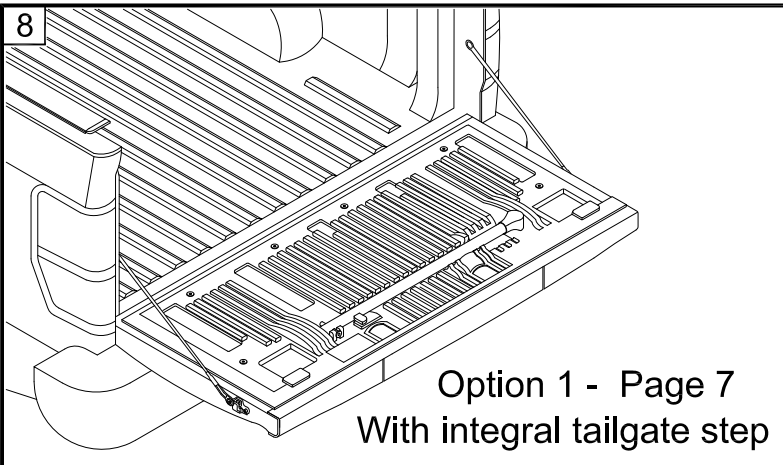


6 LHS = RHS

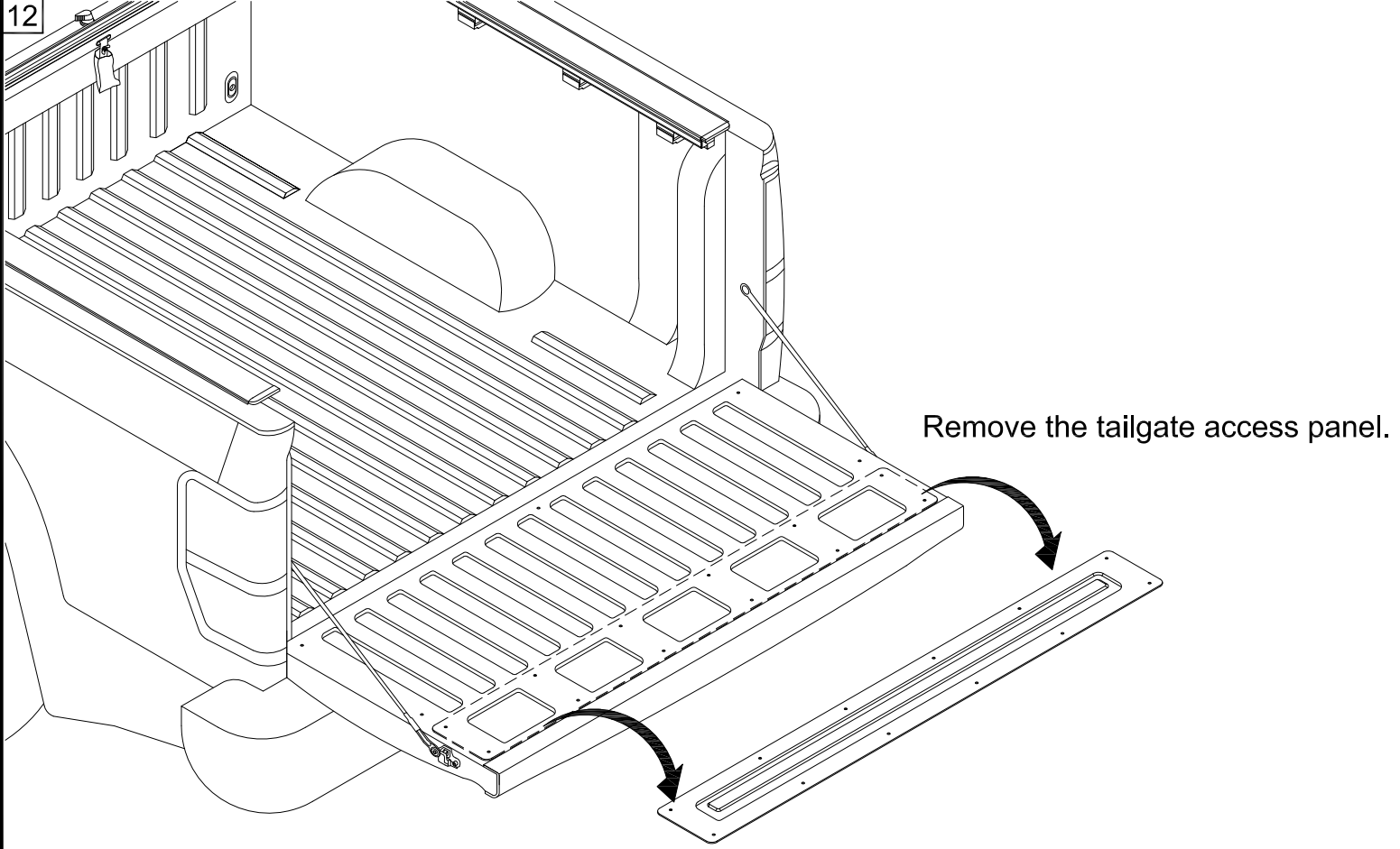
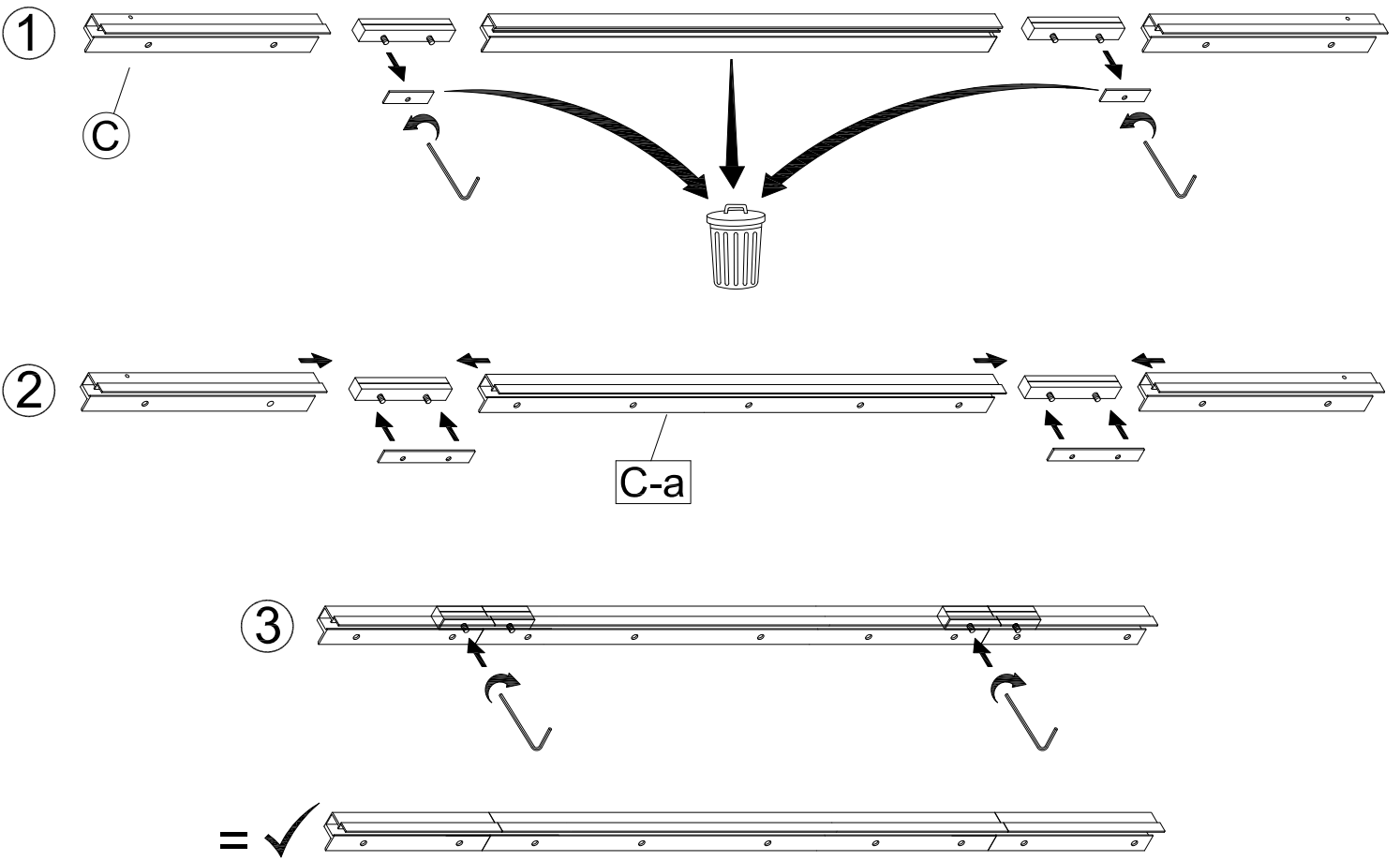


7 LHS = RHS

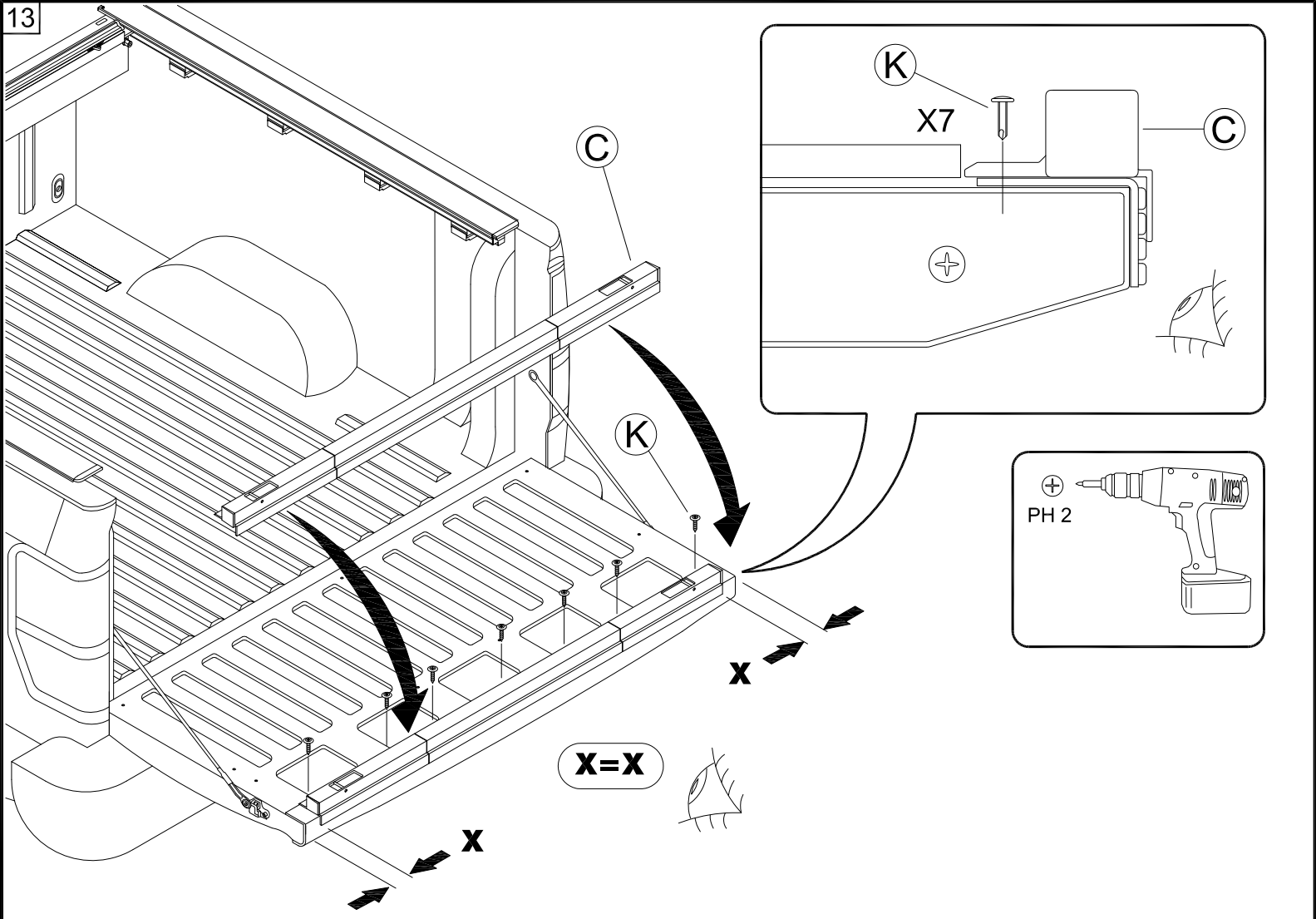




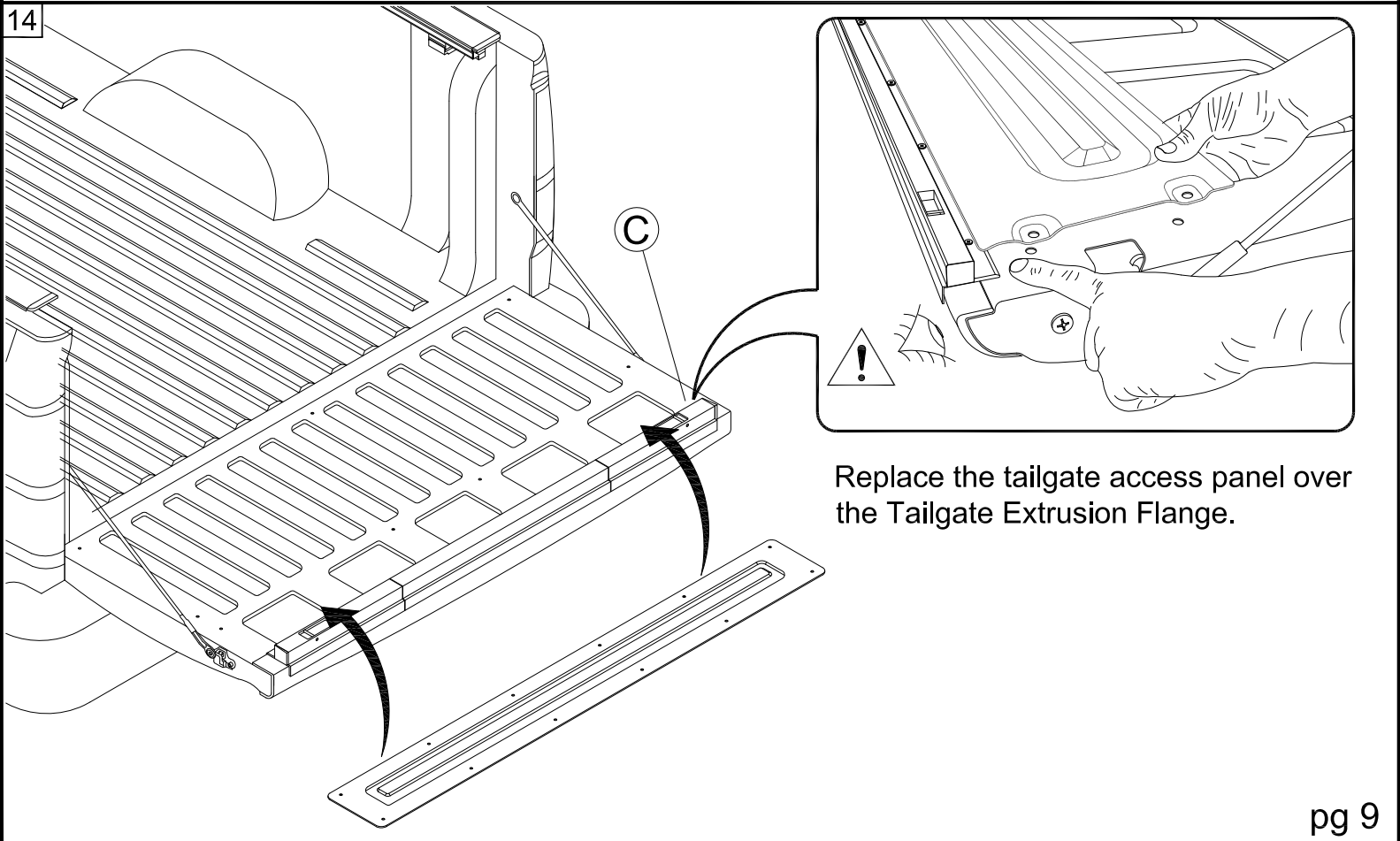
With out integral tailgate step.



13

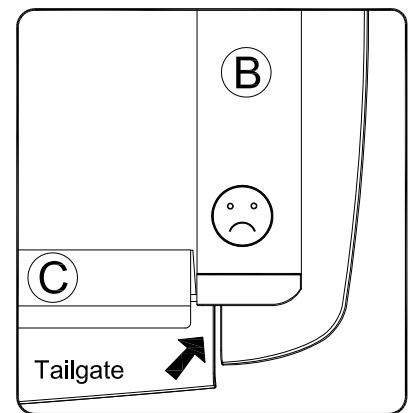
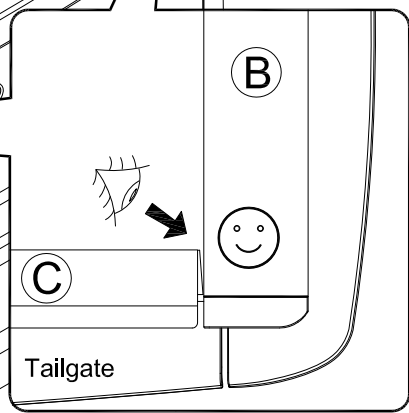
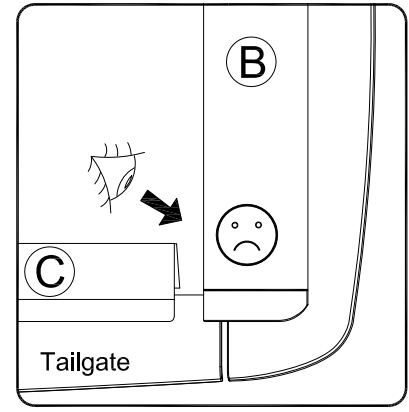
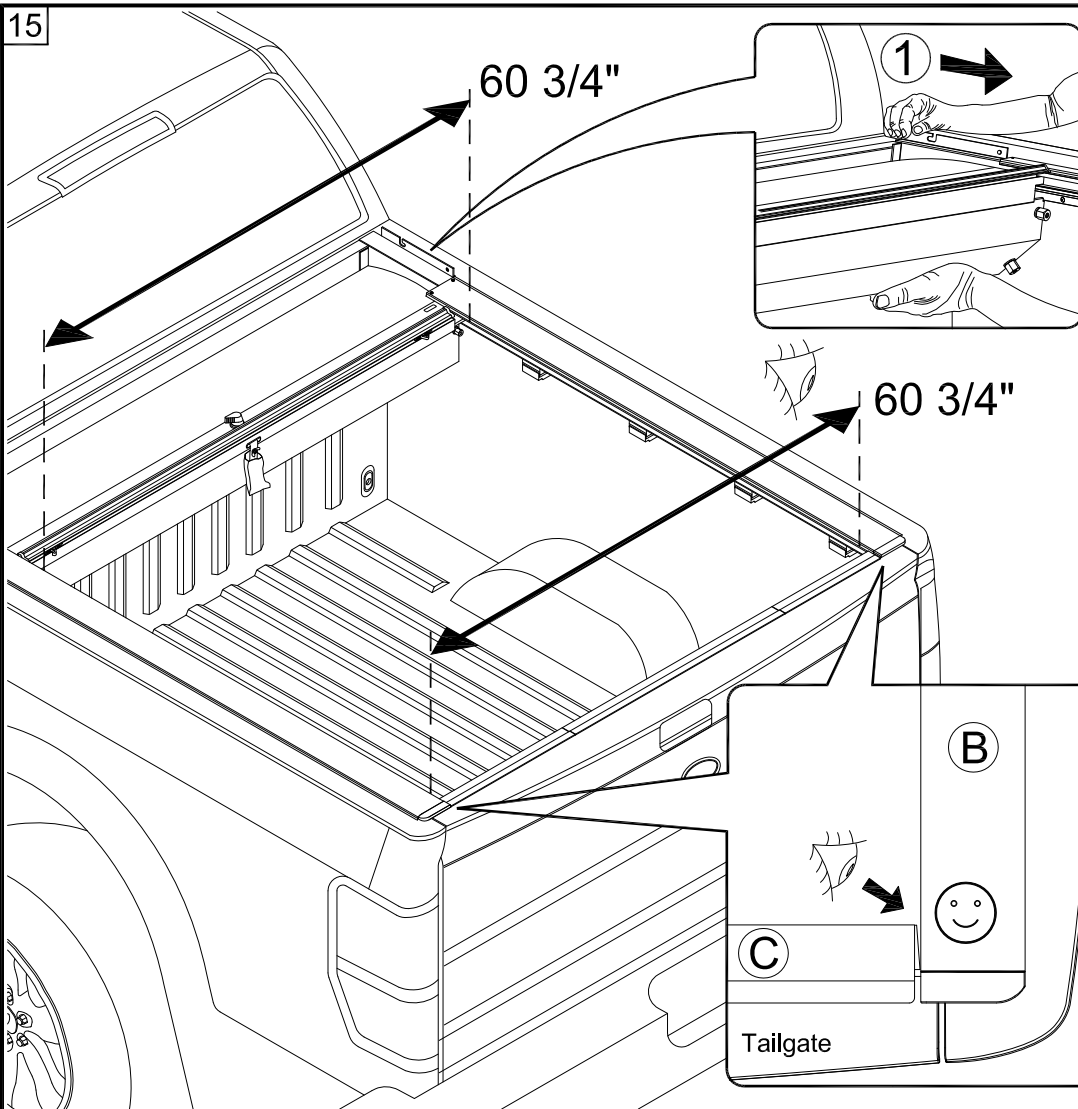


14

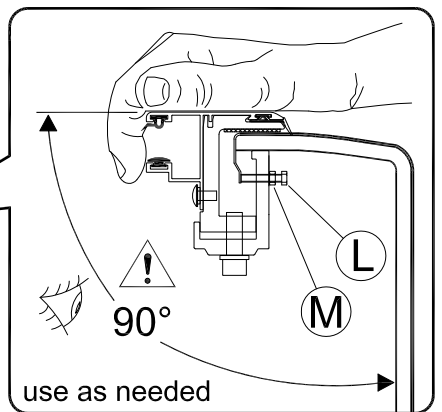
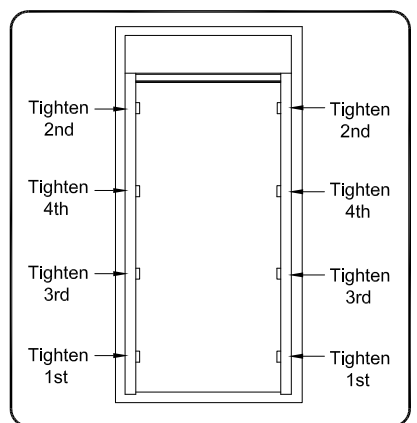
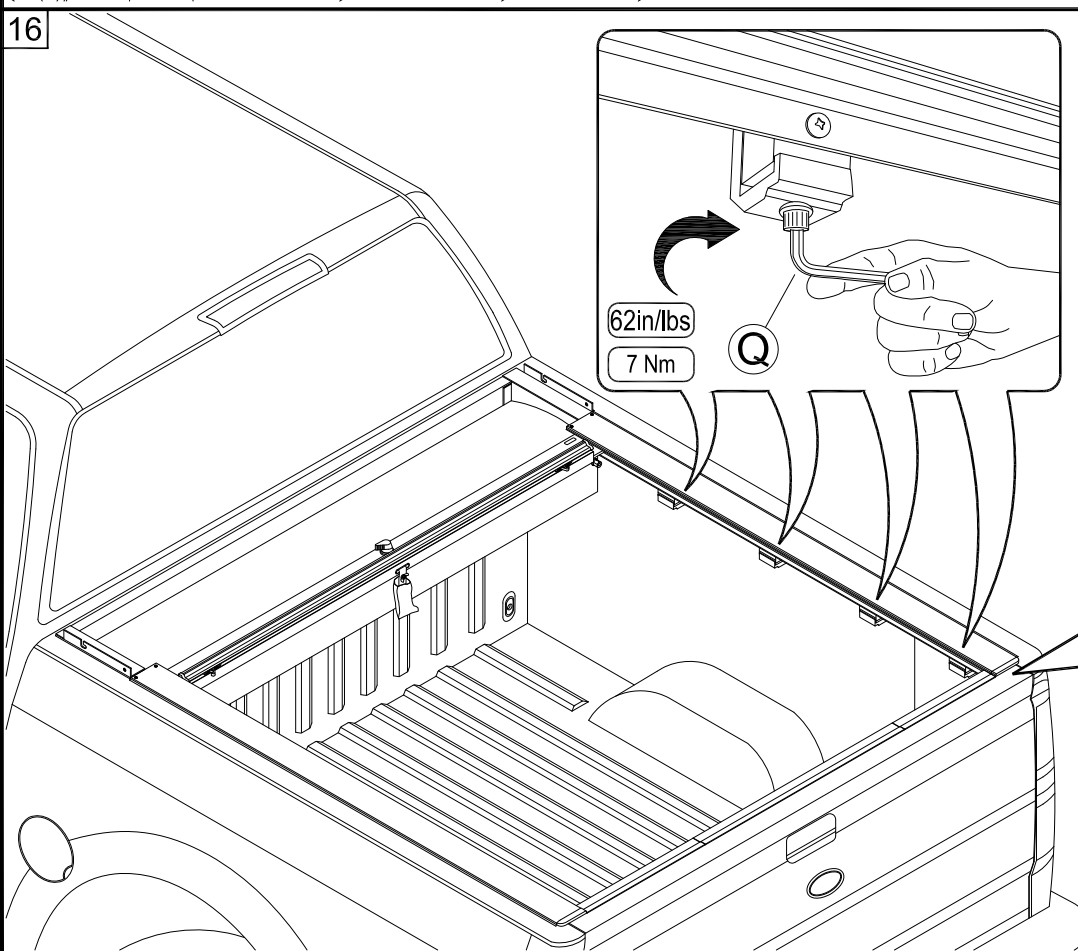


Replace the tailgate access panel over the Tailgate Extrusion Flange.

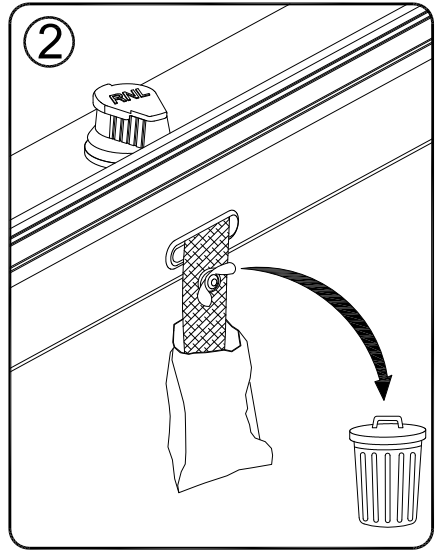
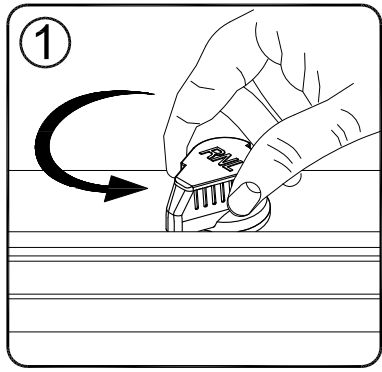
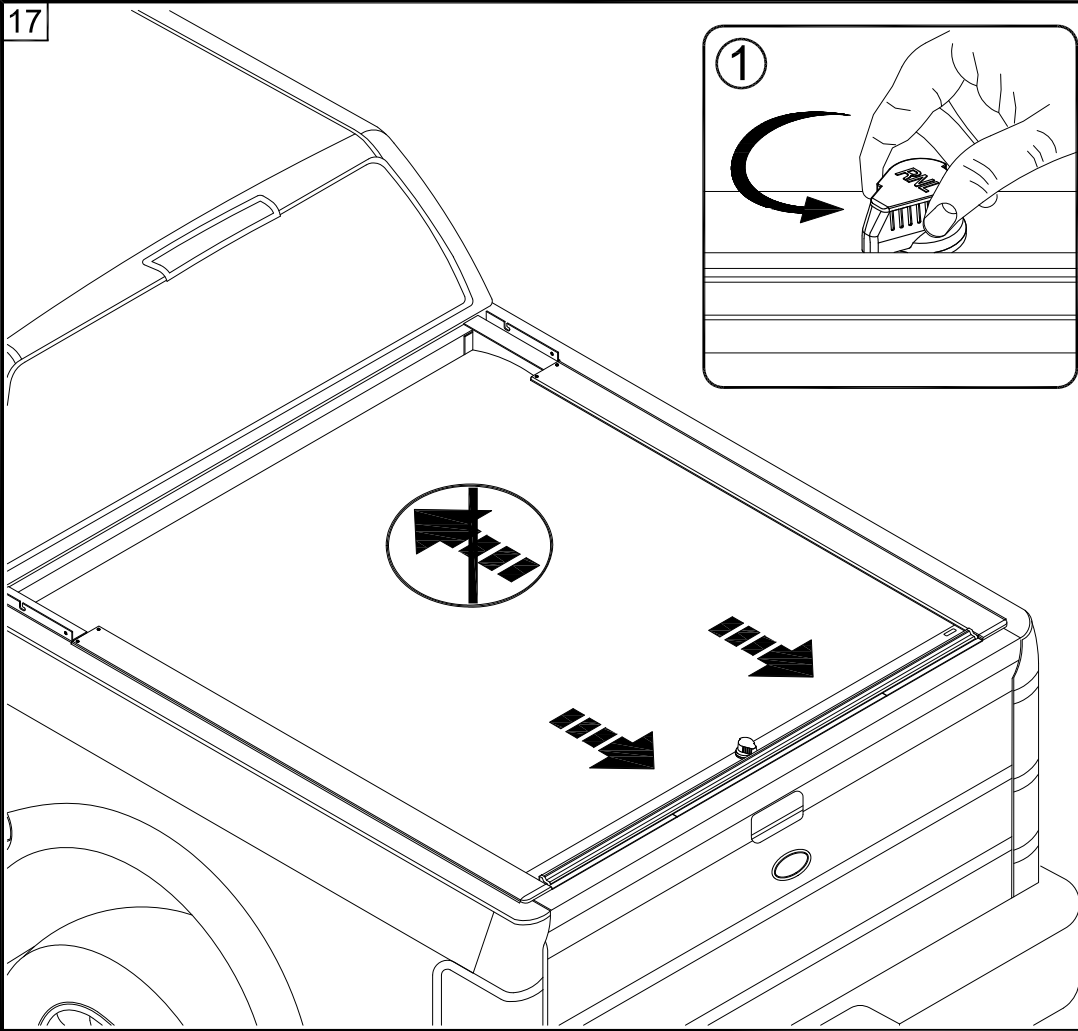
15



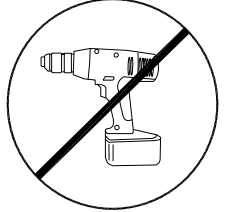
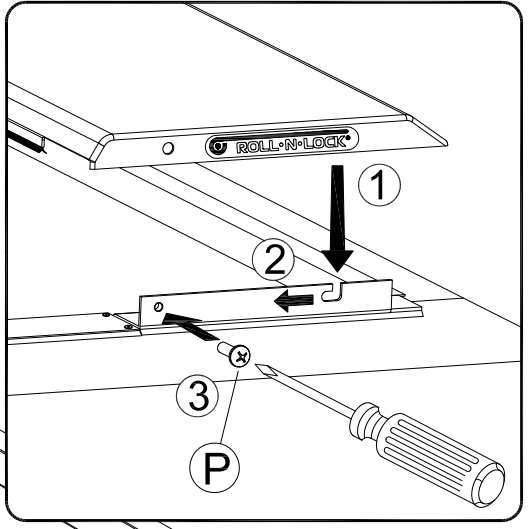
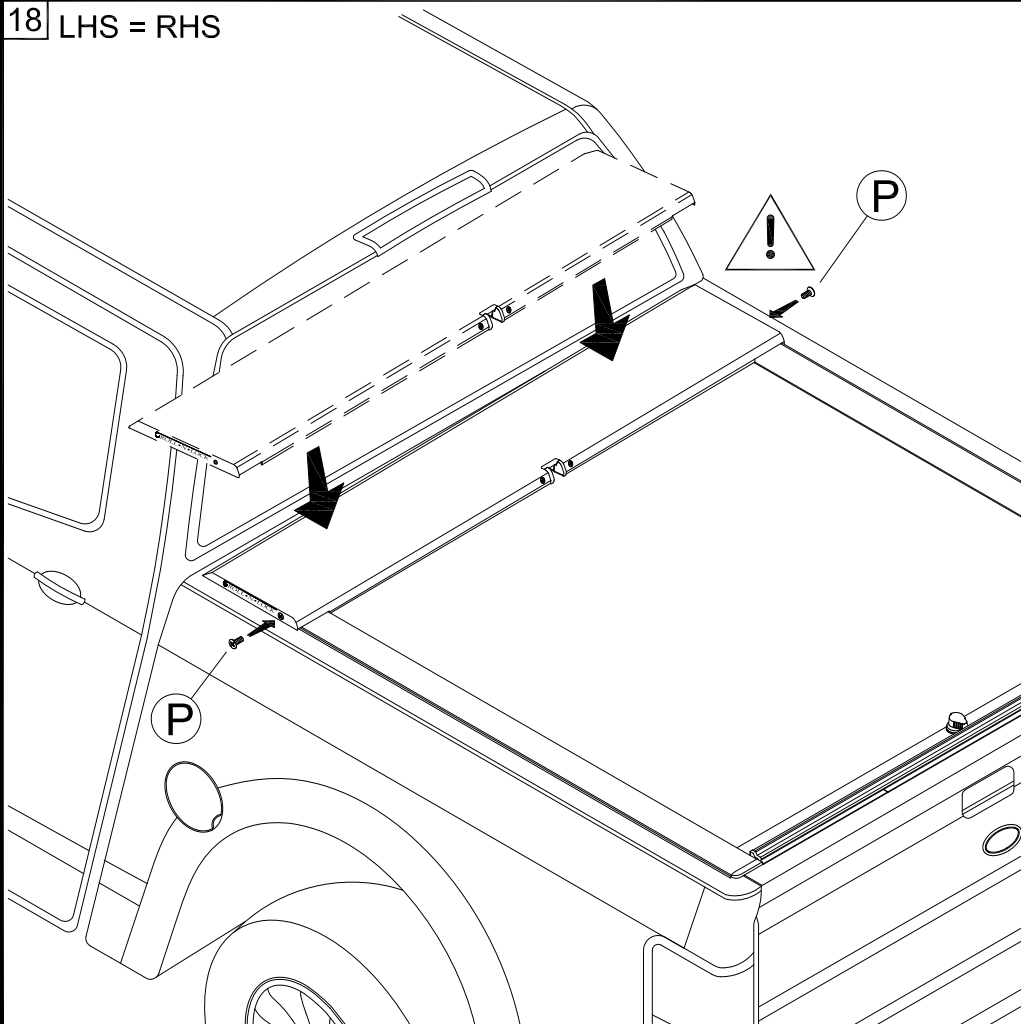
16



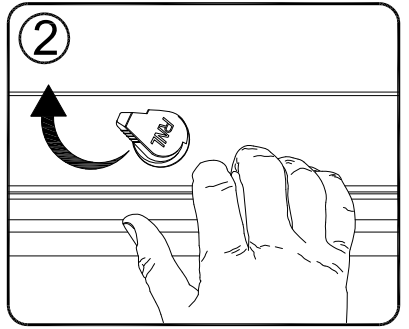
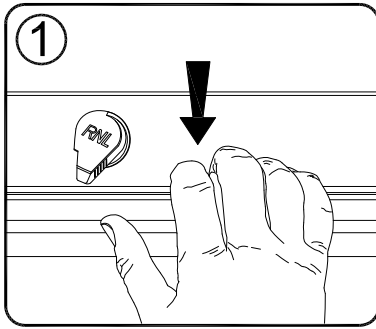
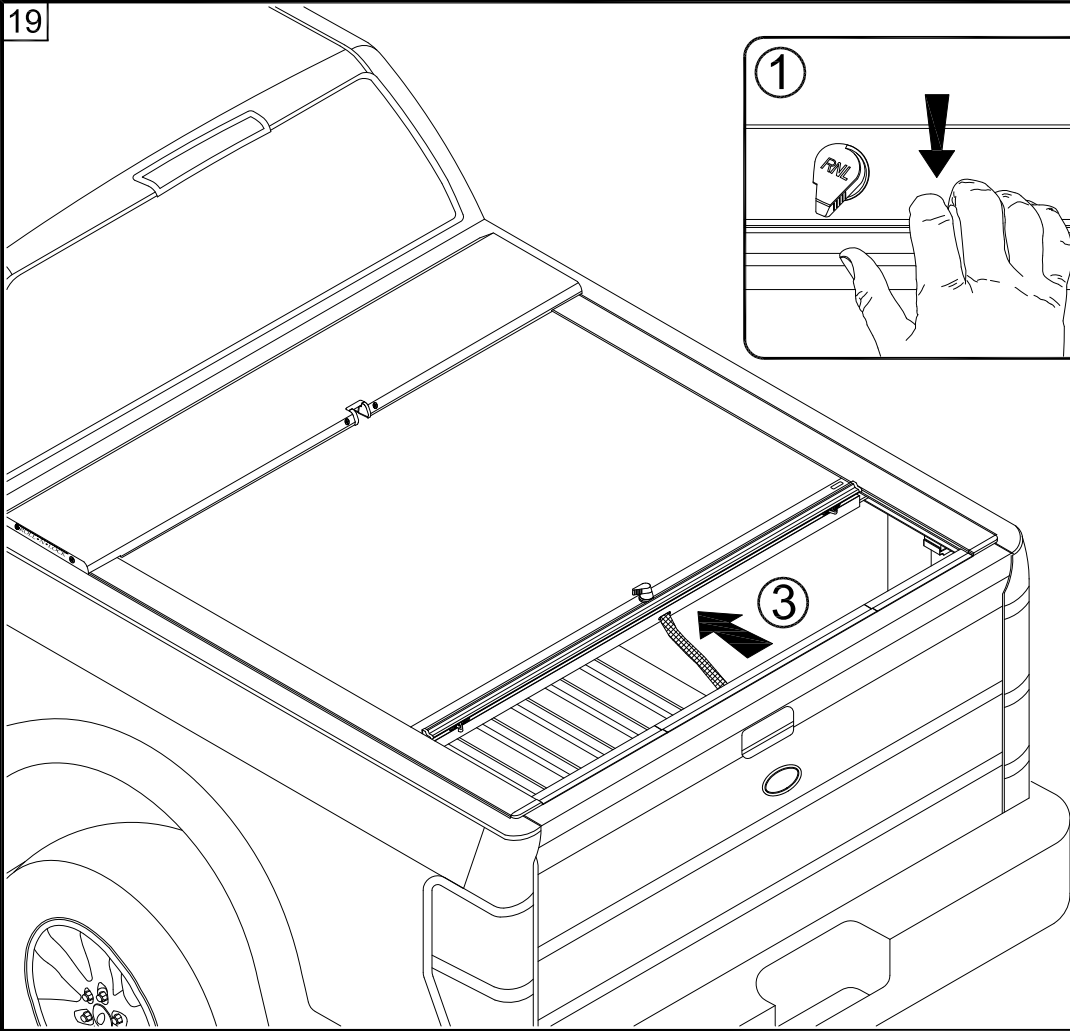
17



18 LHS = RHS

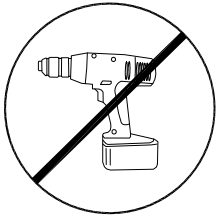
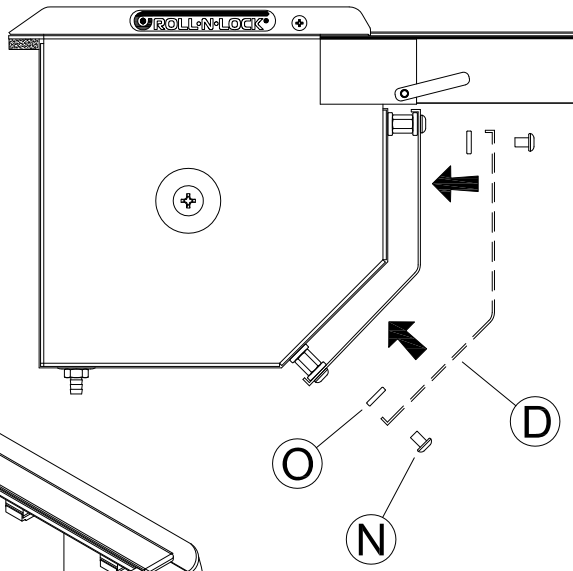
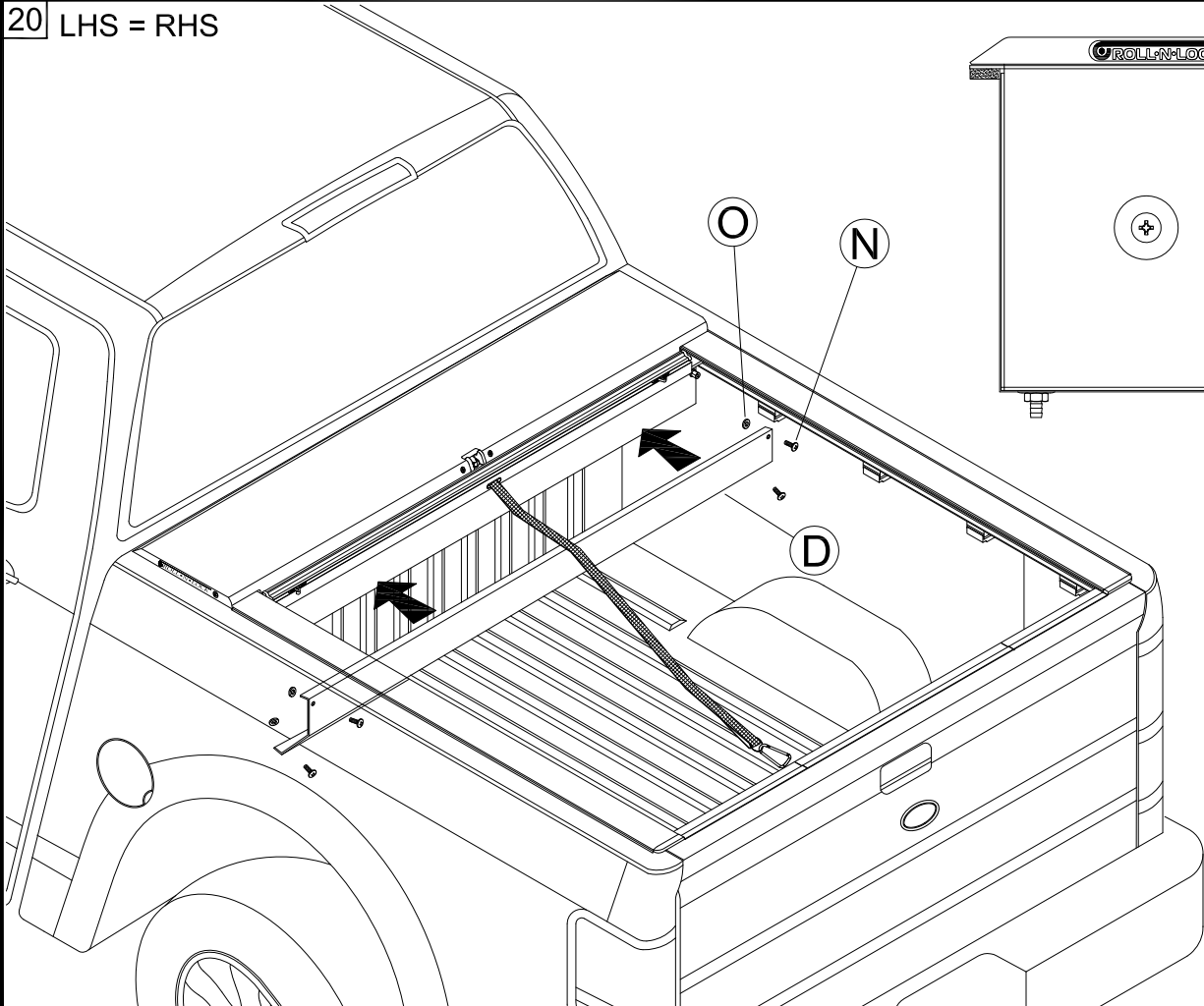


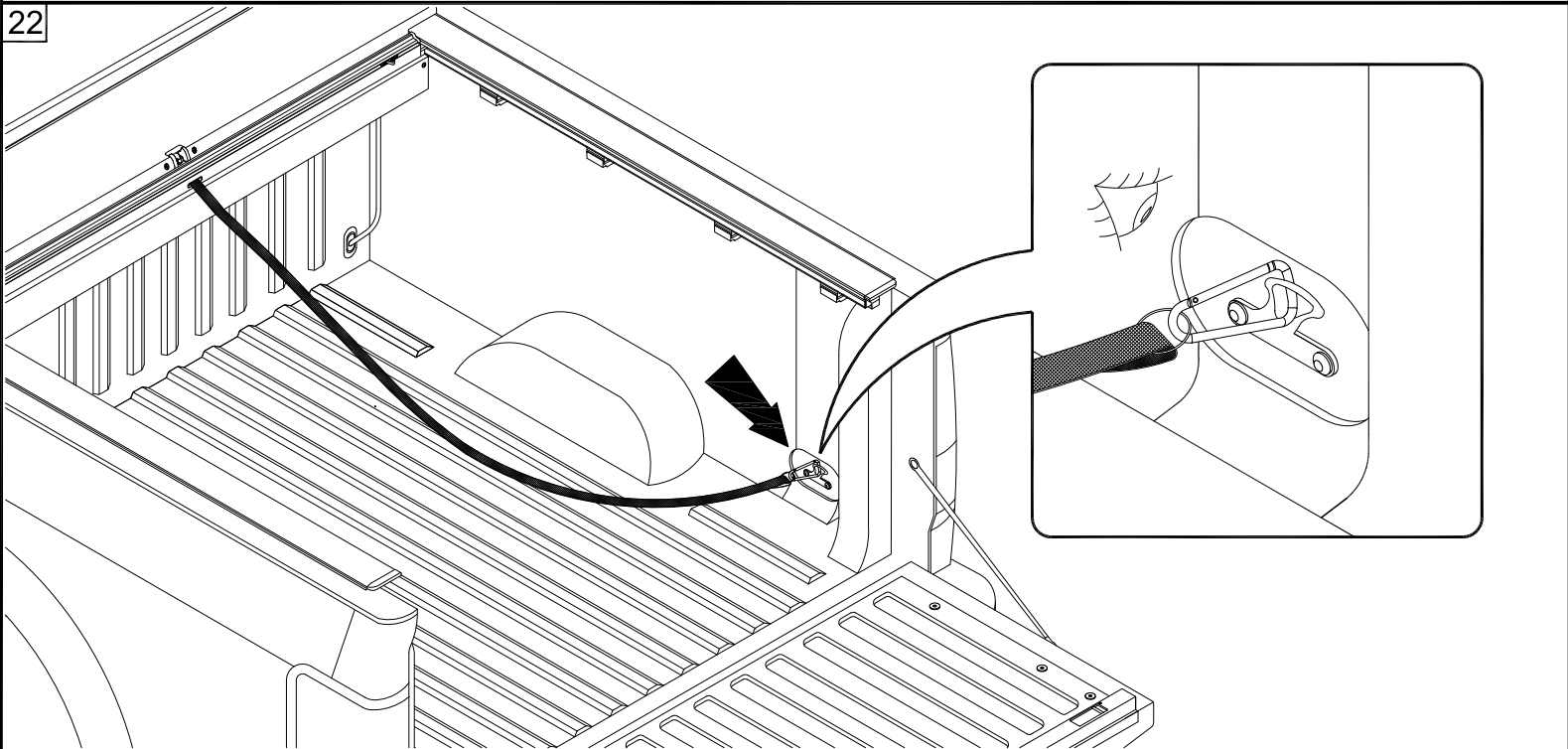
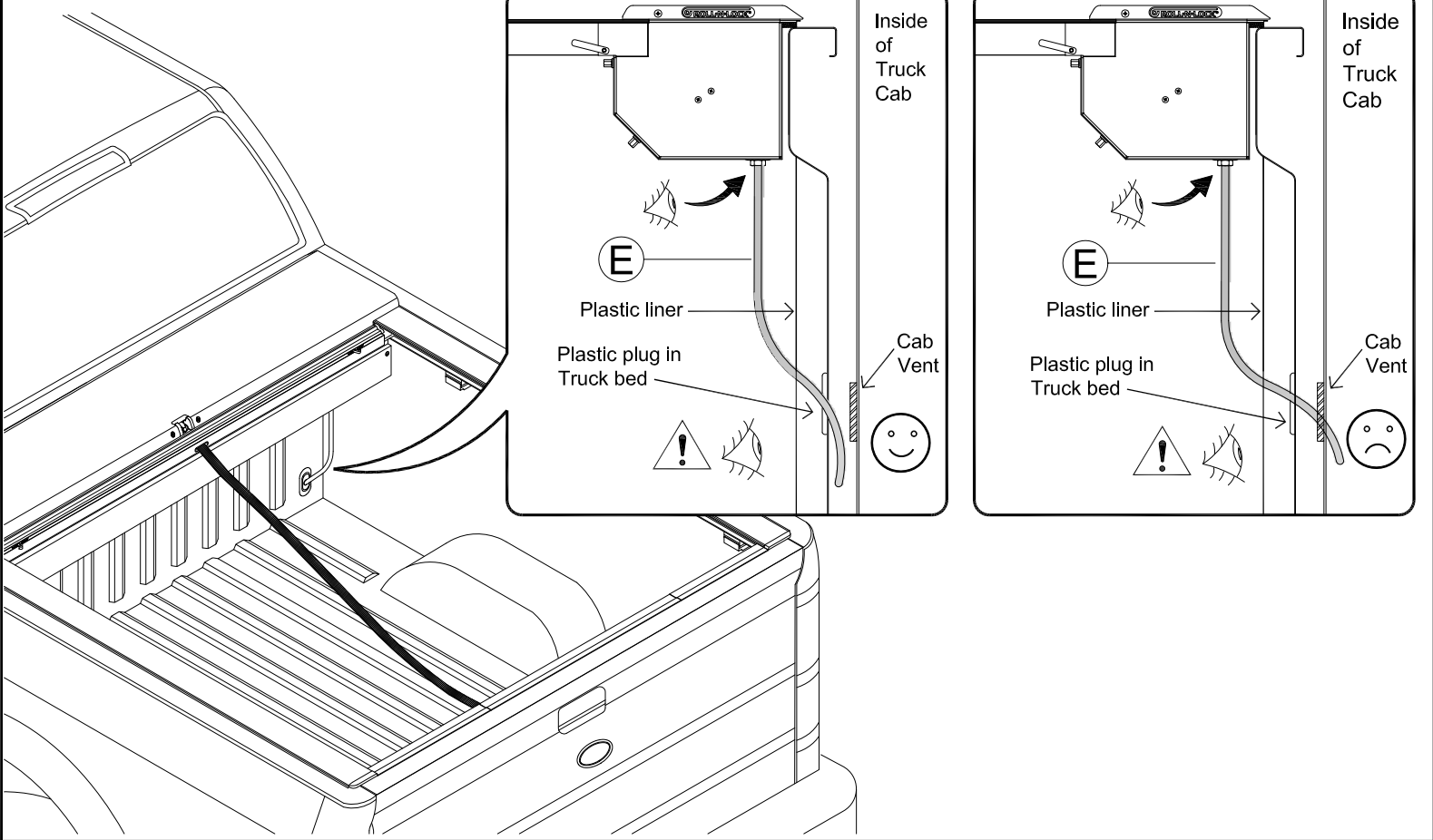
19



3

20 LHS = RHS





Any questions please call Roll•N•Lock
Customer Service at 800-952-7655 or rollnlock.com