

INSTALLATION INSTRUCTIONS

CUSTOMER SERVICE

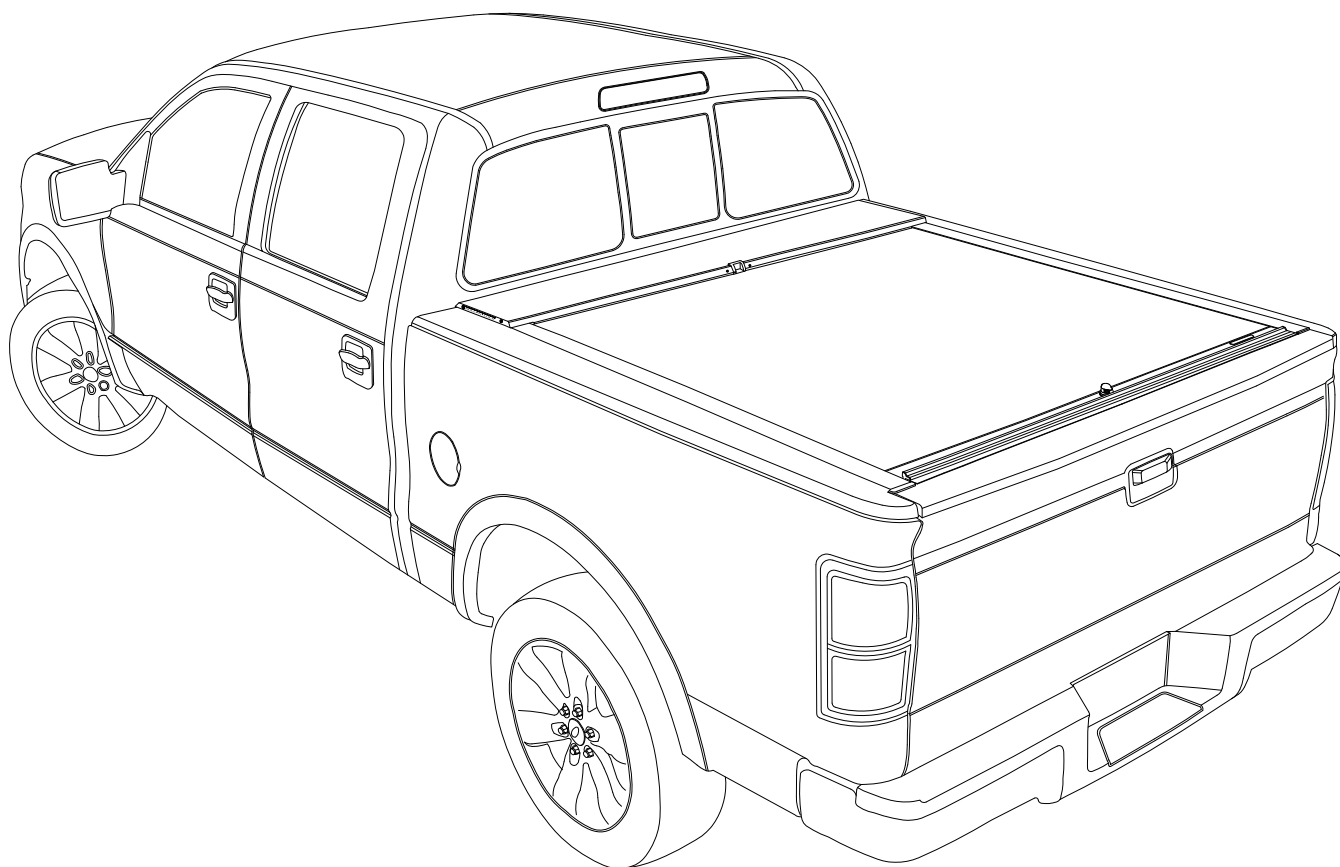
Phone: 800-952-7655 • MON - FRI 8:00 am - 5:00 pm EST

Email: INFO@ROLLNLOCK.COM



Installation Guide

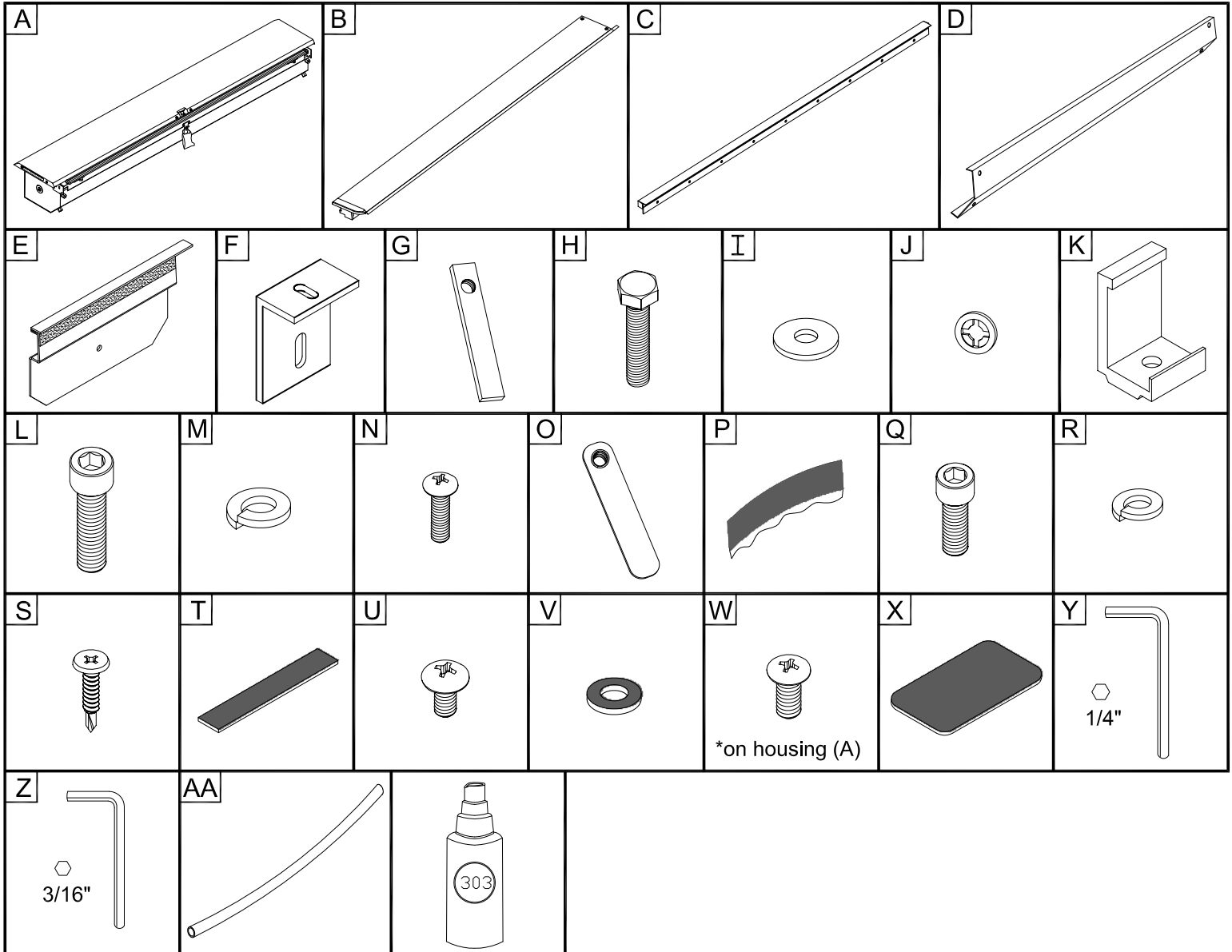
GM Sierra / Silverado



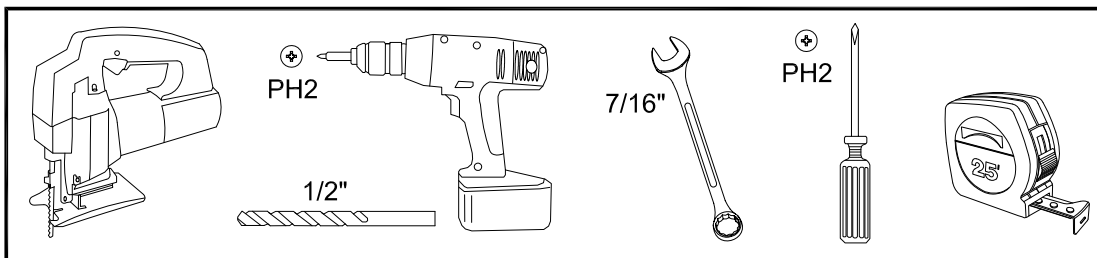
Product Code
207-217-219-271

Parts List

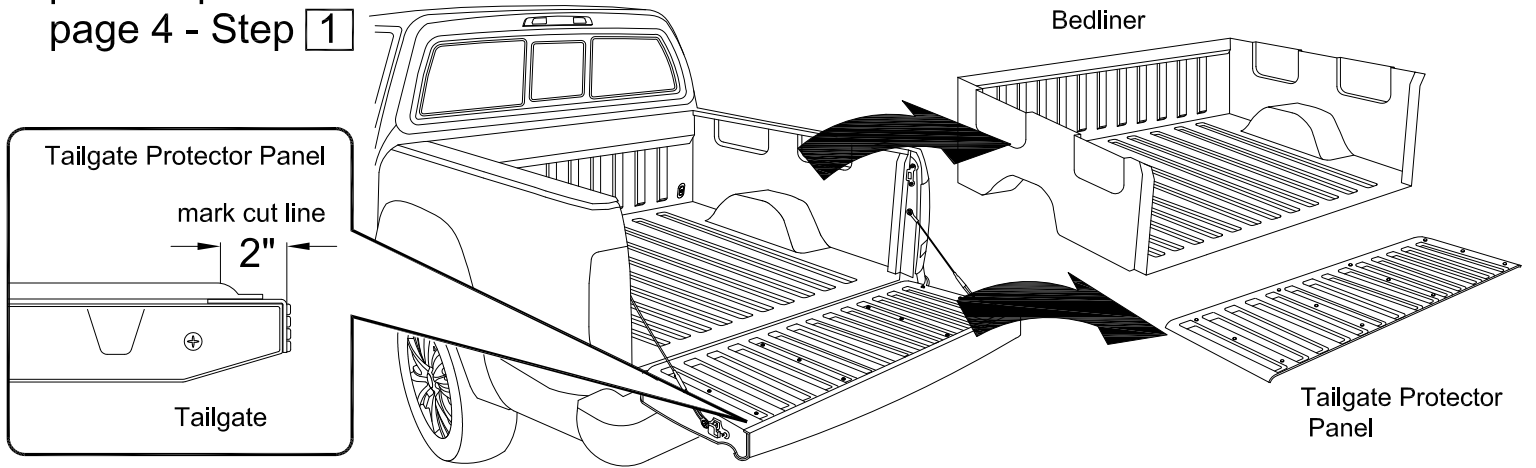
Item	Part Name	Qty.	Item	Part Name	Qty.	Item	Part Name	Qty.
A	Housing	1	J	Nylon Retaining Washer	4	S	#8 x 3/4" Self Tap Screw	7
B	Track	2	K	CB Bed Clamp	4/6	T	Shim	4
C	Tailgate Extrusion	1	L	5/16" Socket Cap Screw	4/6	U	1/4-20 x 3/8" Screw	4
D	Cargo Shield	1	M	5/16" Lock Washer	4/6	V	Black Rubber Washer	4
E	Housing Bracket	2	N	#10-24 Screw	2	W	1/4" Lid Screw	2
F	CB Track Bracket	2	O	Cargo Nut	2	X	Stake Hole Cover	6
G	Threaded Tang	4	P	Butyl Caulk Strip	2	Y	Allen Wrench (1/4")	1
H	1/4-20 x 1" Bolt	4	Q	1/4" Socket Cap Screw	2	Z	Allen Wrench (3/16")	1
I	1/4" Flat Washer	4	R	1/4" Lock Washer	2	AA	Drain Tube	2
							303 Vinyl Protector	1



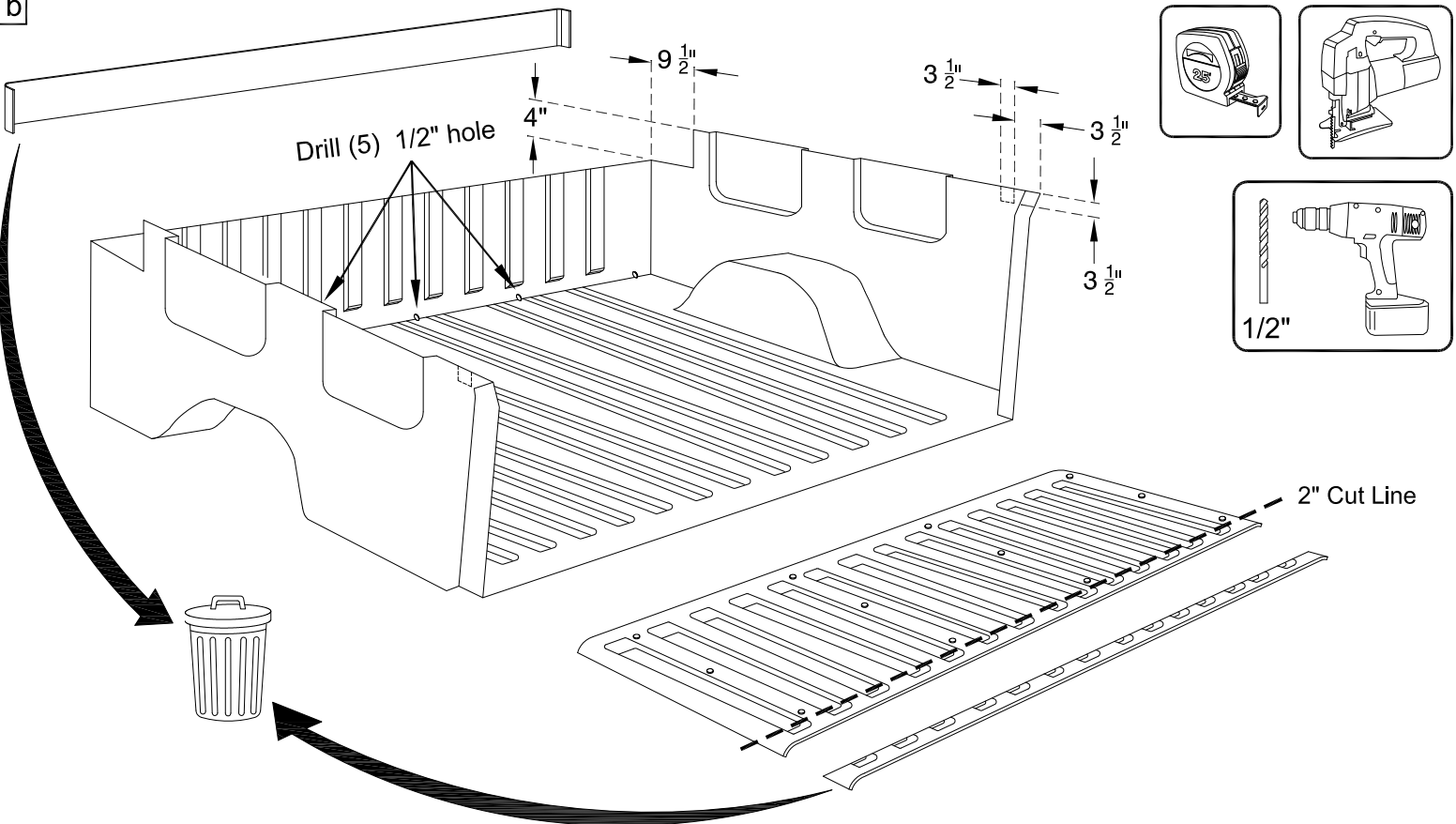
Tools Needed



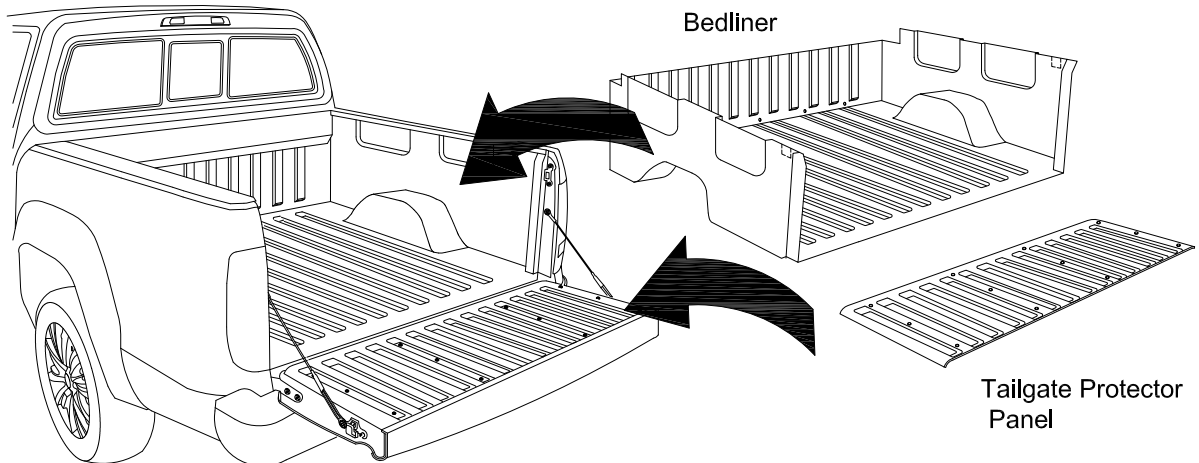
1a If no plastic bedliner present proceed to page 4 - Step 1



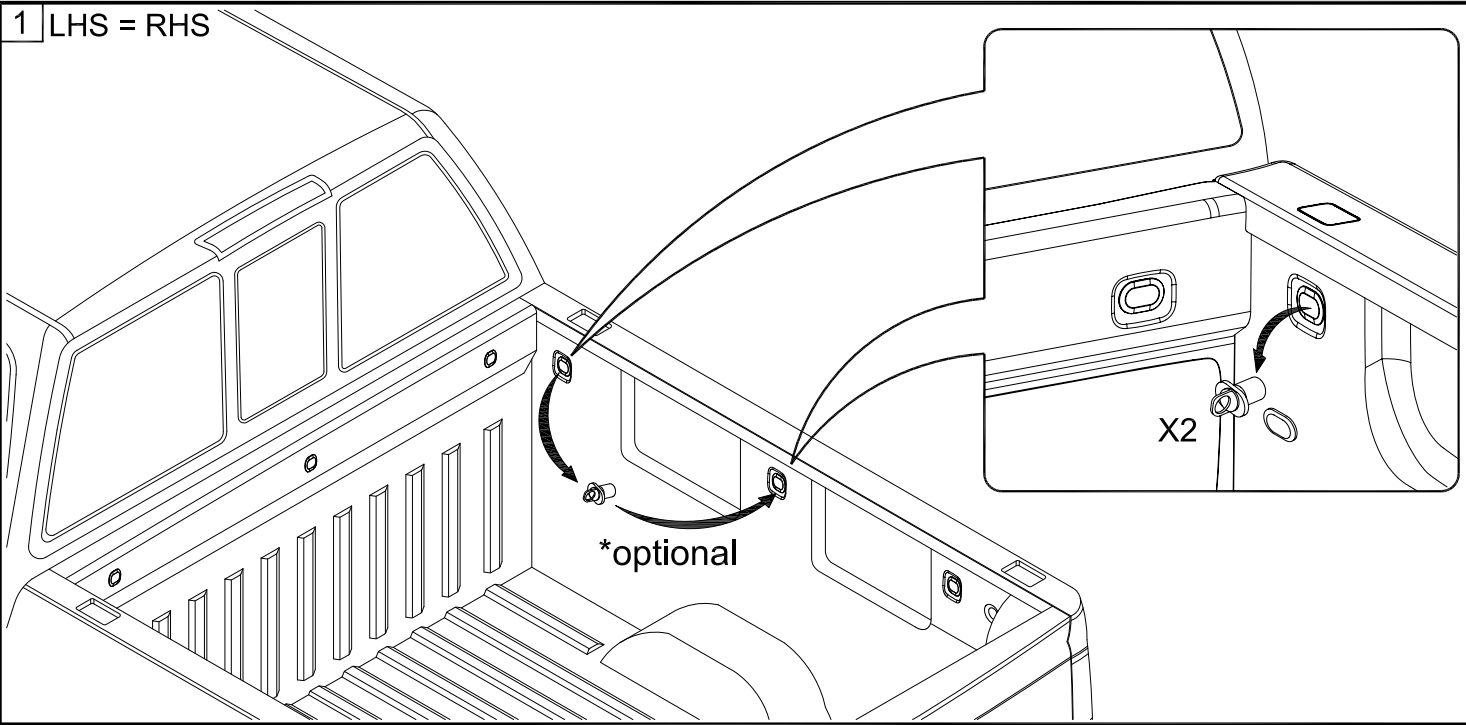
1b



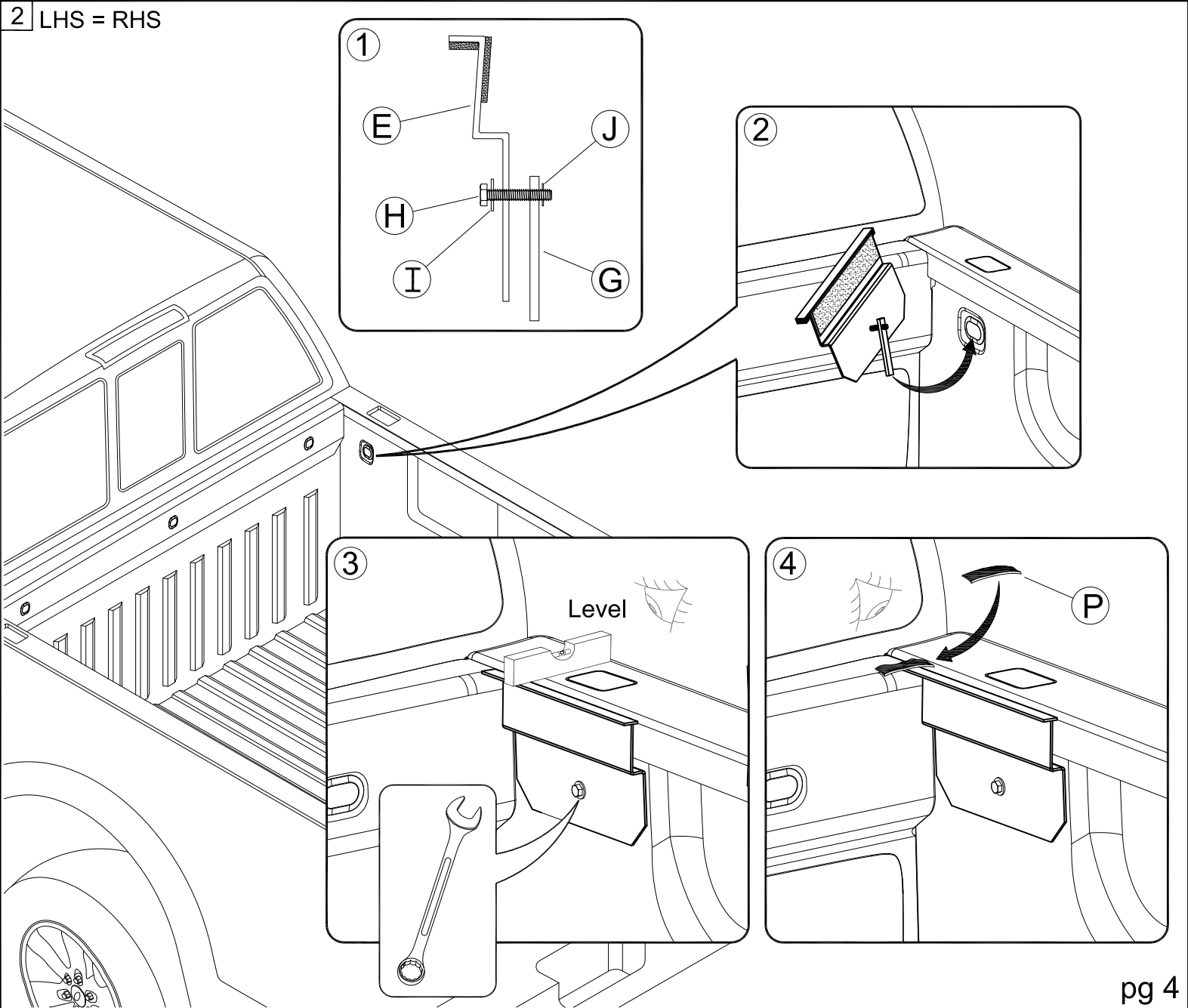
1c



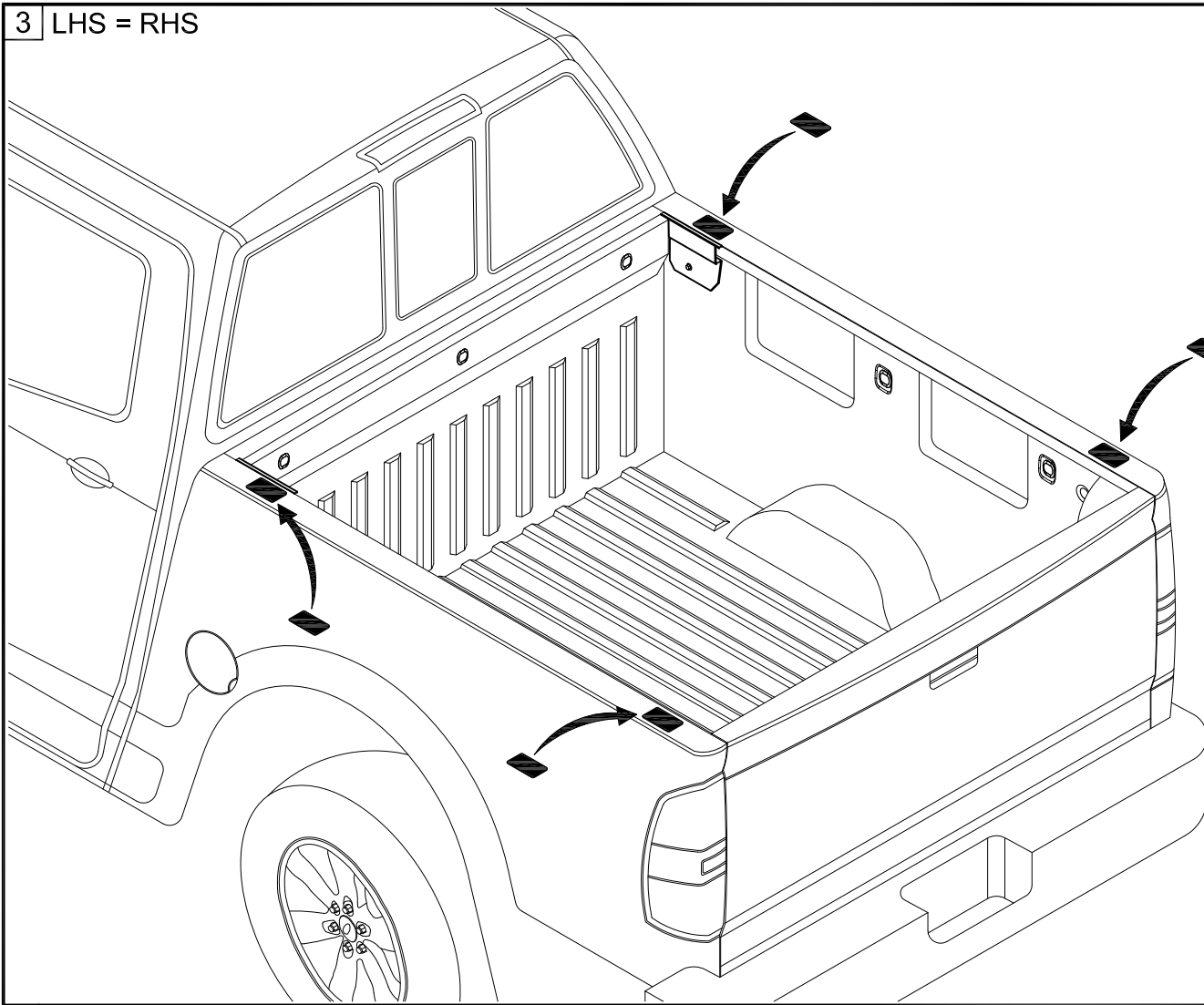
1 LHS = RHS



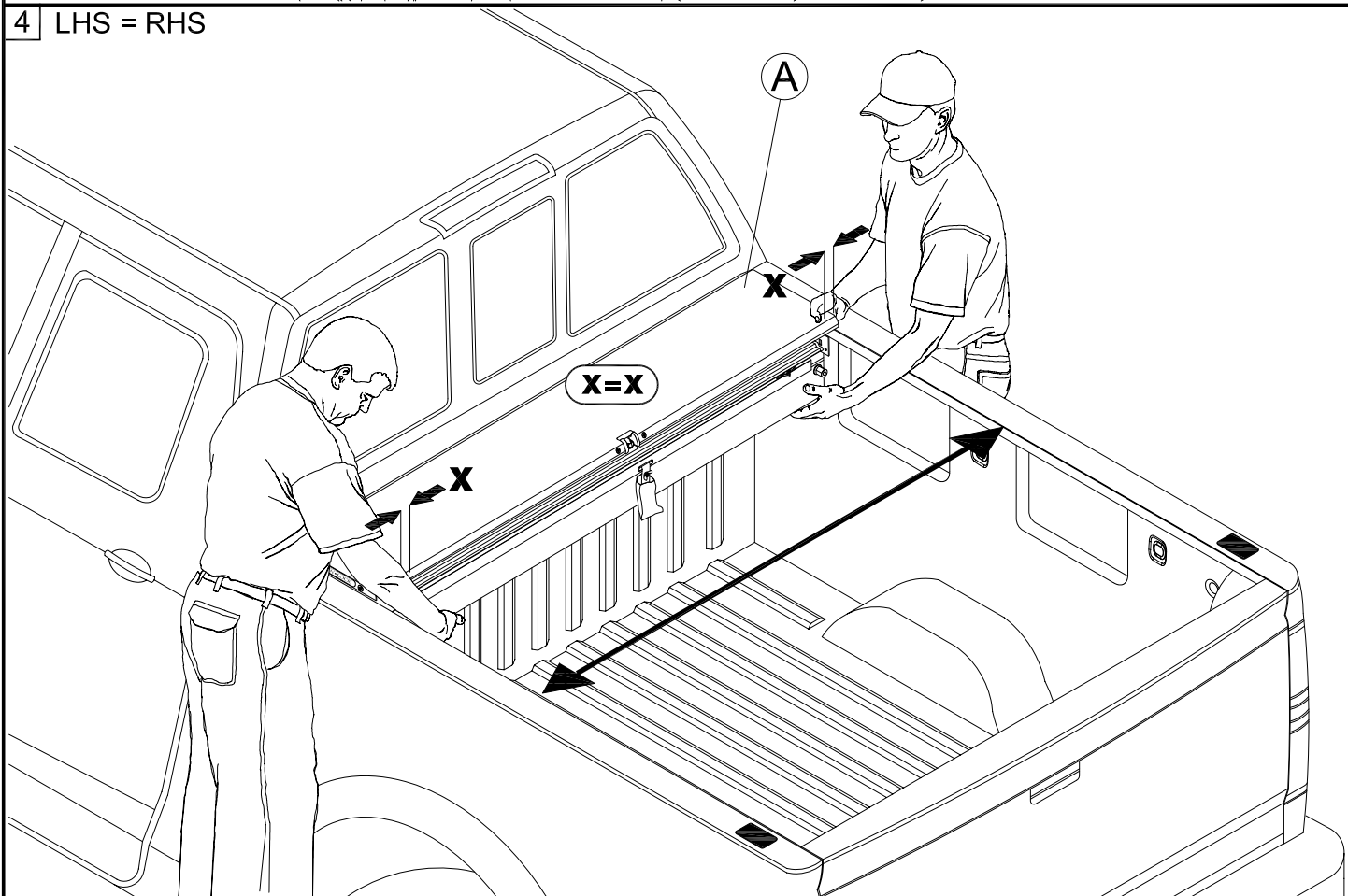
2 LHS = RHS



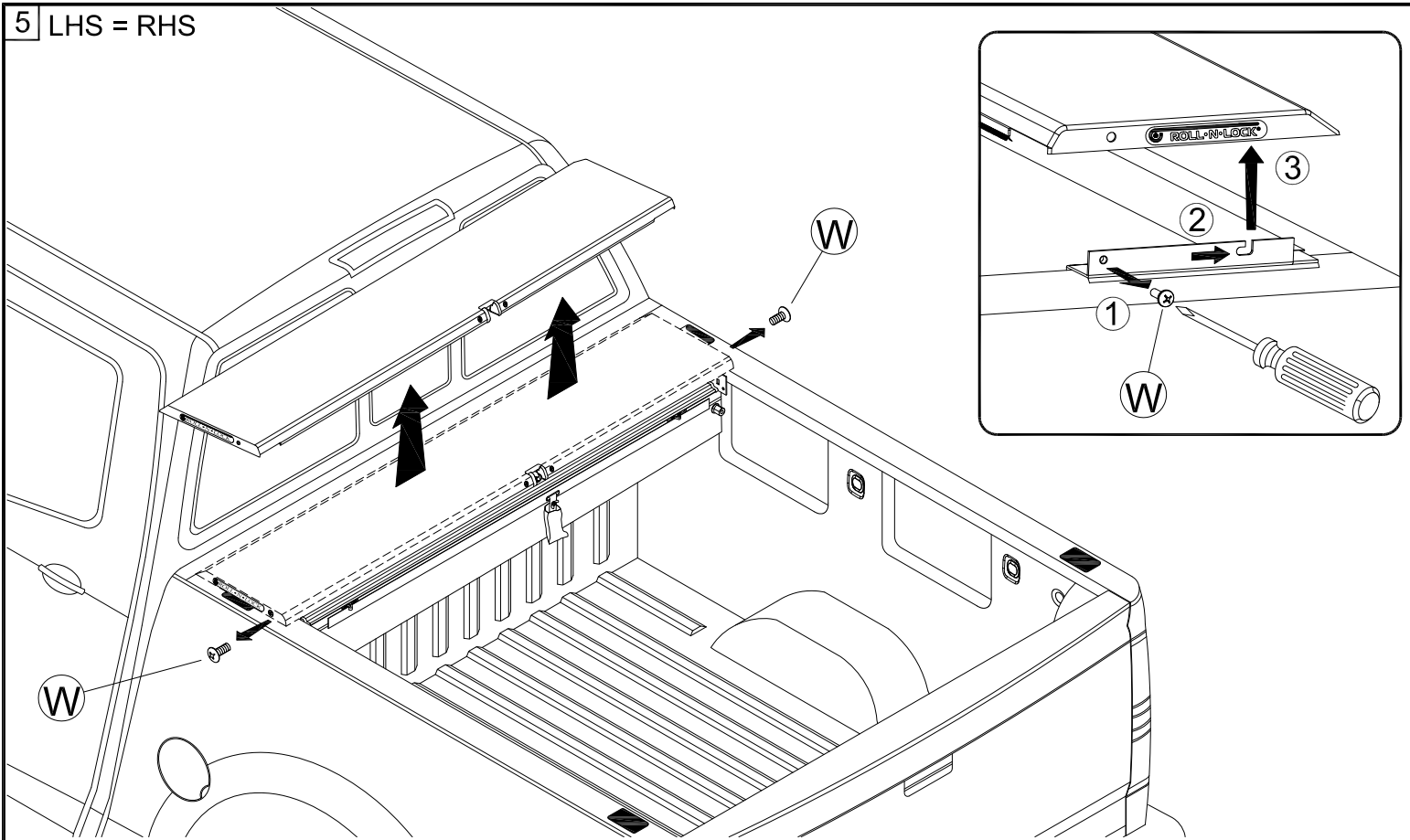
3 LHS = RHS



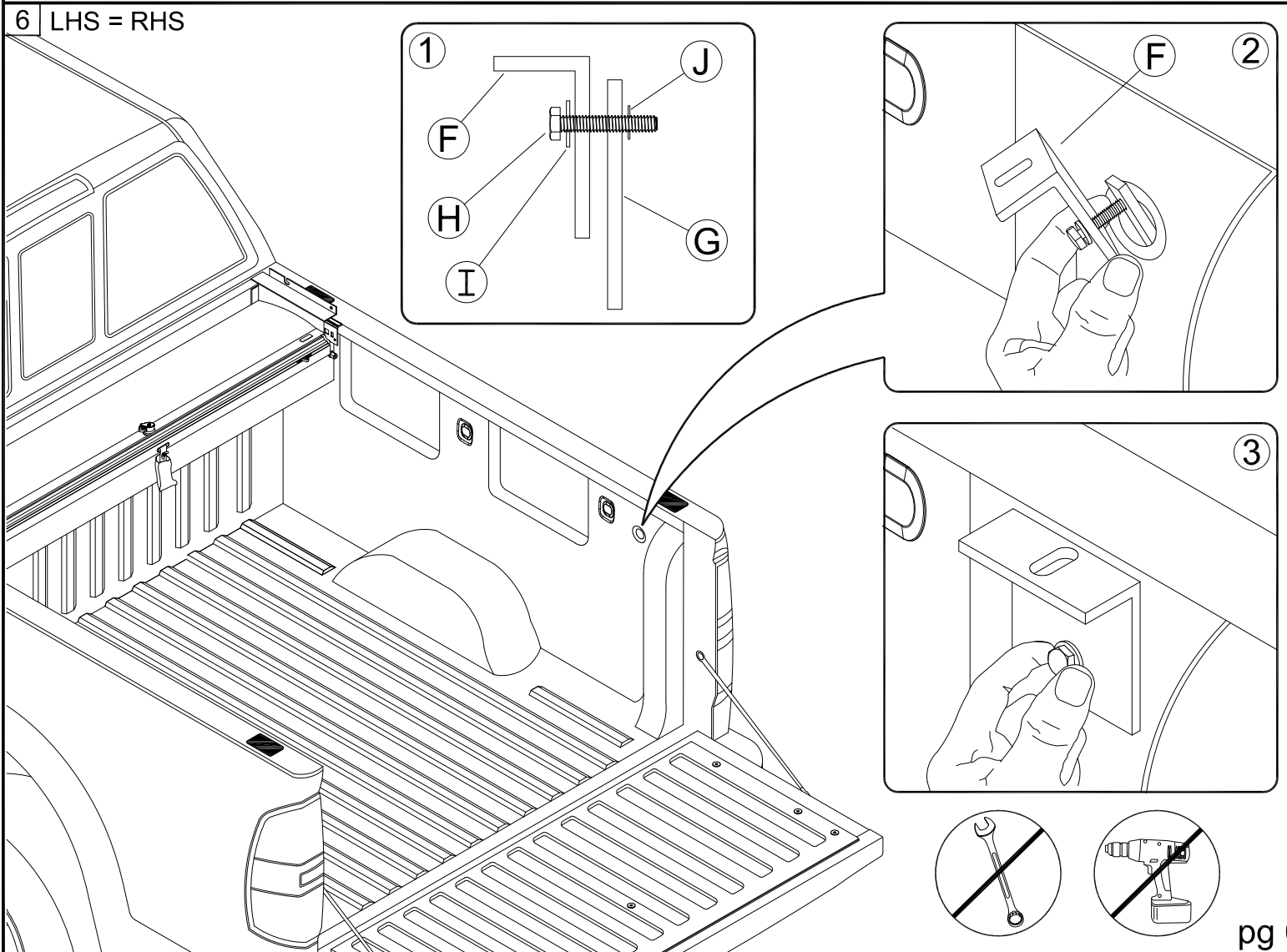
4 LHS = RHS



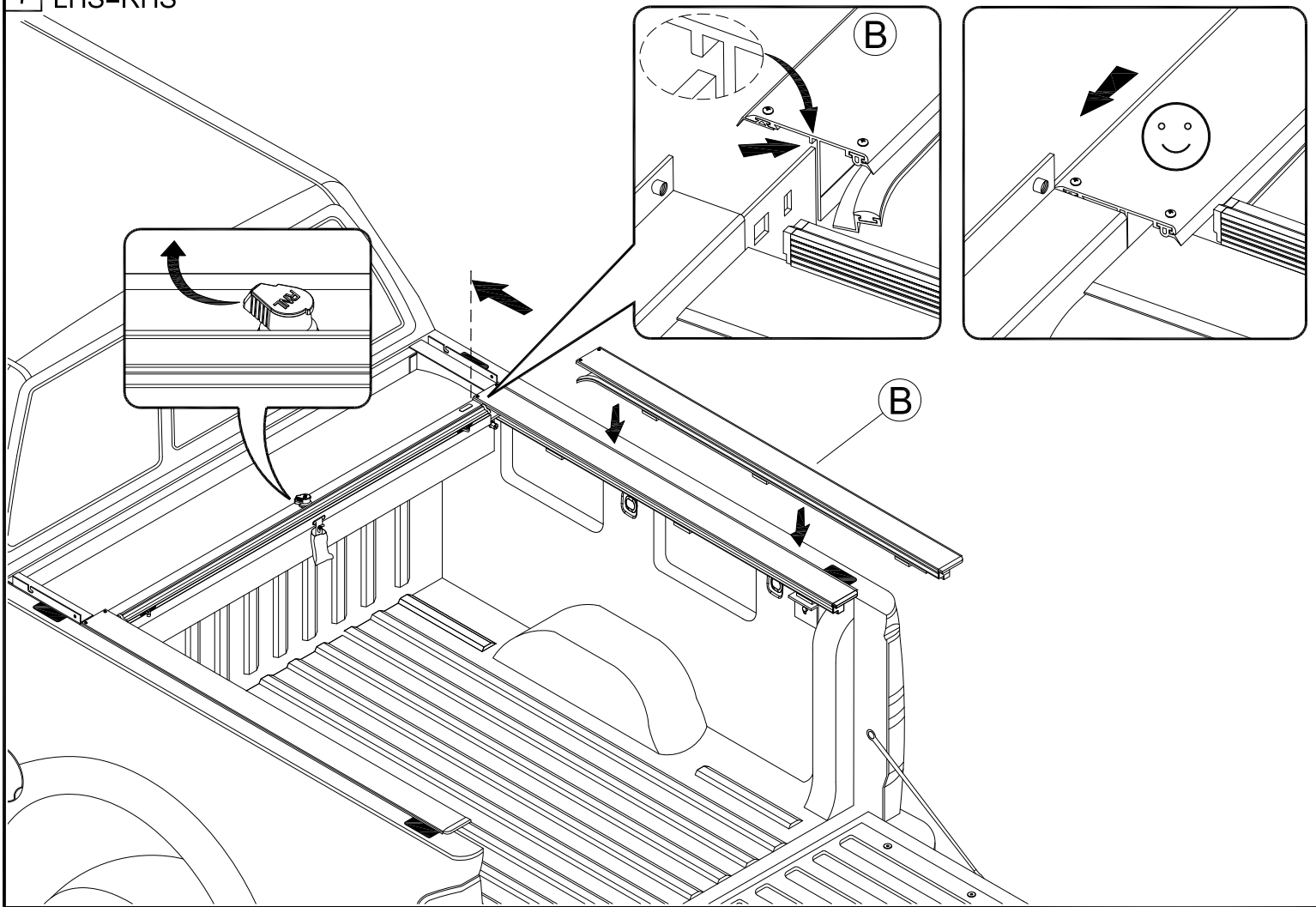
5 LHS = RHS



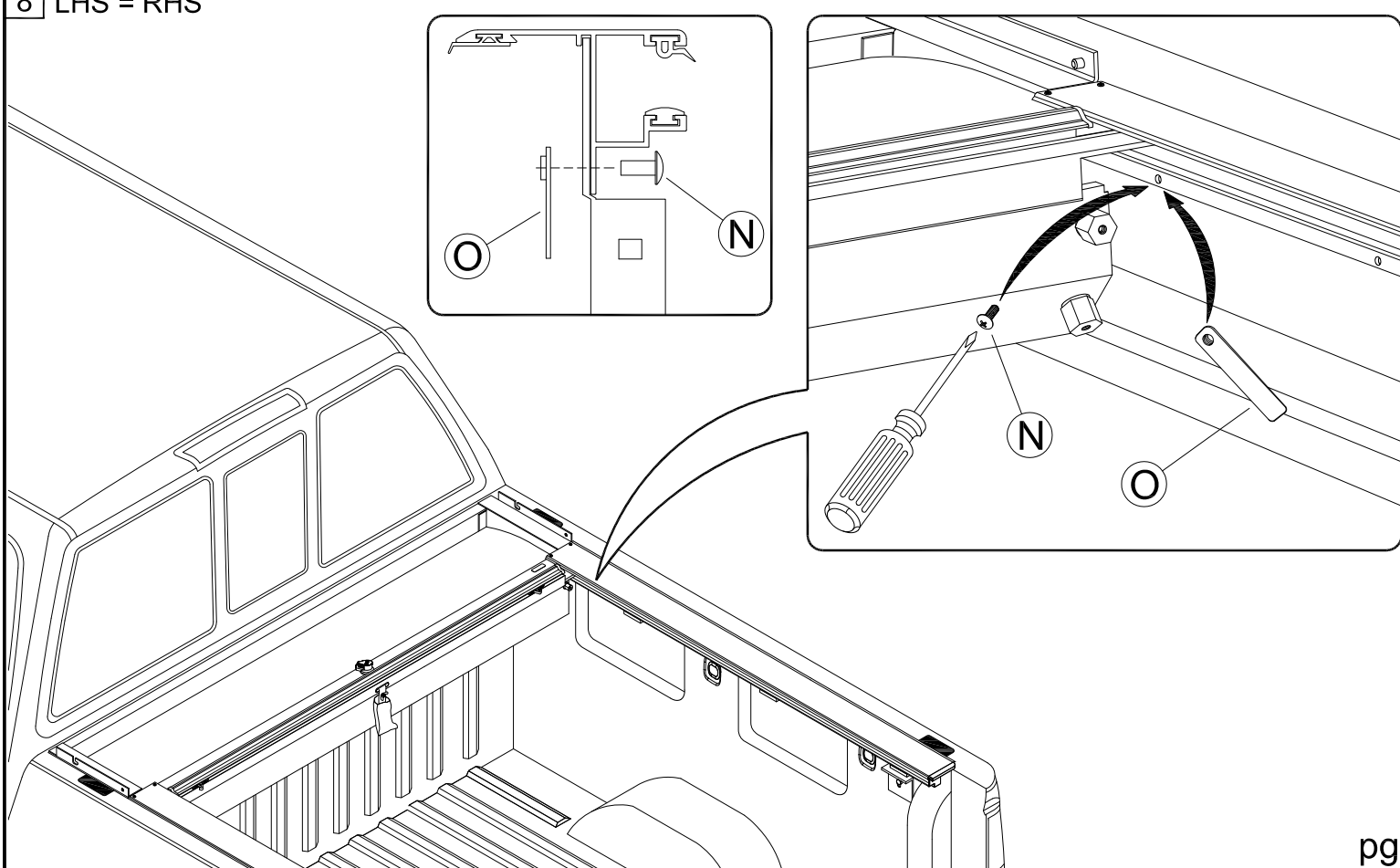
6 LHS = RHS



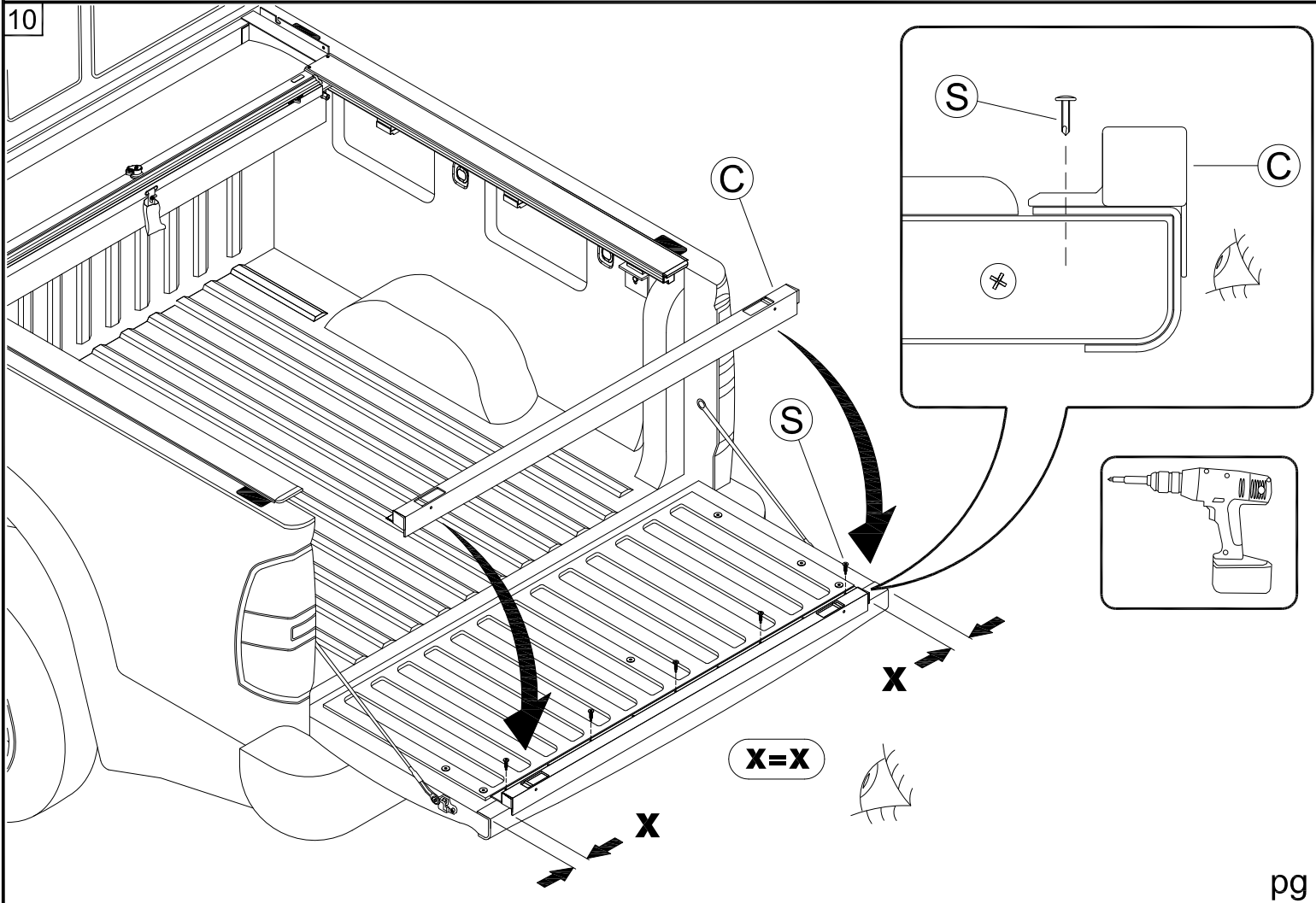
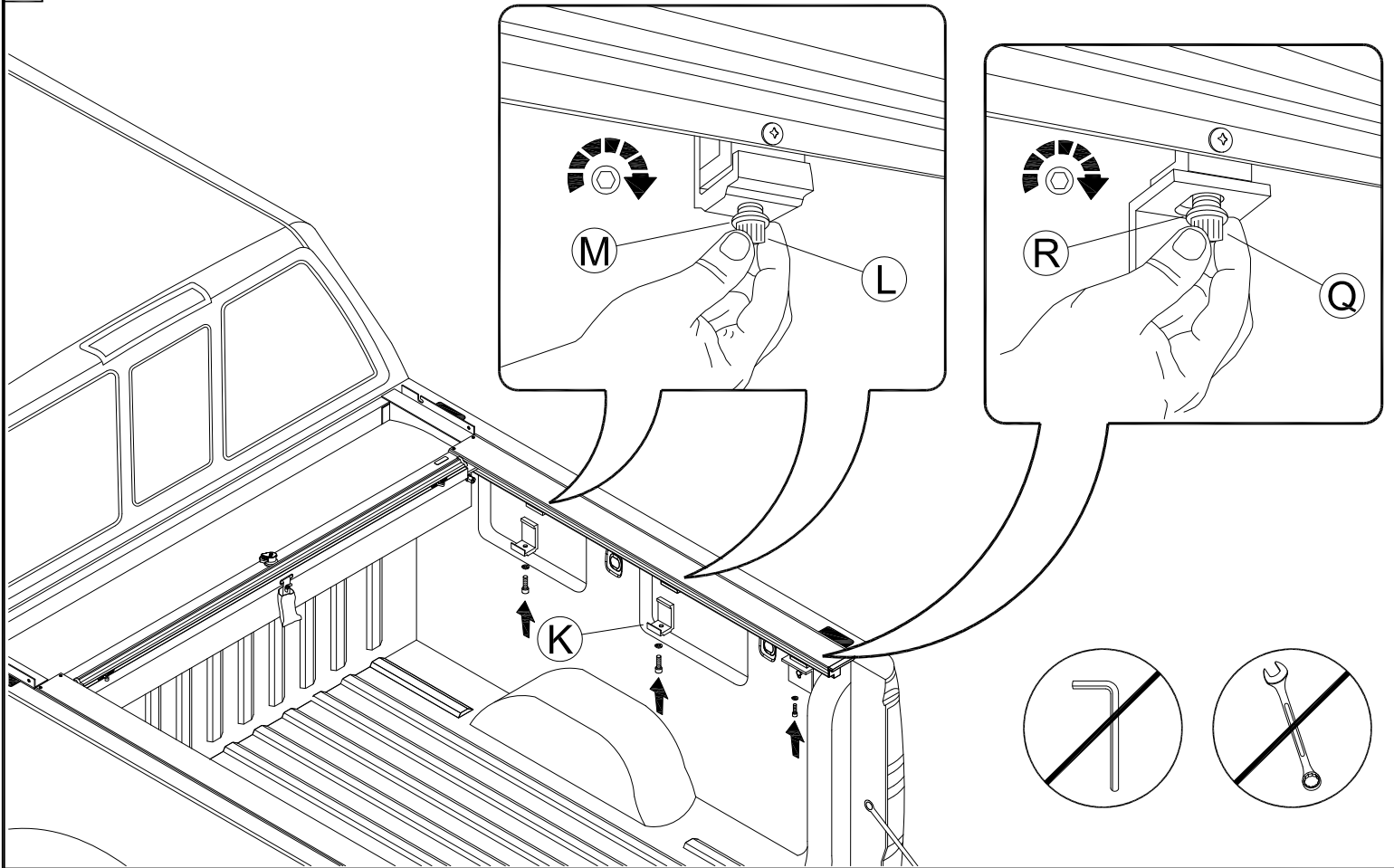
7 LHS=RHS



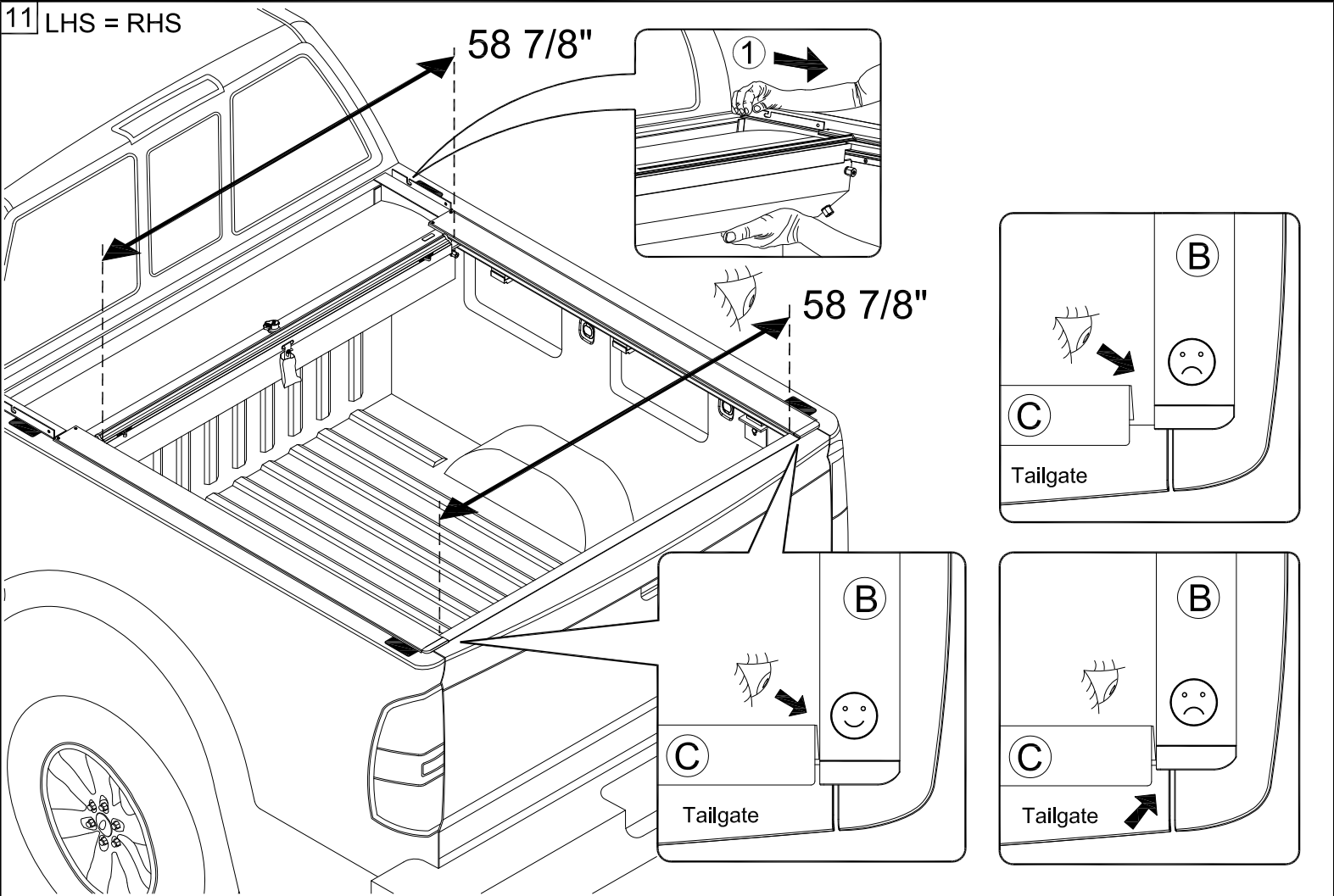
8 LHS = RHS



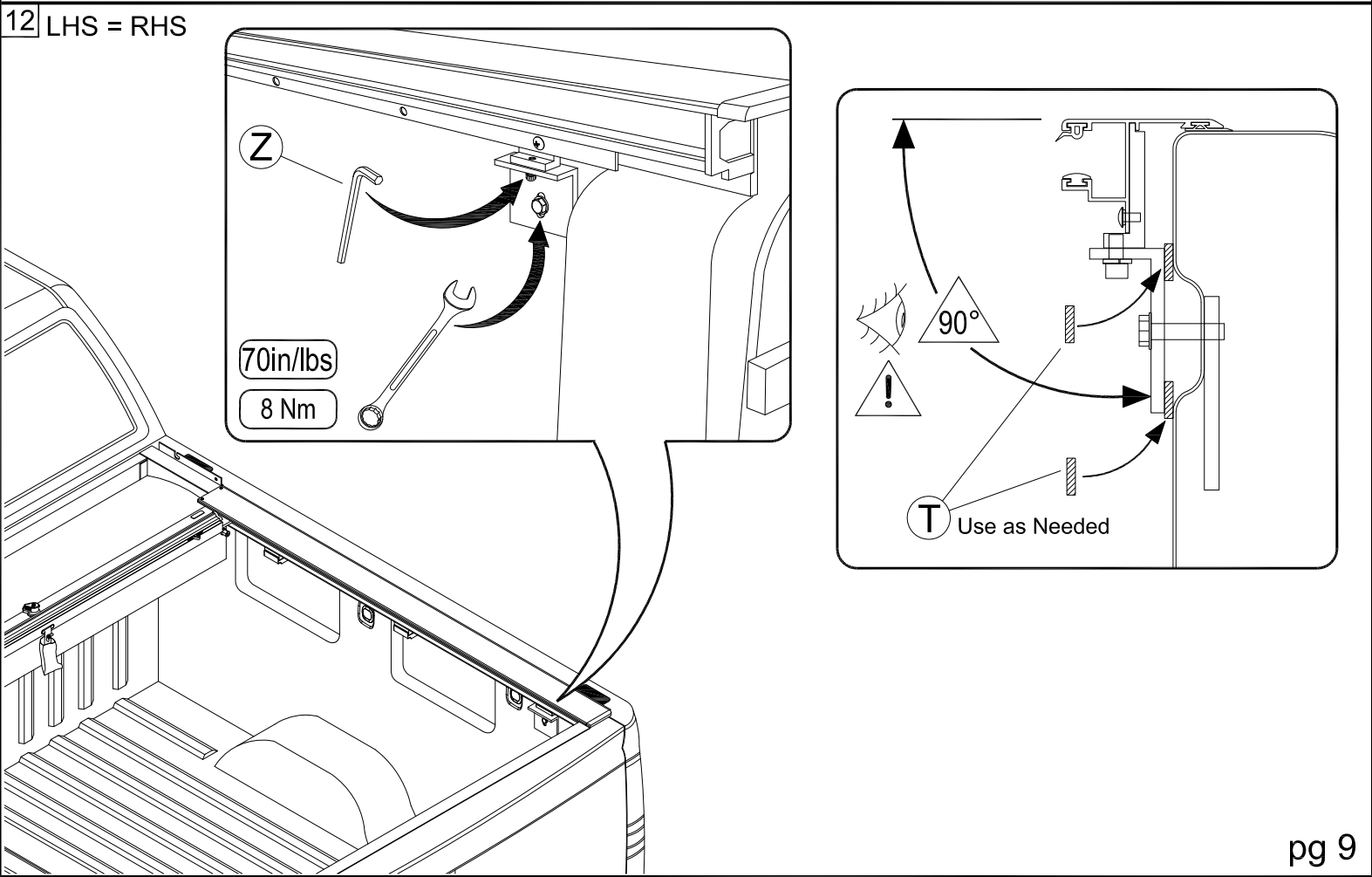
9 LHS = RHS



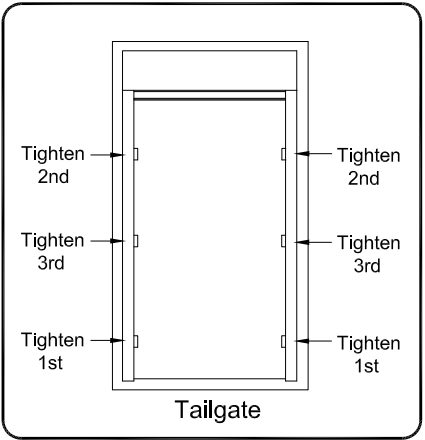
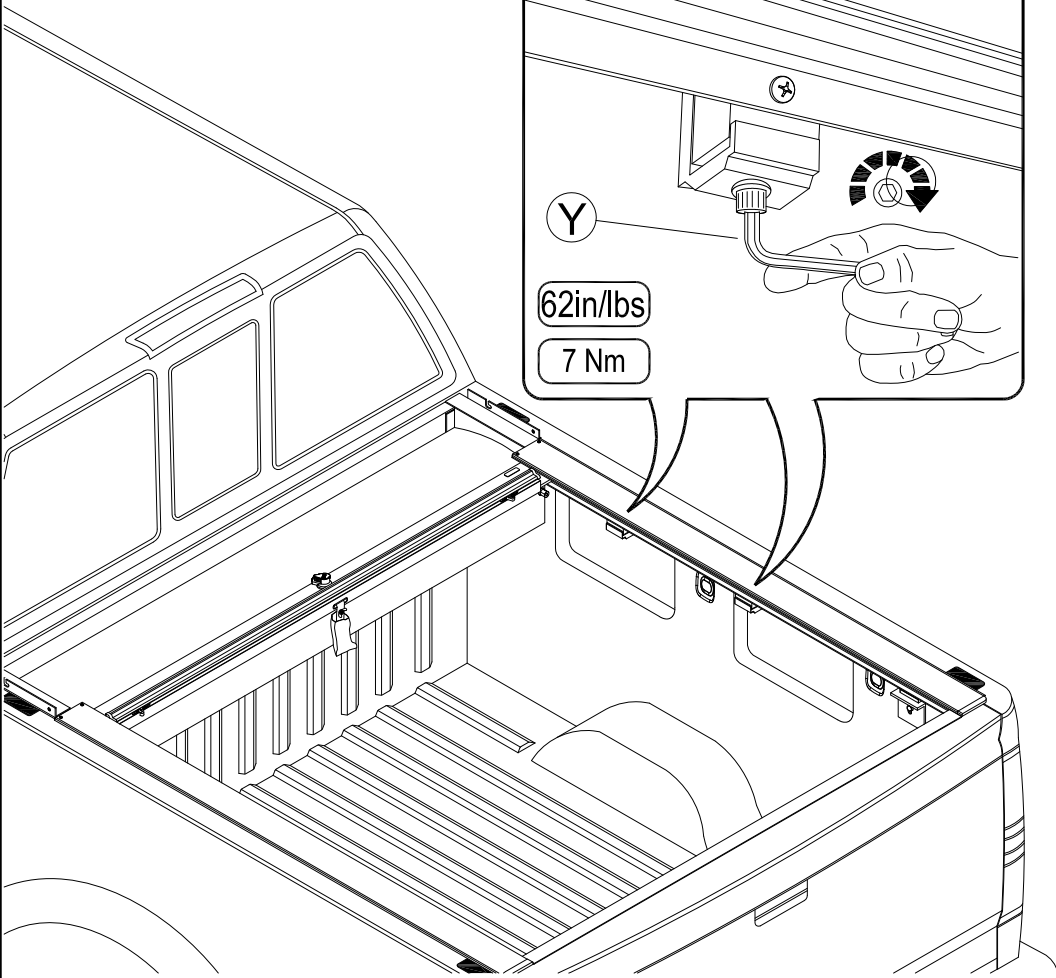
11 LHS = RHS



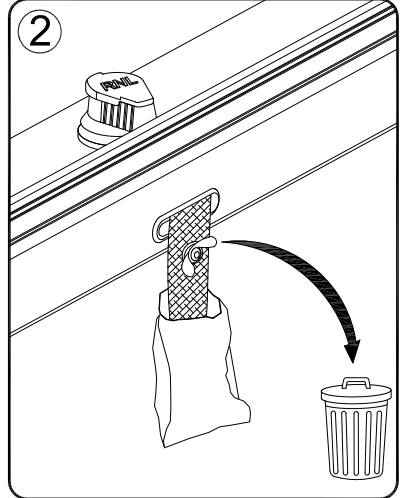
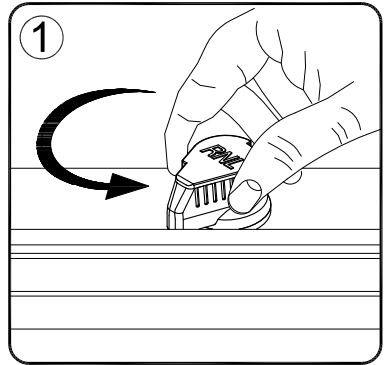
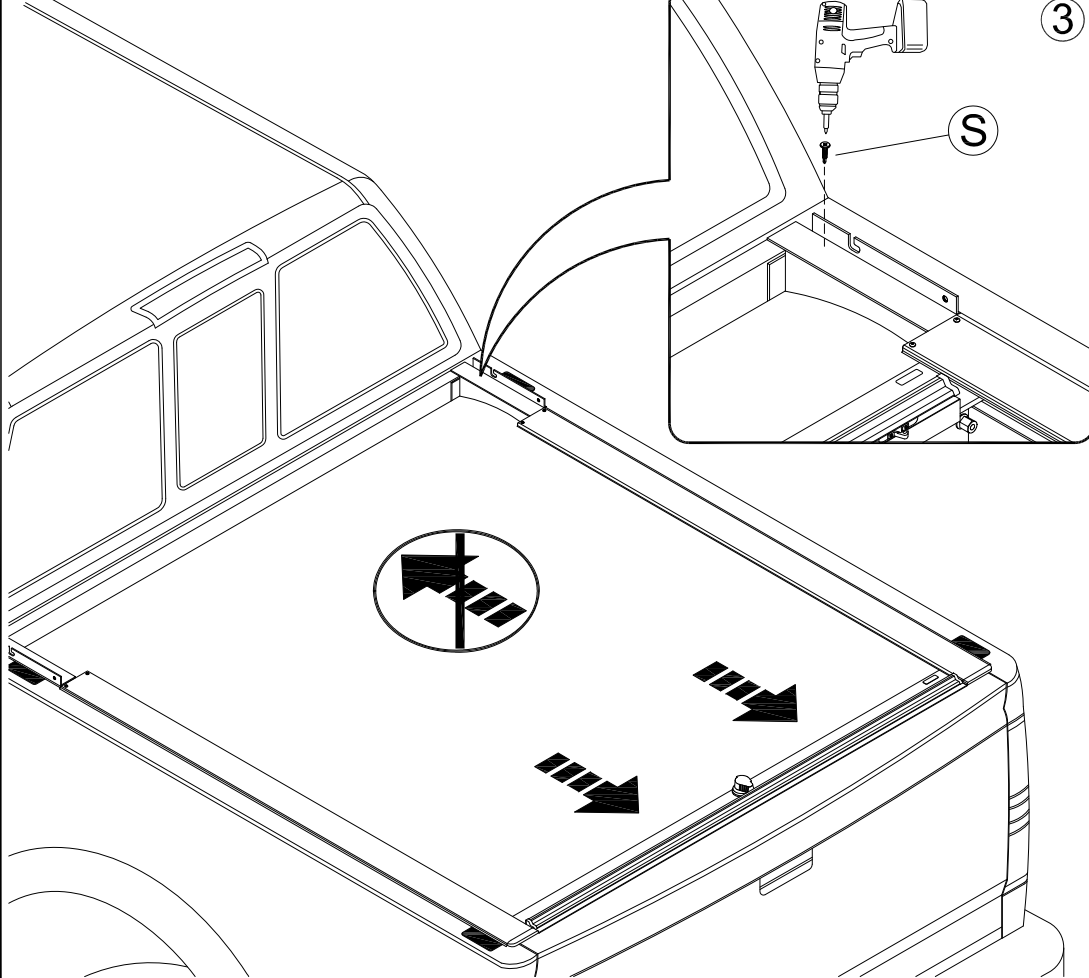
12 LHS = RHS



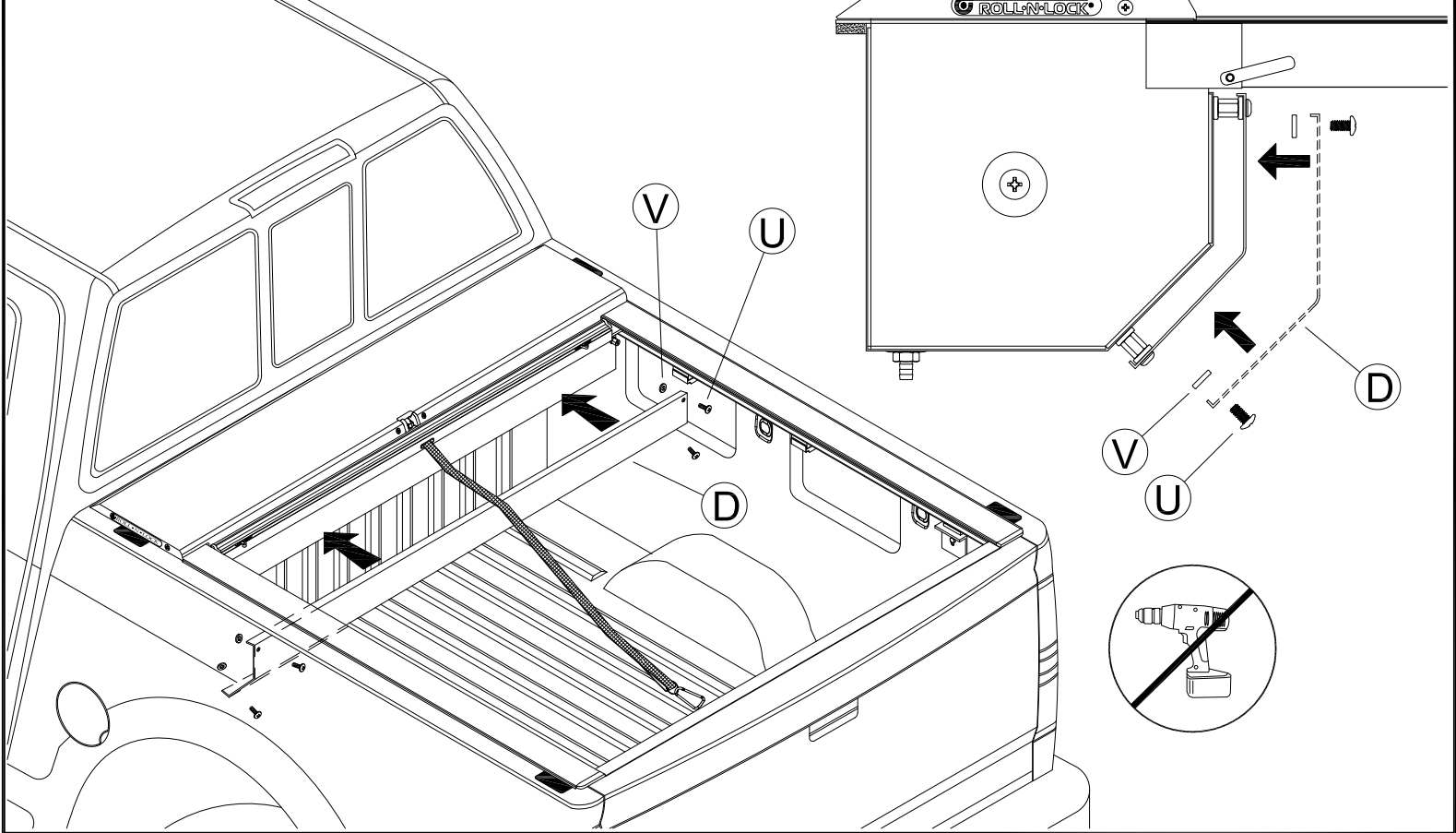
13 LHS = RHS



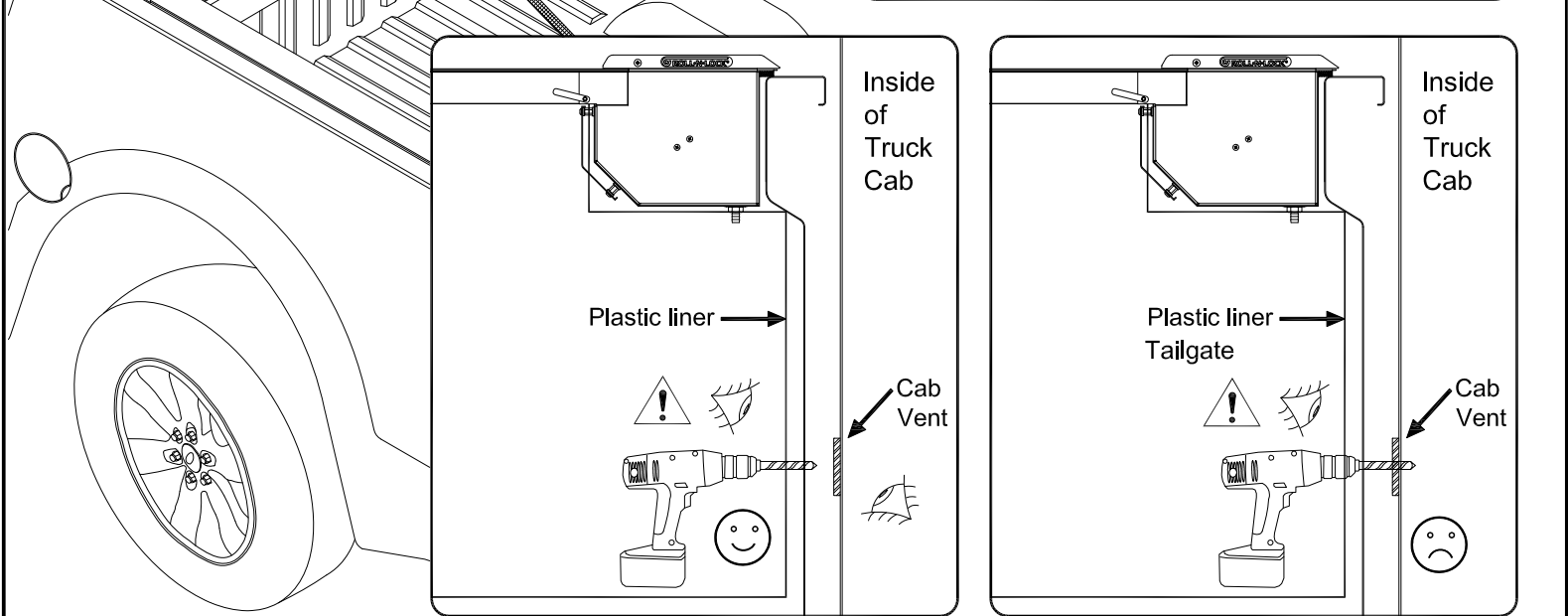
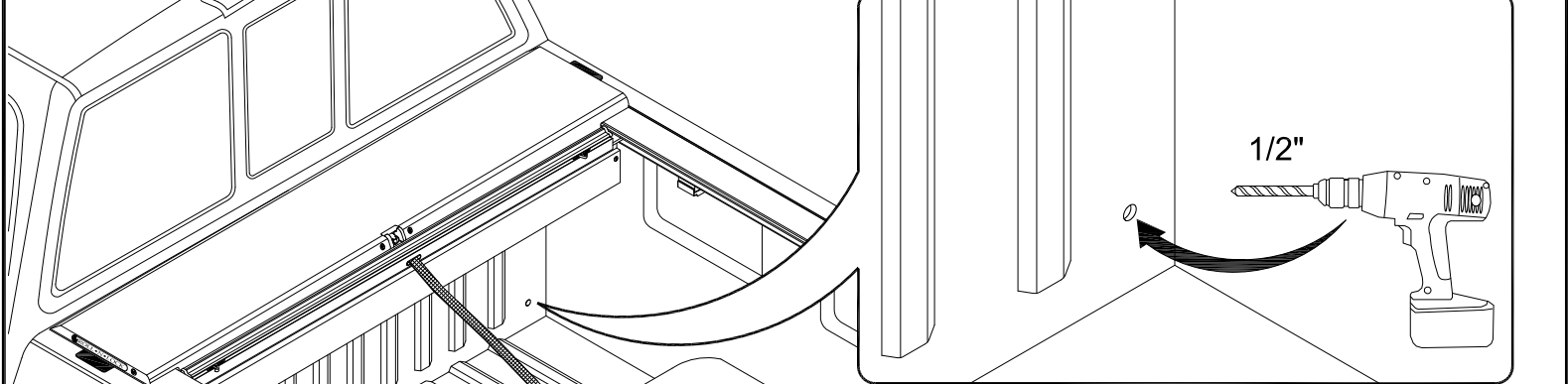
14 LHS = RHS



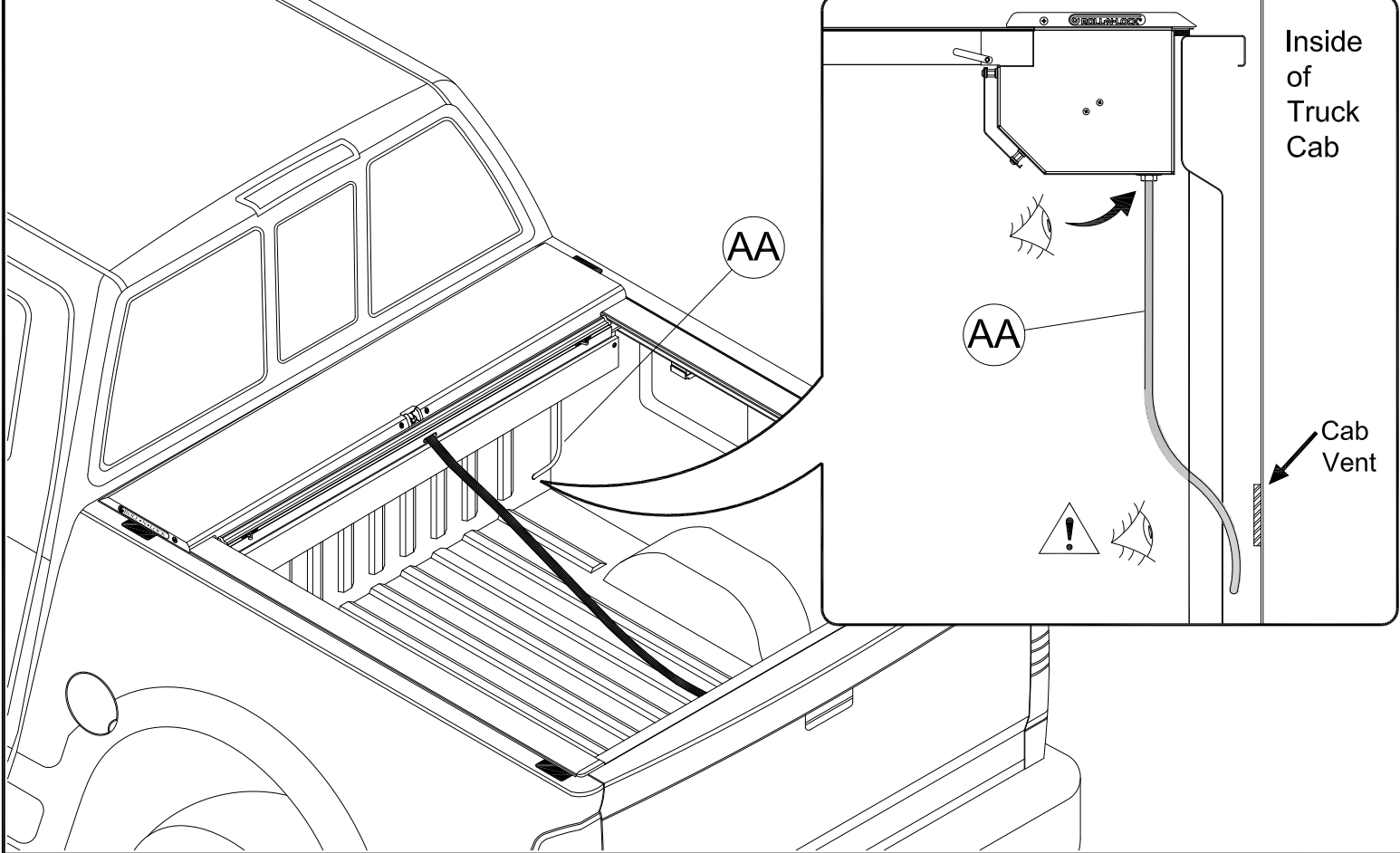
15 LHS = RHS



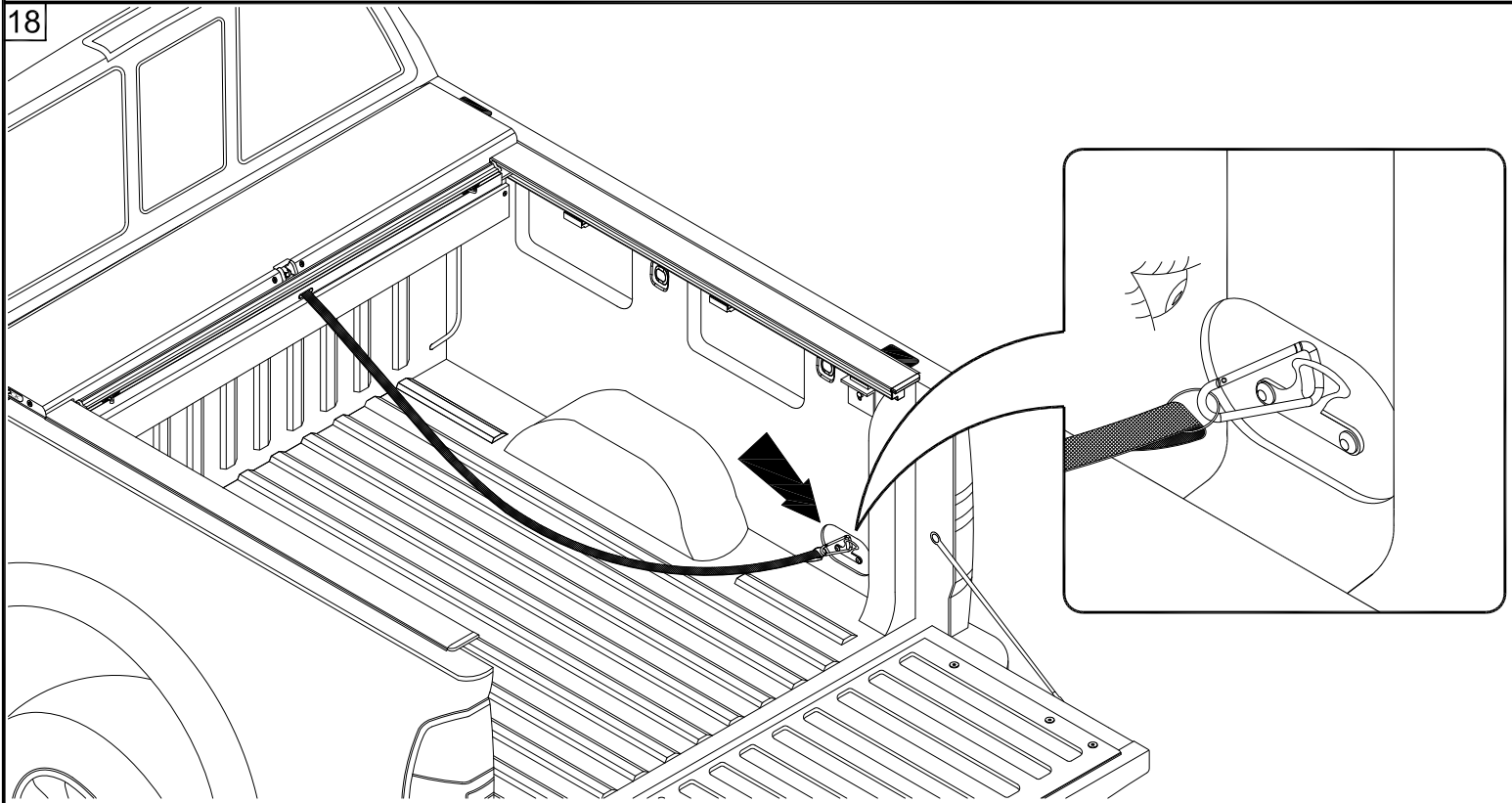
16 LHS = RHS



17 LHS = RHS



18



ROLL-N-LOCK®

Any questions please call Roll•N•Lock
Customer Service at 800-952-7655 or rollnlock.com