

INSTALLATION INSTRUCTIONS

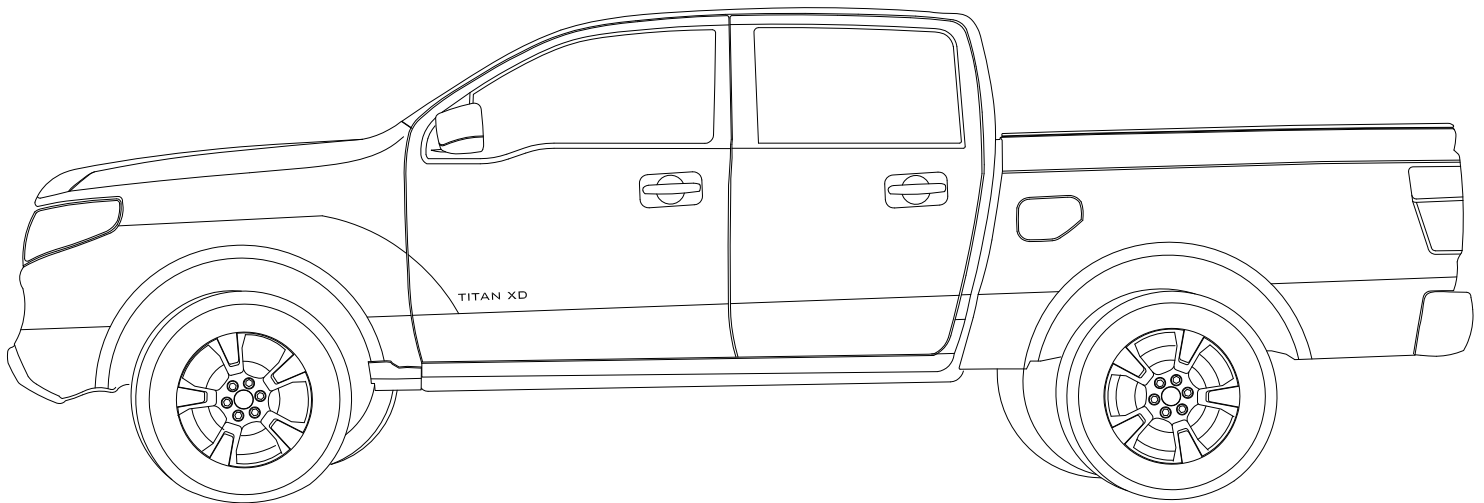
CUSTOMER SERVICE

Phone: 800-952-7655 • MON - FRI 8:00 am - 5:00 pm EST

Email: INFO@ROLLNLOCK.COM



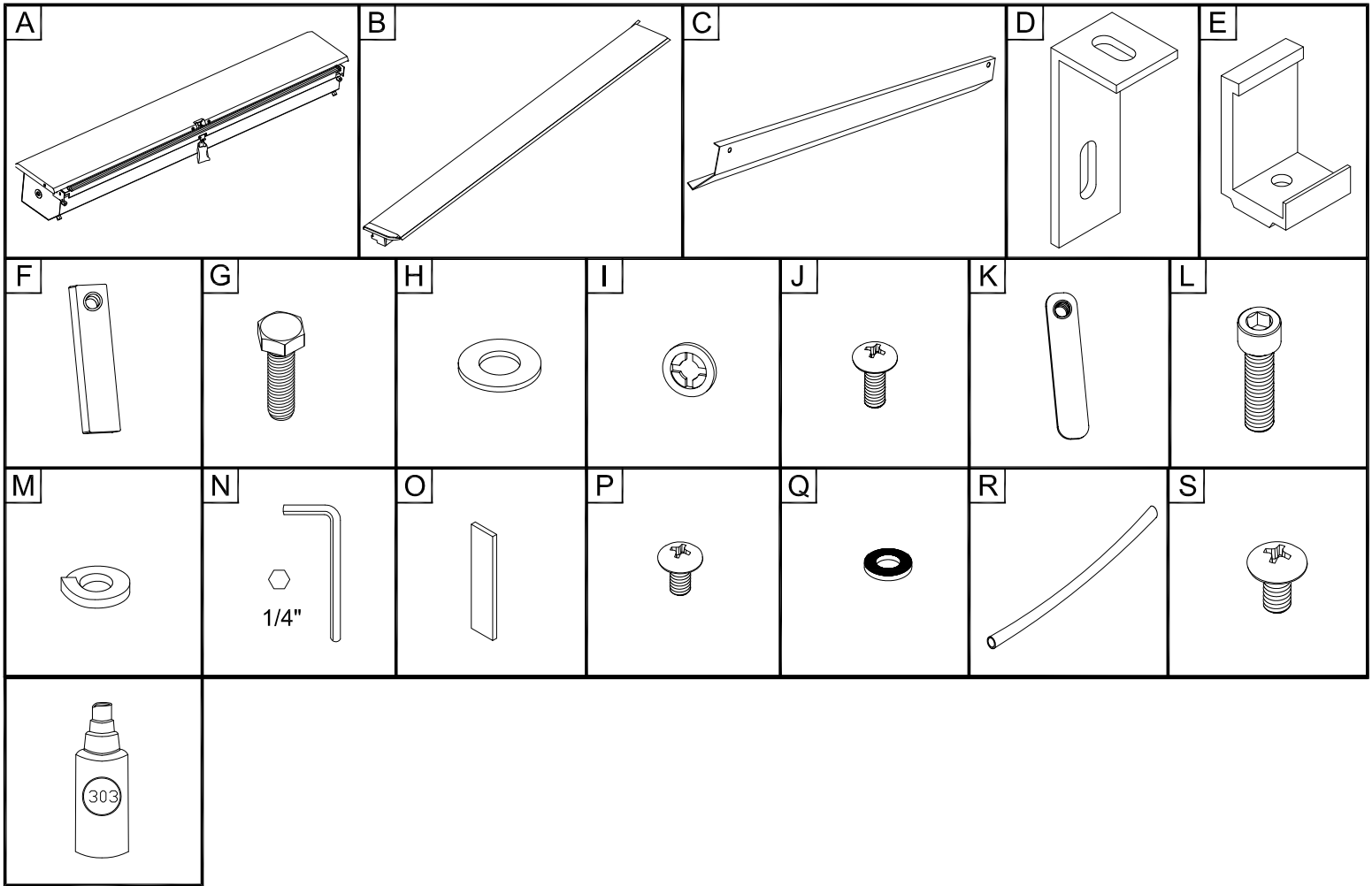
Installation Guide 2016 Nissan Titan



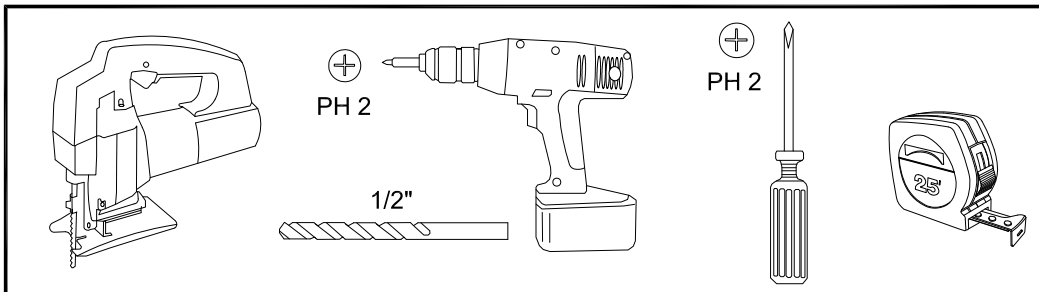
Product Code
880-881

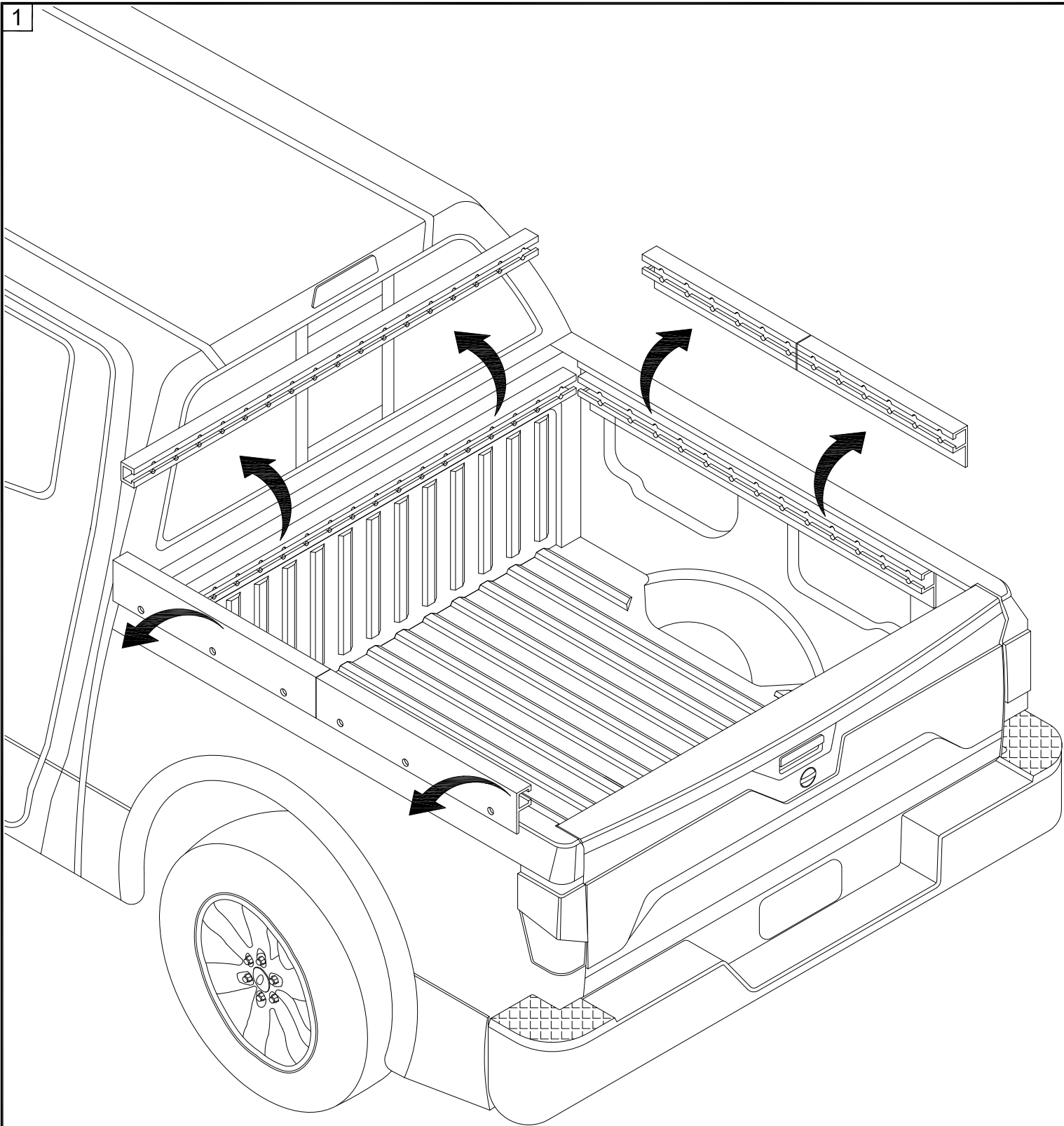
Parts List

Item	Part Name	Qty.	Item	Part Name	Qty.	Item	Part Name	Qty.
A	Housing	1	H	1/4" Flat Washer	2	O	Shim	2
B	Track	2	I	Plastic Retaining Washer	2	P	1/4-20 x 3/8" Screw	4
C	Cargo Shield	1	J	#10-24 Screw	2	Q	Rubber Washer	4
D	Angle Bracket	2	K	Cargo Nut	2	R	Drain Tube	2
E	"SX" Bed Clamp	4	L	5/16" Socket Cap Screw	6	S	1/4" Lid Screws	2
F	Tang	2	M	5/16" Lock Washer	6		303 Vinyl Protector	1
G	1/4-20 x 1" Hex Bolt	2	N	Allen Wrench (1/4")	1			

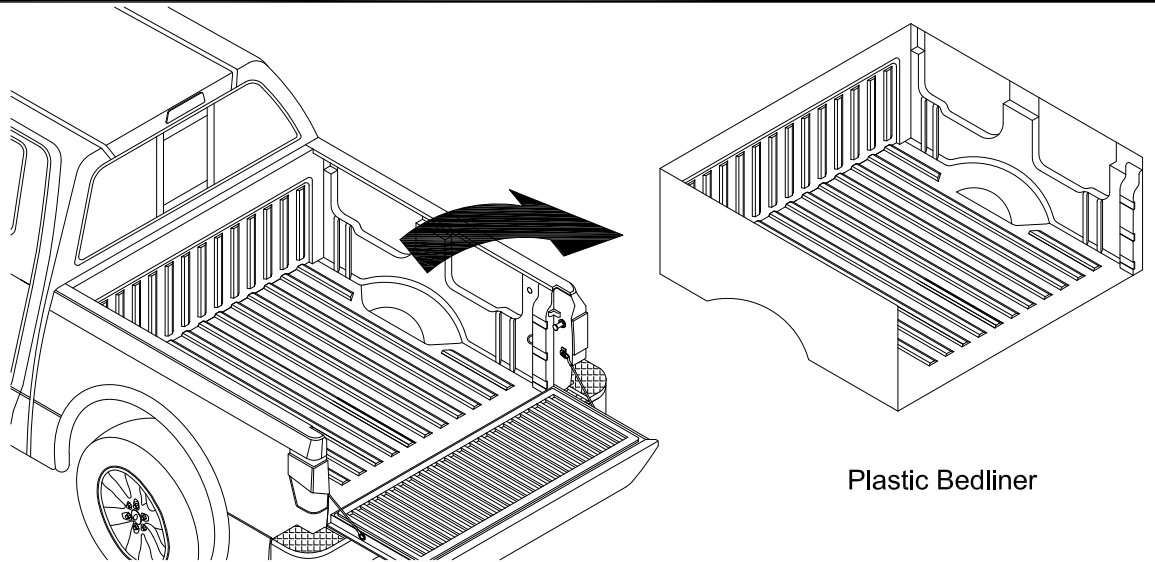


Tools Needed

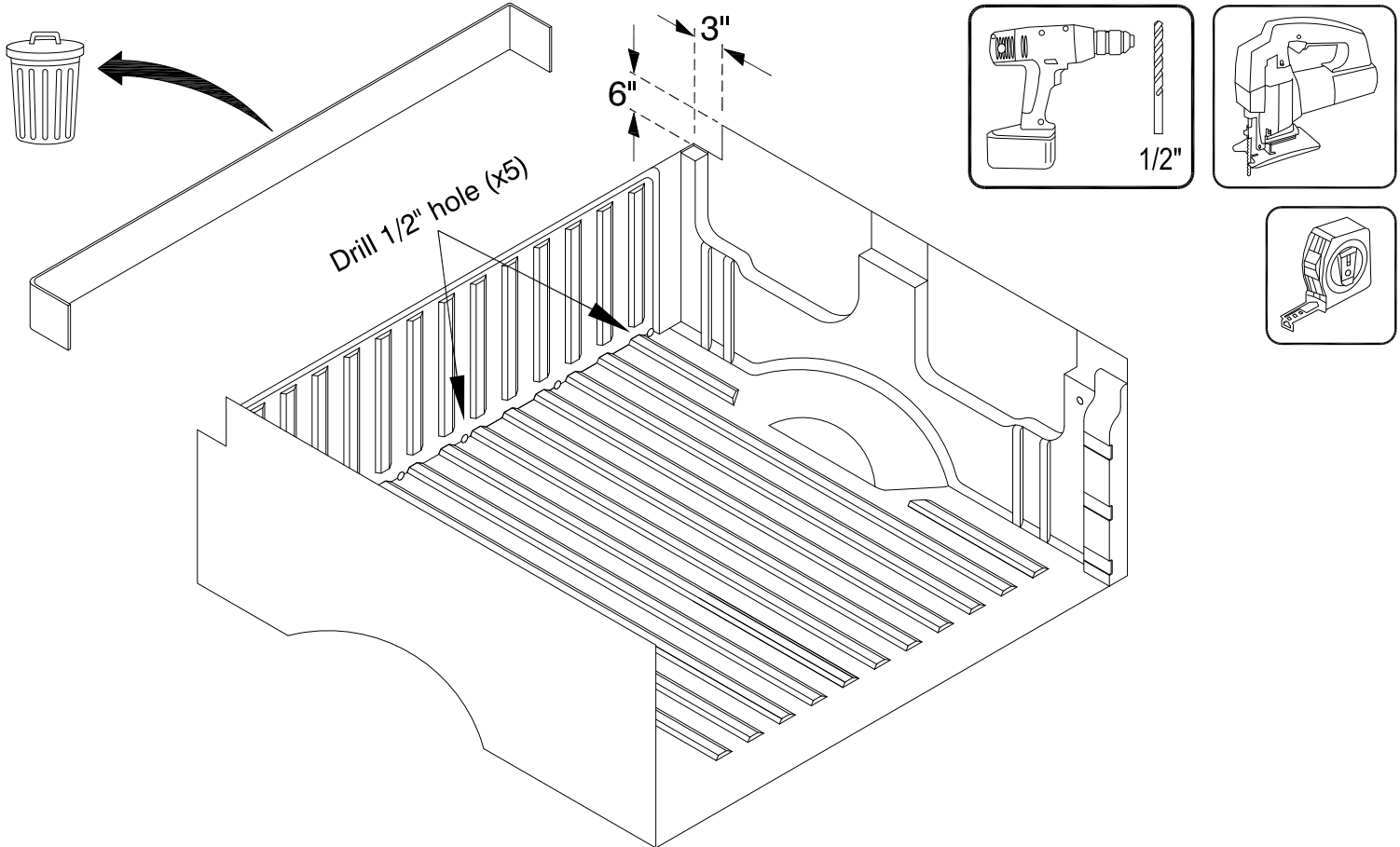




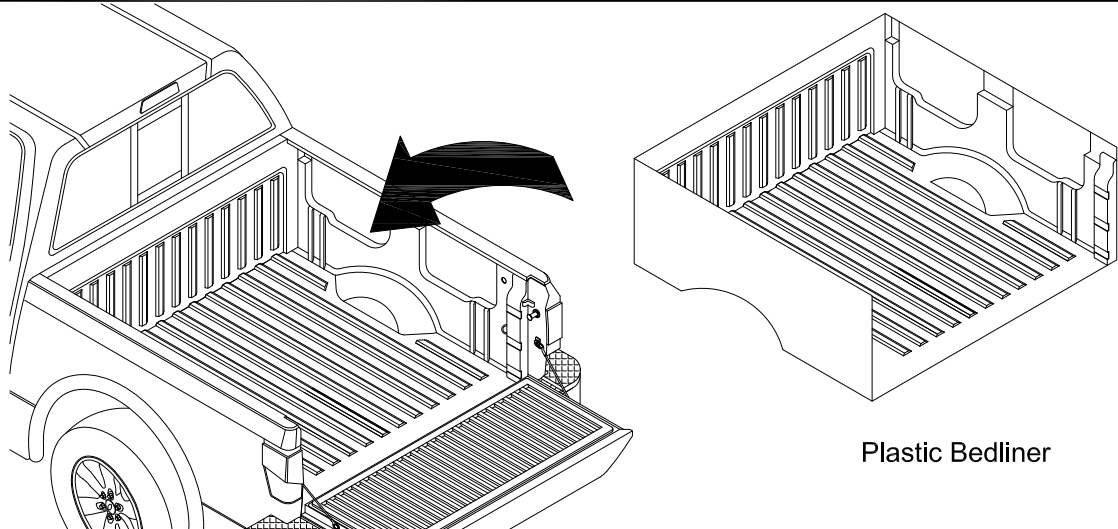
1a If no bedliner present
proceed to
page 5 - step 2



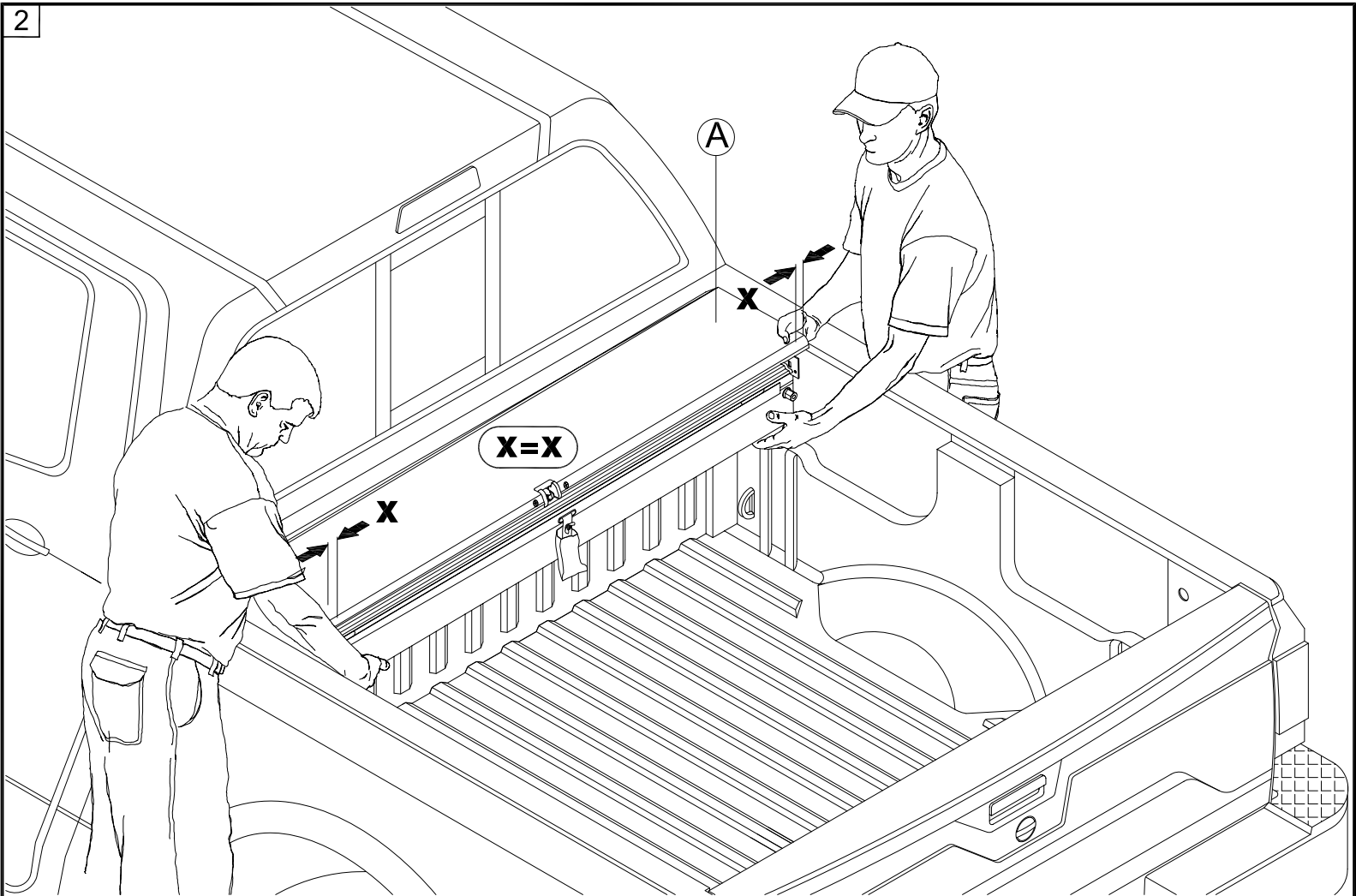
1b



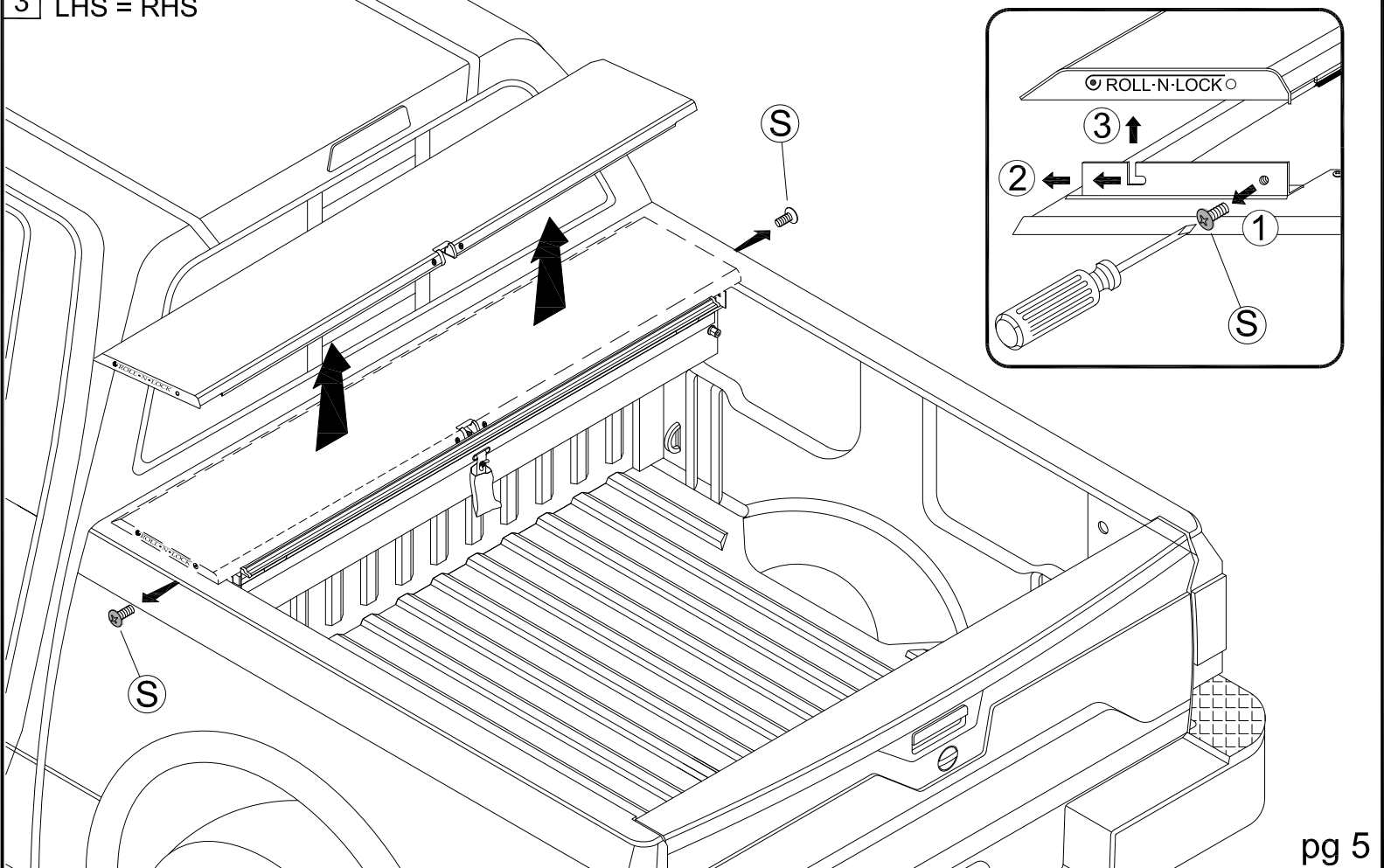
1c



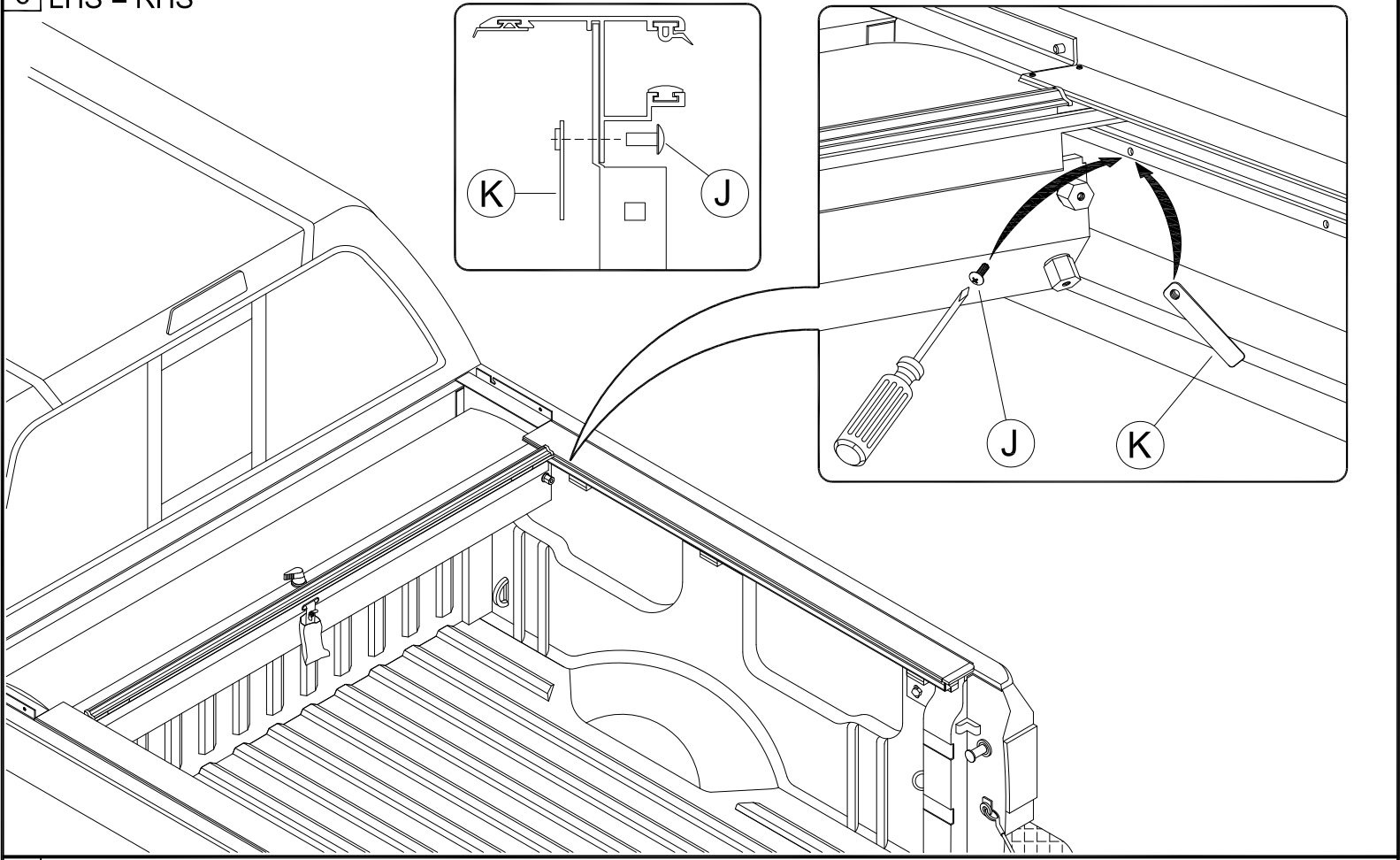
2



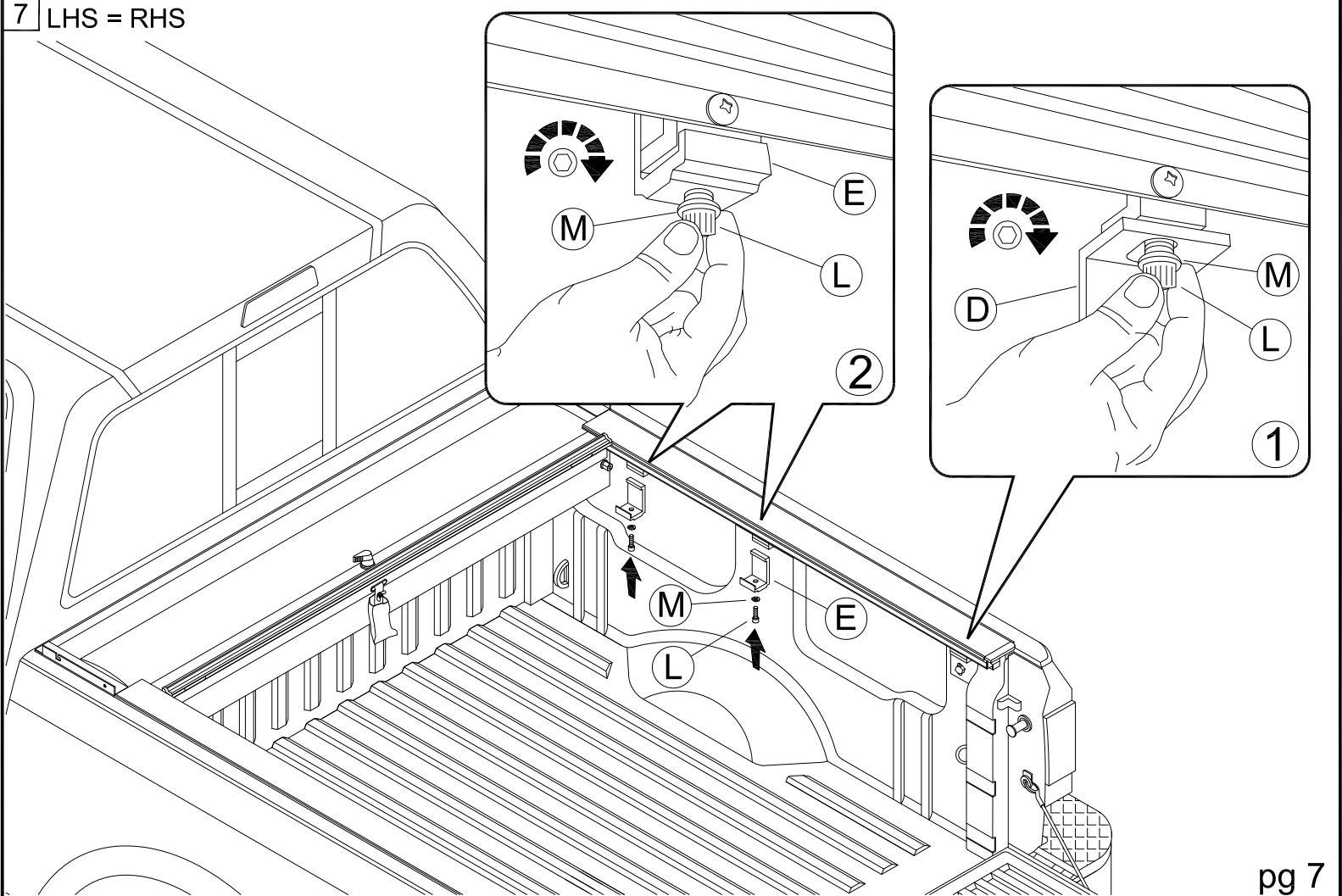
3 LHS = RHS

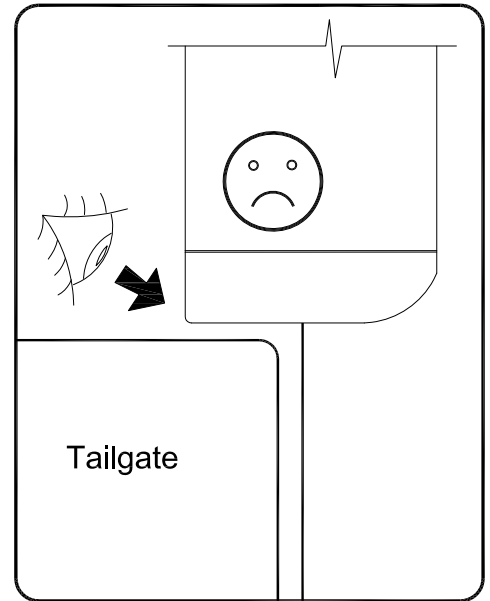
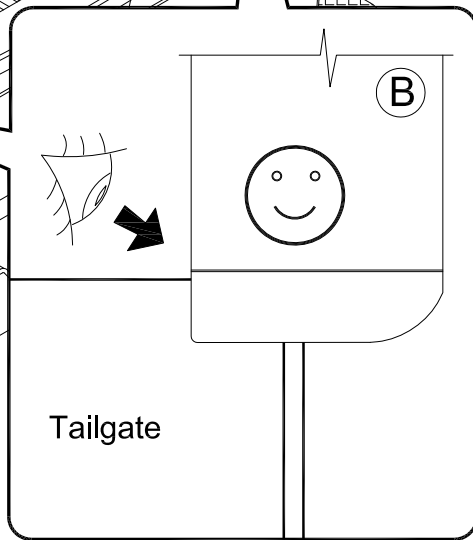
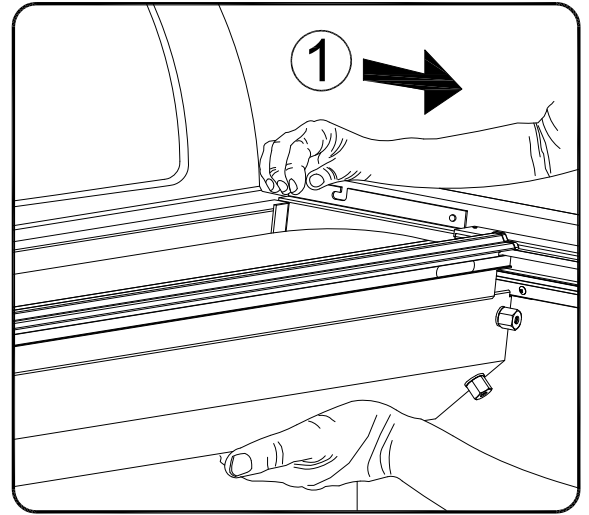
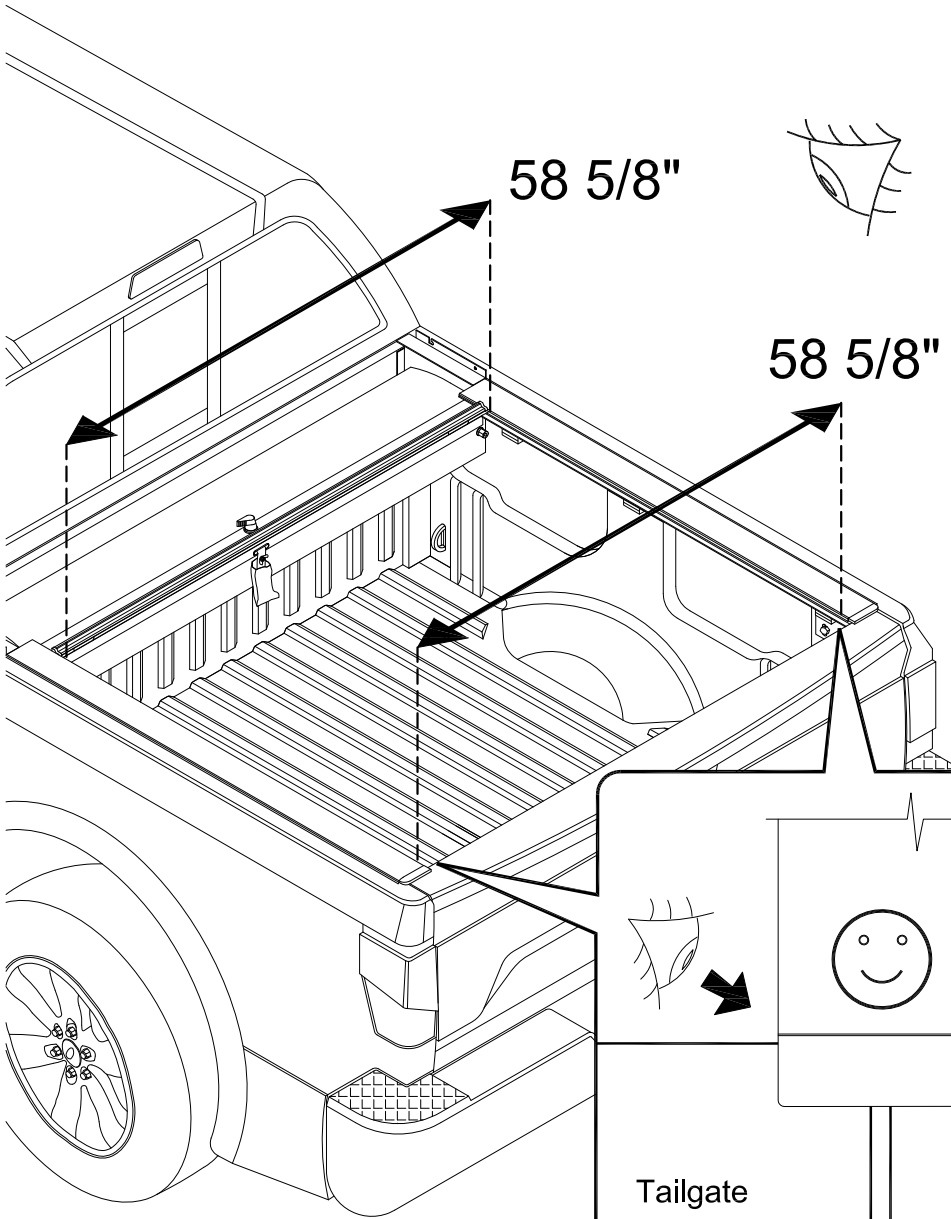


6 LHS = RHS

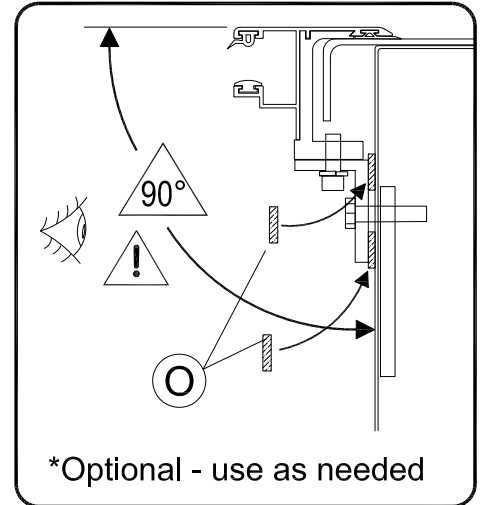
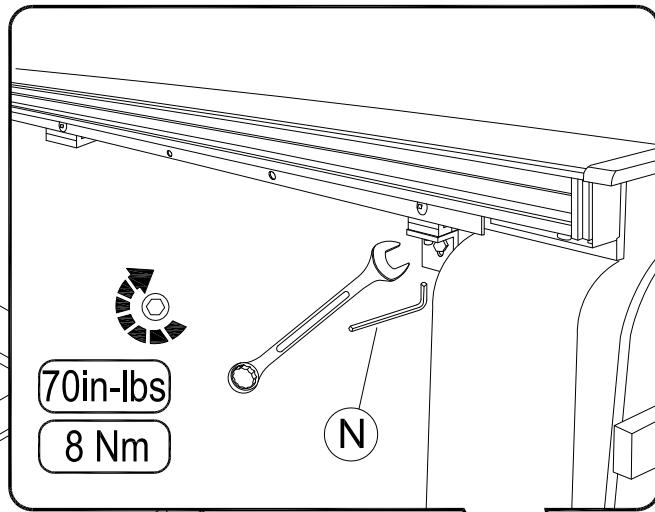


7 LHS = RHS

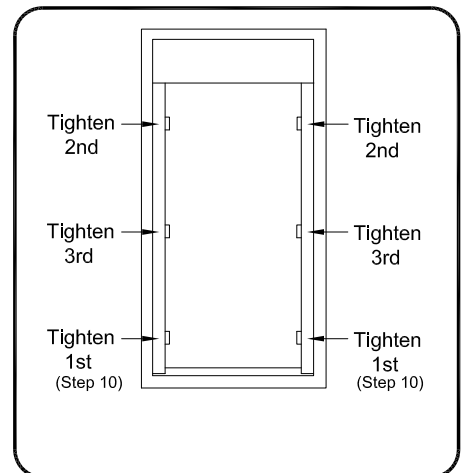
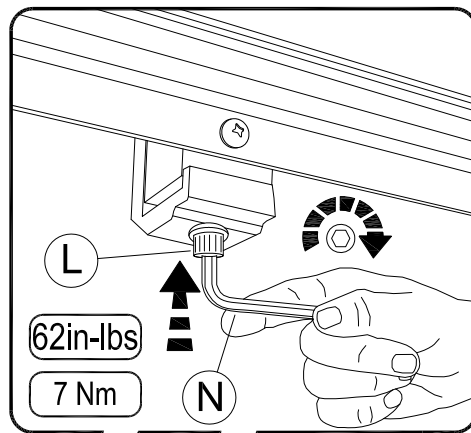




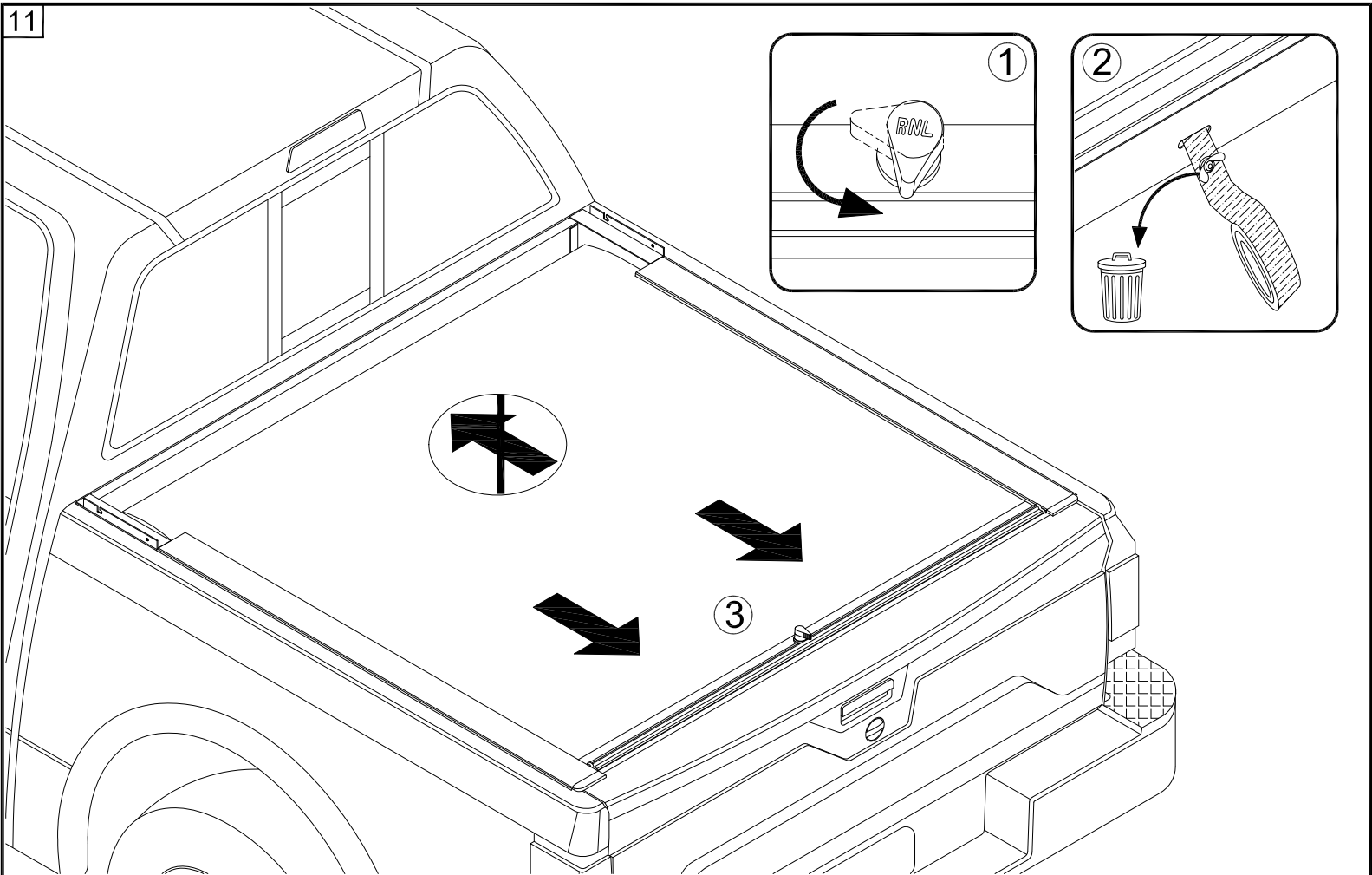
9 LHS = RHS



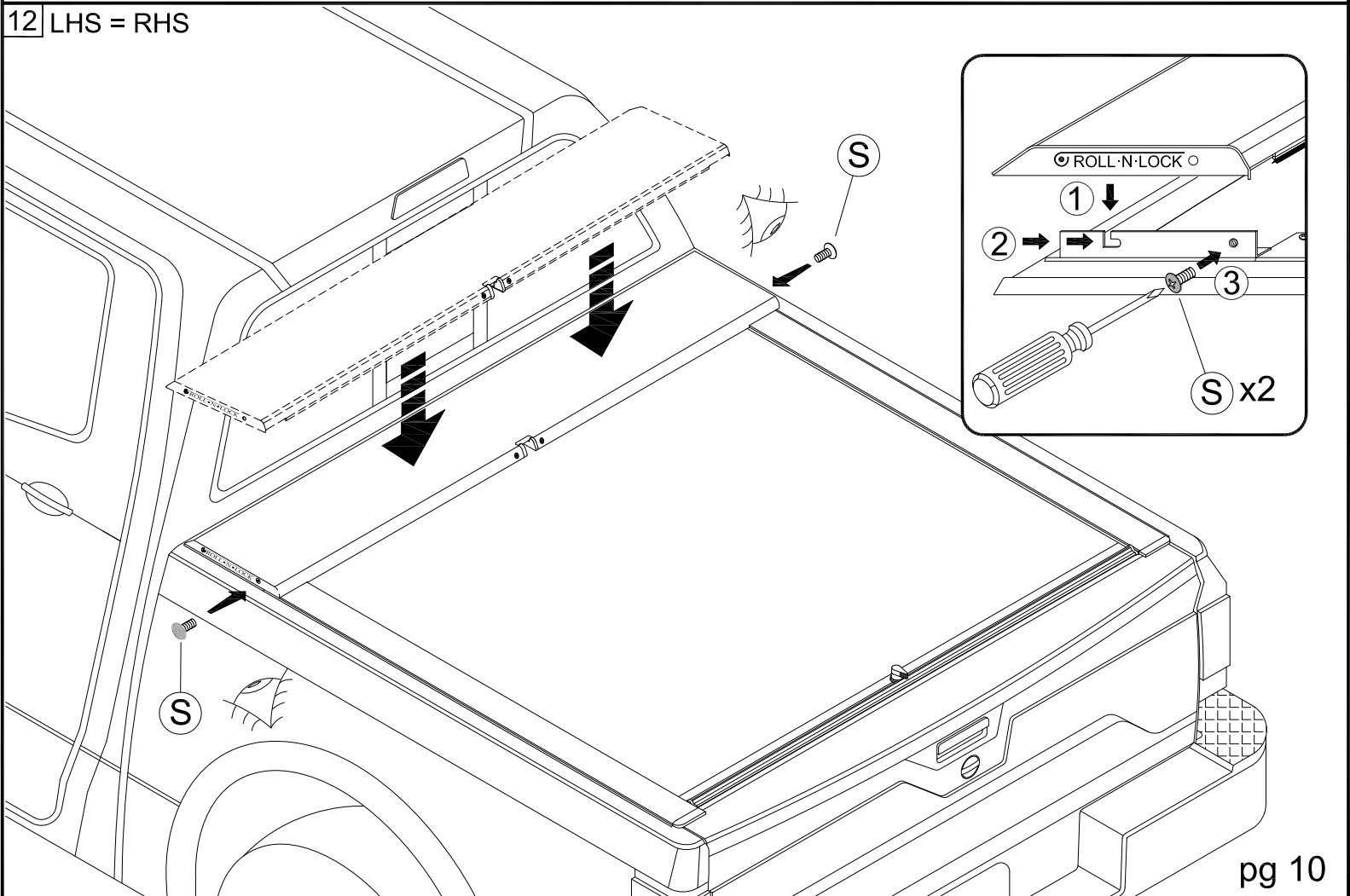
10 LHS = RHS



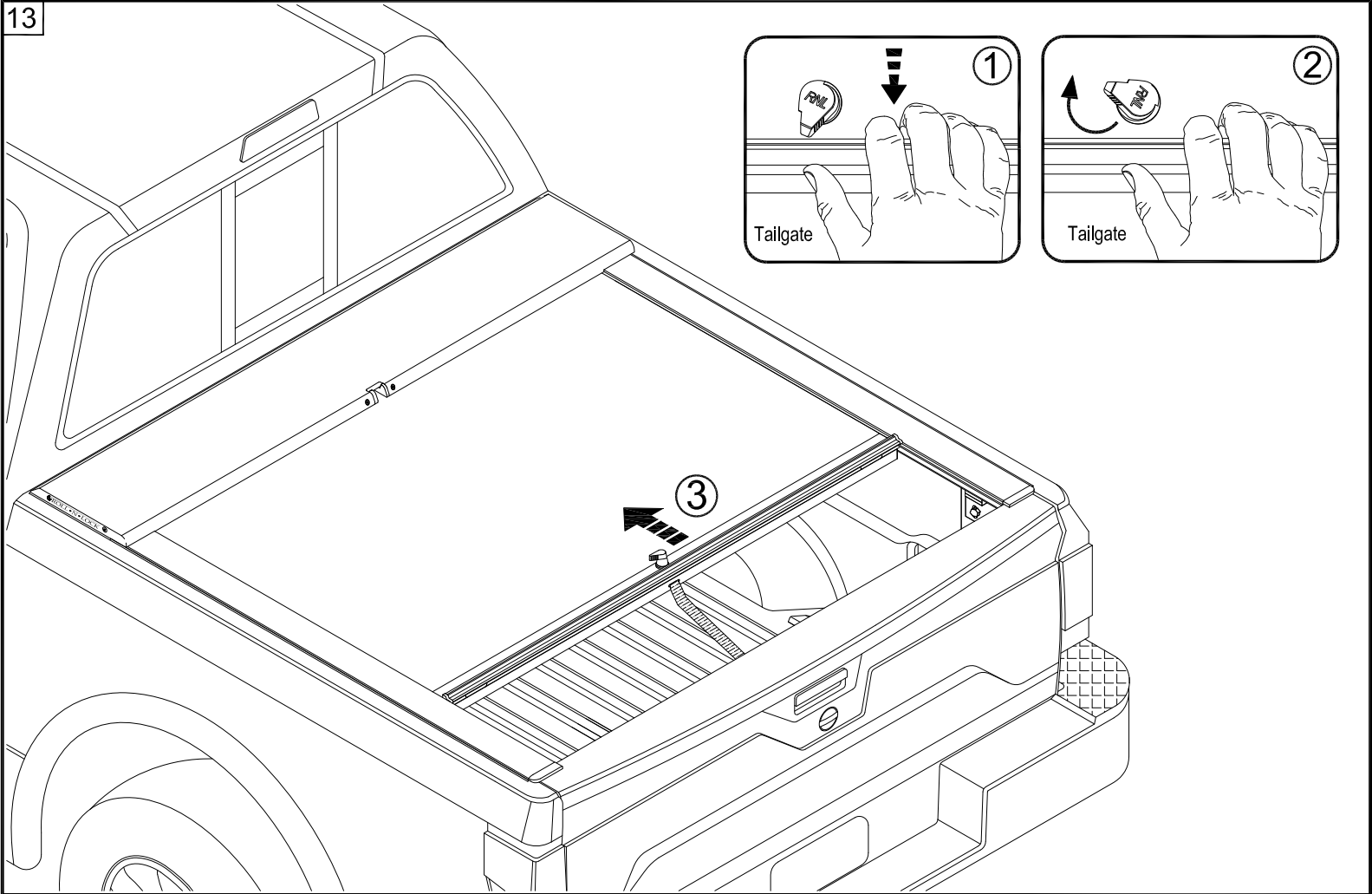
11



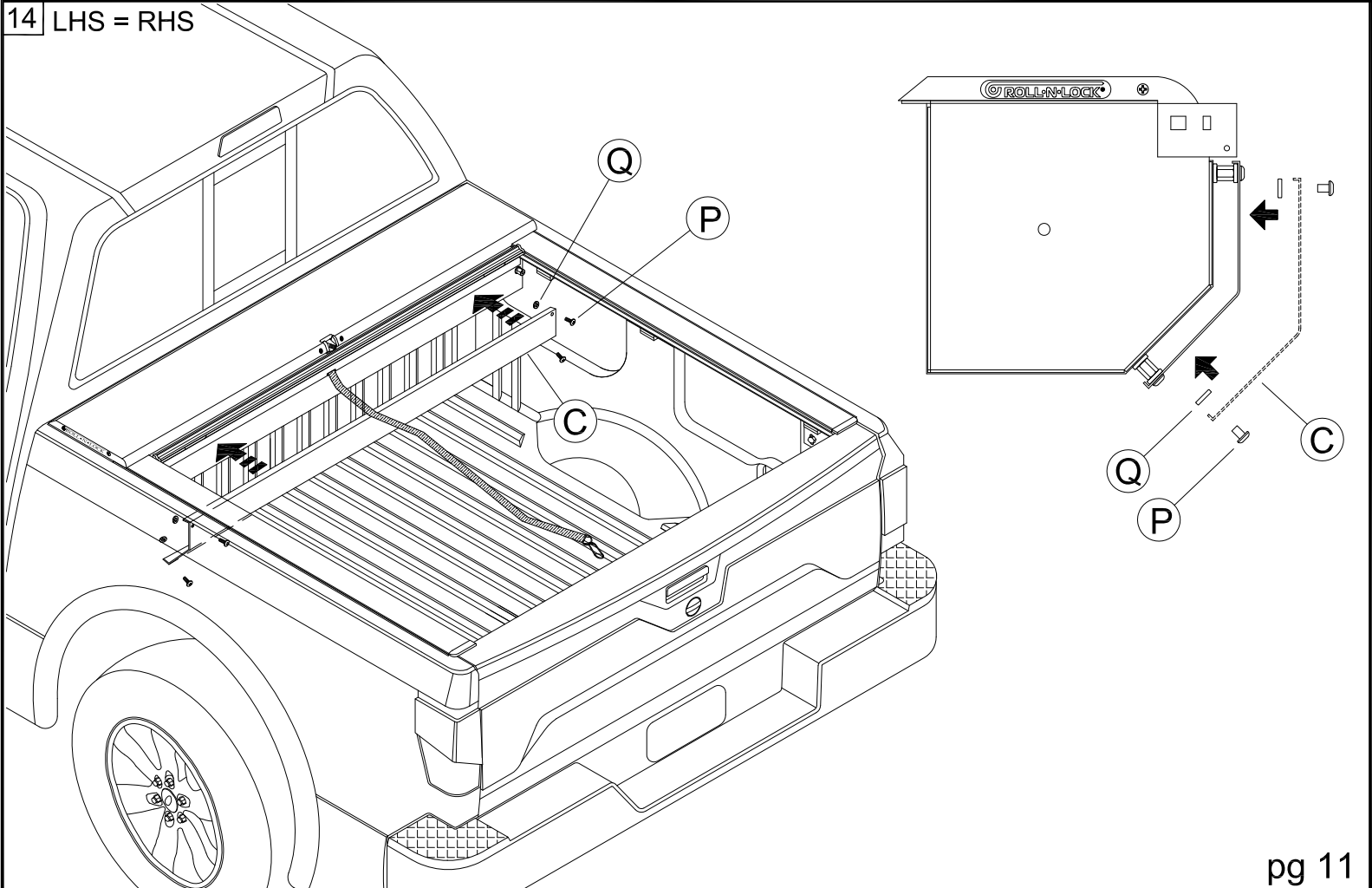
12 LHS = RHS



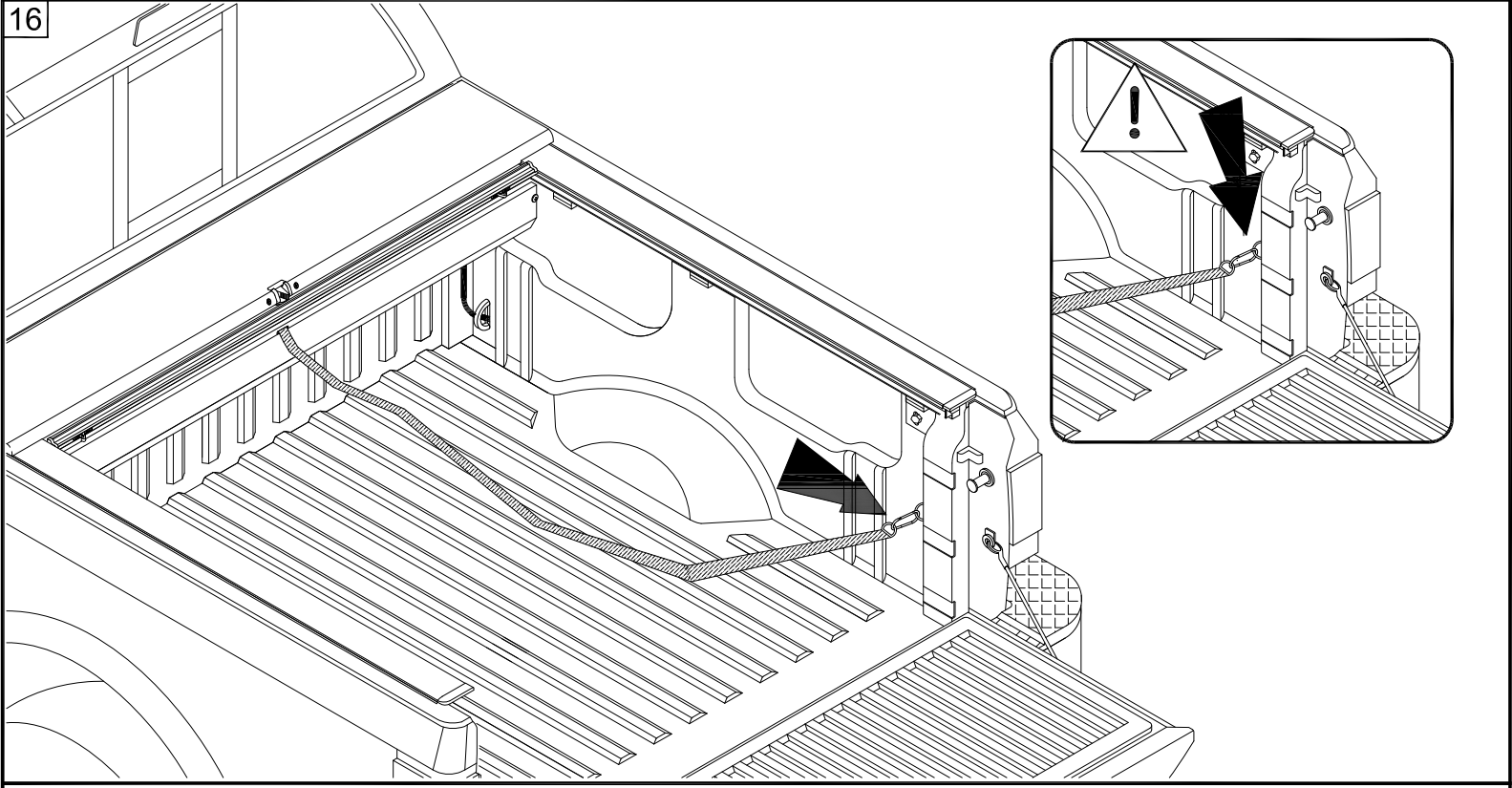
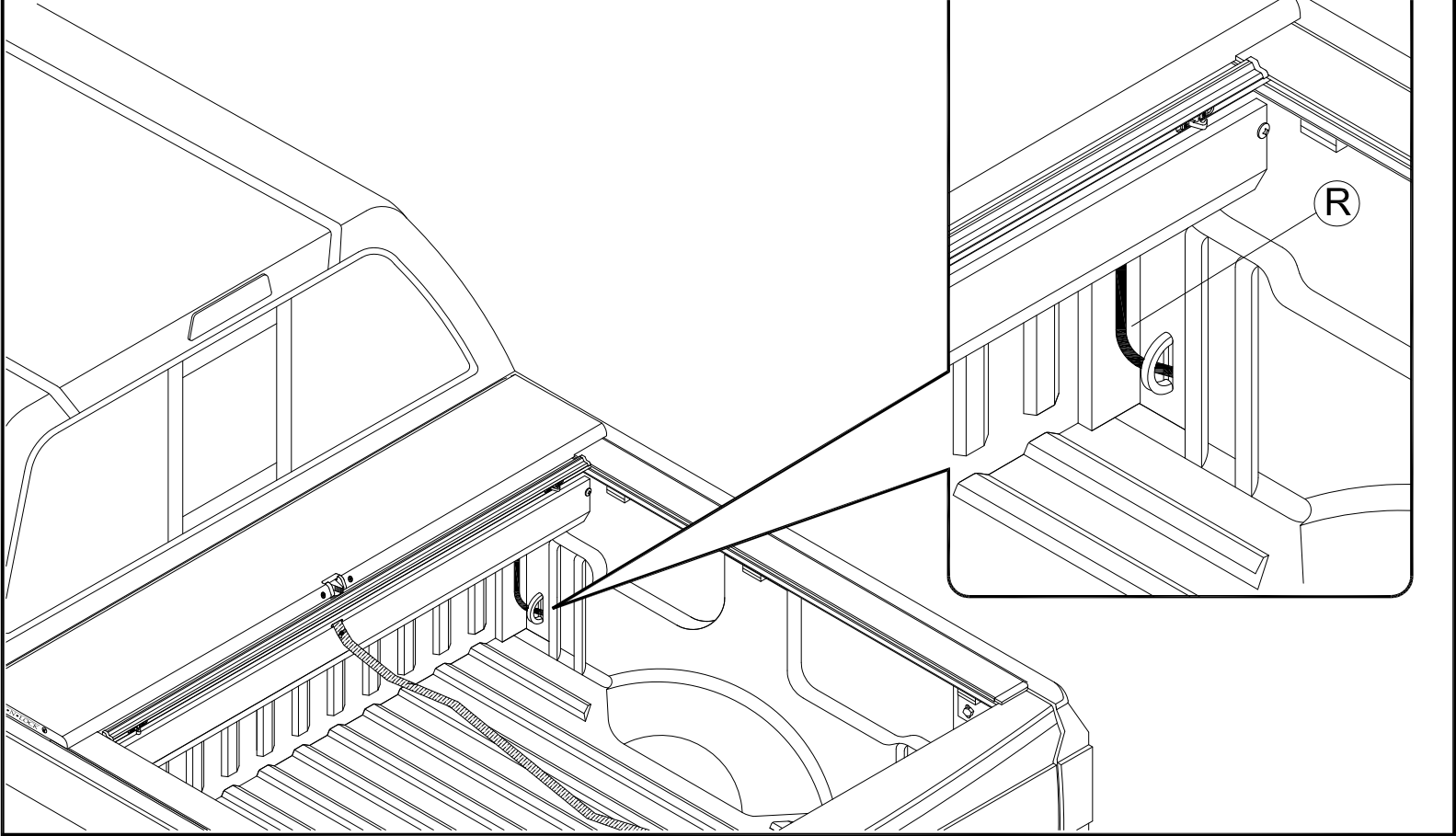
13



14 LHS = RHS



15 LHS = RHS



ROLL-N-LOCK®

Any questions please call Roll•N•Lock
Customer Service at 800-952-7655 or rollnlock.com