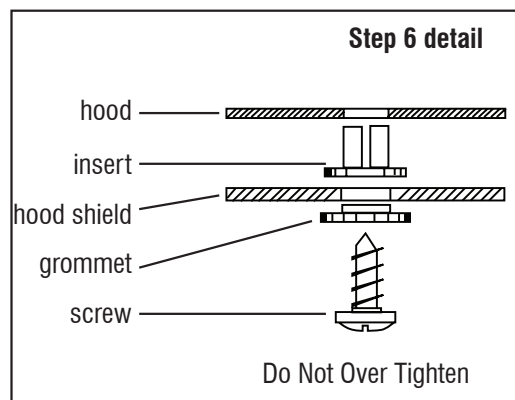
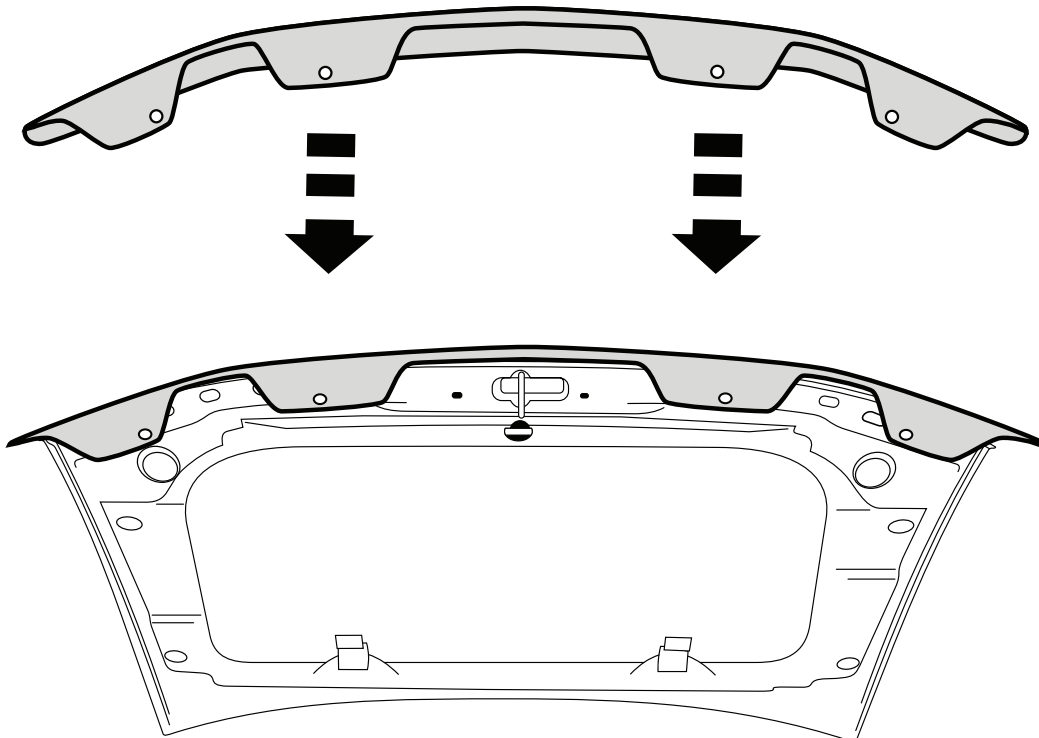


1. Raise hood.
2. Locate (4) square holes on underside of hood that correspond with holes in hood shield. Clean this area to remove any dust or debris.
3. Press (4) hood inserts into the (4) square holes.
4. For applications with tape, expose 2" (5 cm) of tape liner from each end of the flanges on the hood shield.
5. Align Hood Shield with holes in hood.
6. Using a phillips screwdriver, install (2) center screws. Repeat for remaining (2) holes. (See detail below.) If applicable, remove remaining tape liner.
7. Close hood, install (4) bump ons.



IMPORTANT: Before driving, ensure the hood shield is properly secured to vehicle. Clean with a **SOFT** cloth and soap and water **ONLY!** Using abrasive cleaners, chemicals, or solvents will **VOID** the warranty on this product.