

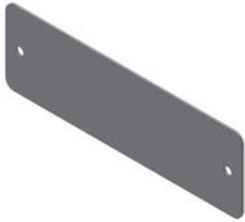


# INSTALLATION INSTRUCTIONS

## Stereo Dash Cutout Cover #151

Please read and fill out the enclosed warranty registration card to activate your warranty.

### PARTS CHECKLIST



#1 Cover plate



#2 Back plate



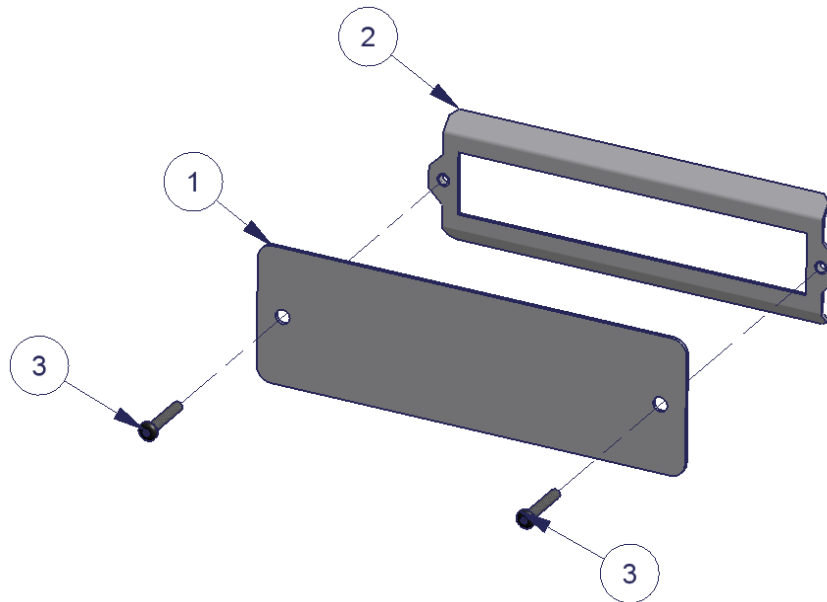
#3 (2) 8-32 x 1" Allen screws

### TOOLS NEEDED

- 3/32 Allen wrench

### PLEASE READ ALL INSTRUCTIONS THOROUGHLY BEFORE STARTING INSTALLATION.

1. If you are mounting switches in the #1 Cover plate run the required wires to the mounting location. Drill the #1 Cover plate and then mount the switches. Be sure any part of the switch which is protruding through the back of the #1 Cover plate will clear the cutout in the #2 Back plate and any other objects in the dash which could cause an electrical issue later.
2. Insert the #3 screws through the #1 Cover plate and into the #2 back plate. Only turn them two turns.
3. Insert the assembly into the cutout in the dash where the stereo was and tighten the #3 screws so the dash is "sandwiched" between the #1 Cover plate and #2 Back plate.



Call (970)564-1762 for Technical Support