



INSTALLATION INSTRUCTIONS

#302 Tactical Security Drawer Mounting Kit

Fits: Ford Explorer (2011-19), Ford Police Interceptor SUV (2013-19),

(This kit is designed to mount on the rear cargo drawer sold separately)
Please read and fill out the enclosed warranty registration card or register online at <https://tuffypromts.com/warranty-registration/> to activate your warranty.

Table of Contents:

Vehicle	Standard Drawer Enclosure Size	Pages
General Mounting Directions (All Vehicles)		2
Ford Explorer (2011-19)	#167-400360160-000-01	3-7
Ford Police Interceptor SUV (2013-19)	#167-400360160-000-01	8-12

#302 Mounting Kit Parts



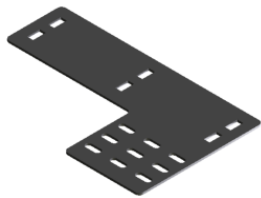
#1 (4) Gusseted Tall Riser



#2 (4) Upper Tall Risers



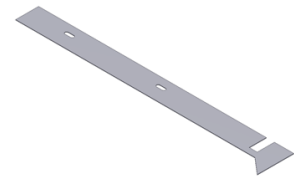
#3 (2) Lower Tall Risers



#4 (2) Support Plate

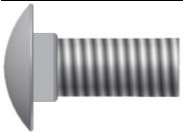


#6 (1) Rear Apron



#7 (2) Side Apron

#302 Shipping Package



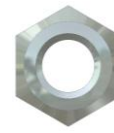
#5.1 (8) 5/16x3/4" Carriage Bolts



#5.2 (28) 5/16x1" Bolts



#5.3 (60) 5/16 Washers

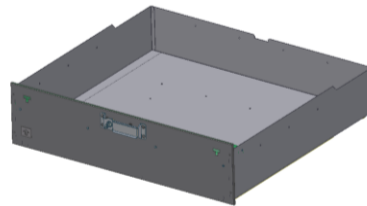


#5.4 (36) 5/16 Nylock Nuts

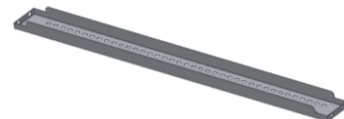
Parts used which are included with the drawer assembly:



Enclosure



Drawer



#8 (1) Mounting Brackets

Parts used from the drawer shipping package (Included with drawer):



#5.2.4 (4) 5/16-18x7/8" Bolts



#5.2.2 (4) 5/16 Nuts



#5.2.3 (8) 5/16 Narrow OD Washers

Tools required

- 1/2" Shallow socket with a long extension and a ratchet (Universal joint also helps)
- 1/2" Wrench

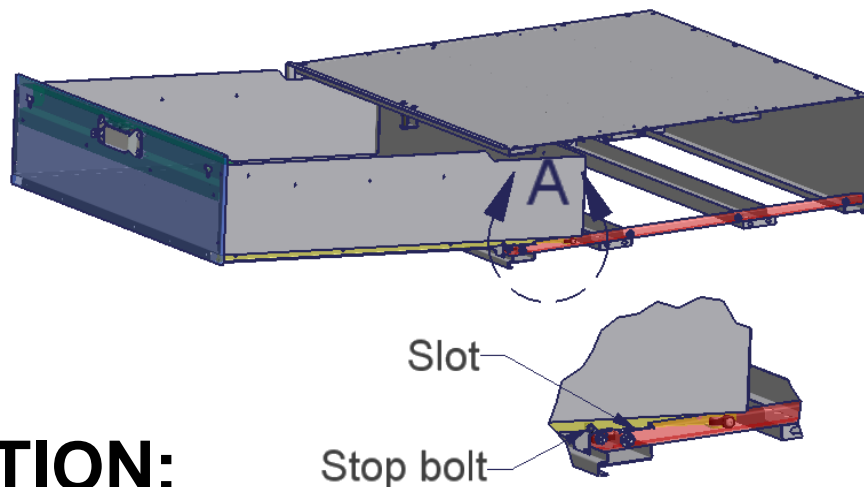
General Mounting Directions (All Vehicles)

WARNING! This drawer is rated to hold a maximum of 250# evenly distributed. The enclosure is rated to hold 250# on top evenly distributed. This would include any dividers mounted in the drawer. Never stand or sit on the Tuffy drawer or enclosure. The vehicle should not be operated with the drawer opened and not secured shut. The drawer should not be operated/opened when not level. Keep hands clear of moving parts and pinch points when maneuvering the drawer. Do not exceed the rated weight capacity for this product.

FOR SAFETY THE DRAWER REMOVAL REQUIRES AT LEAST (2) PEOPLE. THE DRAWER SHOULD ALWAYS BE EMPTY BEFORE REMOVING IT. CONSTANT SUPPORT MUST BE APPLIED TO HOLD UP THE FRONT OF THE DRAWER THROUGHOUT THE ENTIRE REMOVAL PROCESS SO IT DOES NOT CAUSE INJURY AND/OR DAMAGE.

1. Check the cargo floor and wheel well panels of the vehicle for cubby holes containing important gear or require access in an emergency (Jack, spare tire, spare tire access, fuses, etc.). If floor access is required make sure that it is exposed and accessible through the opening in the bottom of the drawer enclosure when the drawer is removed. Remove and relocate any inaccessible items as required.
2. The mounting bracket location measurements in these instructions are for the standard vehicles listed at the top of page 1. Due to the wide variety of options, models, and other variables your vehicle may be different. If the dimensions in the vehicle where the drawer will be installed vary from those illustrated, the dimensions for the mounting locations will need to be adjusted. The mounting system was designed to be flexible to accommodate a wide variety of mounting applications.
3. Remove the jack access cover and the 3rd row seats or cover, *if applicable*, but save the OEM mounting fasteners (OEM flange nuts #5.5.2). Some of them will be reused. Refer to your vehicles factory service manual for detailed instructions on removal of 3rd row seats.
4. Remove the drawer from the enclosure. Pull the drawer out until it stops. Lift up the front of the drawer and pull it out a few inches further until the stop bolts on the drawer slides clear the rollers on the enclosure slide. Pull the drawer again until it stops, being sure to support the front of the drawer. Pivot the front of the drawer down and lift the rear end of the drawer out so the rollers on the drawer slides pull free through the slots in the enclosure slides. Reverse steps to install. (See Figure A)

FIGURE A



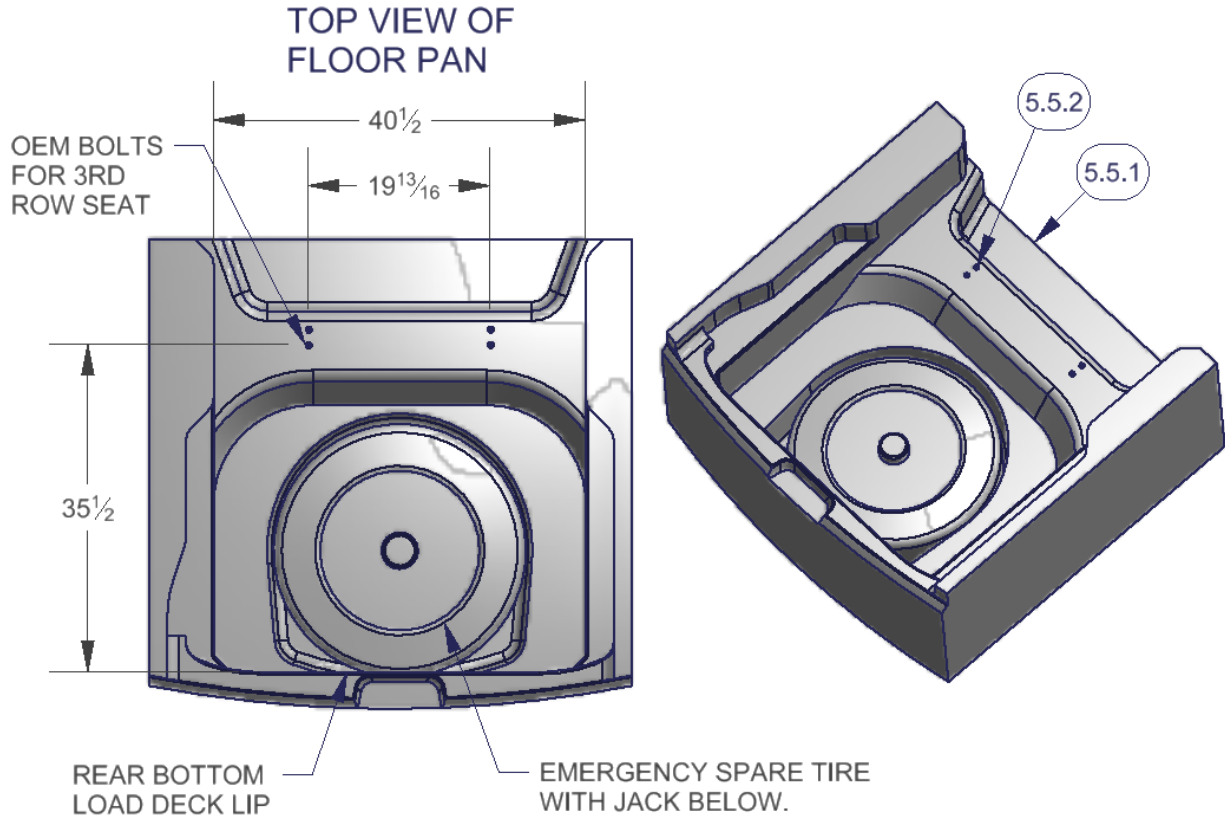
ATTENTION:

FREQUENT LUBRICATION IS NECESSARY ON THE LOCKING SYSTEM

The pushbutton lock contains an "O" ring seal to protect the interior from dust and water. If this mechanism is not lubricated regularly it will become difficult to operate and it may not return to its home position preventing the key from operating the lock. If this happens simply pull up on the pushbutton to manually bring it back to its home position. Lubricate the pushbutton with a light lubricant such as silicone spray. The pushbutton may have to be periodically disassembled and cleaned.

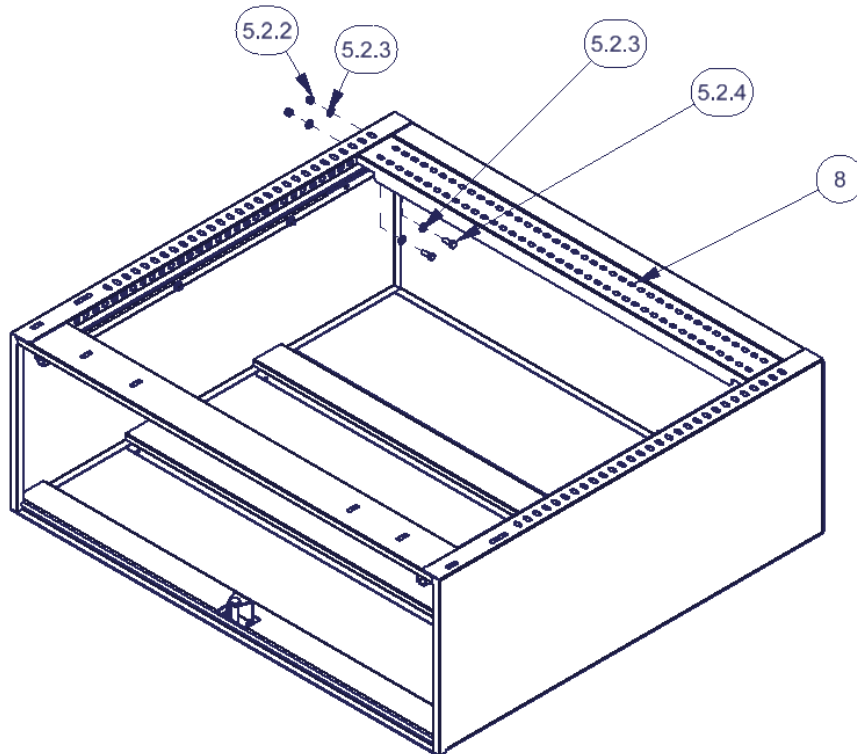
Call (970) 564-1762 for Technical Support

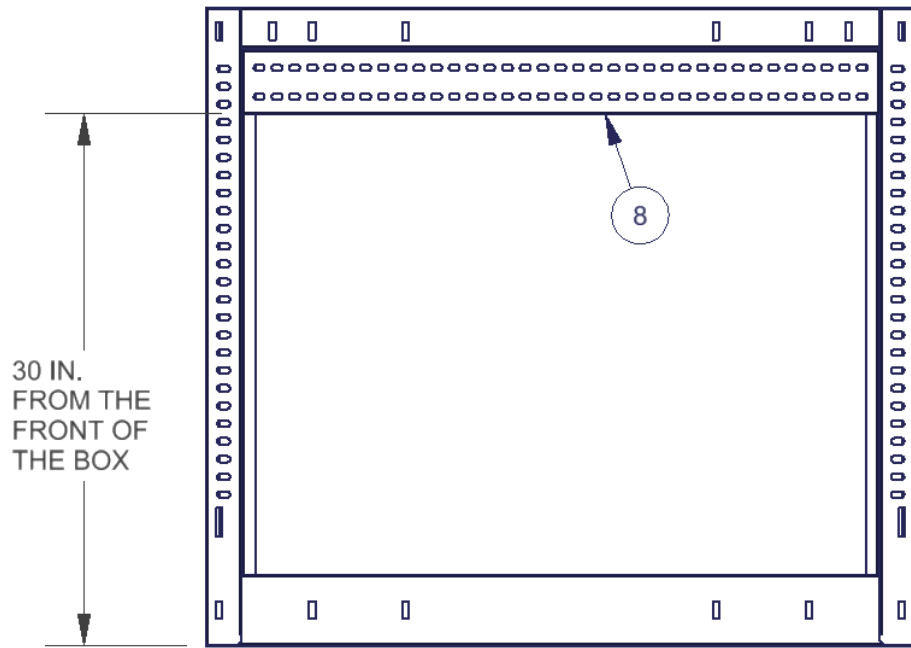
FIGURE 1 (Explorer Shown)



1. For a standard mounting application, as illustrated above, fasten only (1) #8 mounting bracket to the drawer enclosure with the illustrated hardware. These bolts are difficult to reach; Use a $\frac{1}{2}$ " shallow socket with a long extension and a ratchet (Universal joint also helps) and a $\frac{1}{2}$ " wrench on the other end. Unbolting the slide using a $\frac{7}{16}$ " wrench will make things easier as well. **These parts and fasteners are included with the drawer.** (See Figure 2)

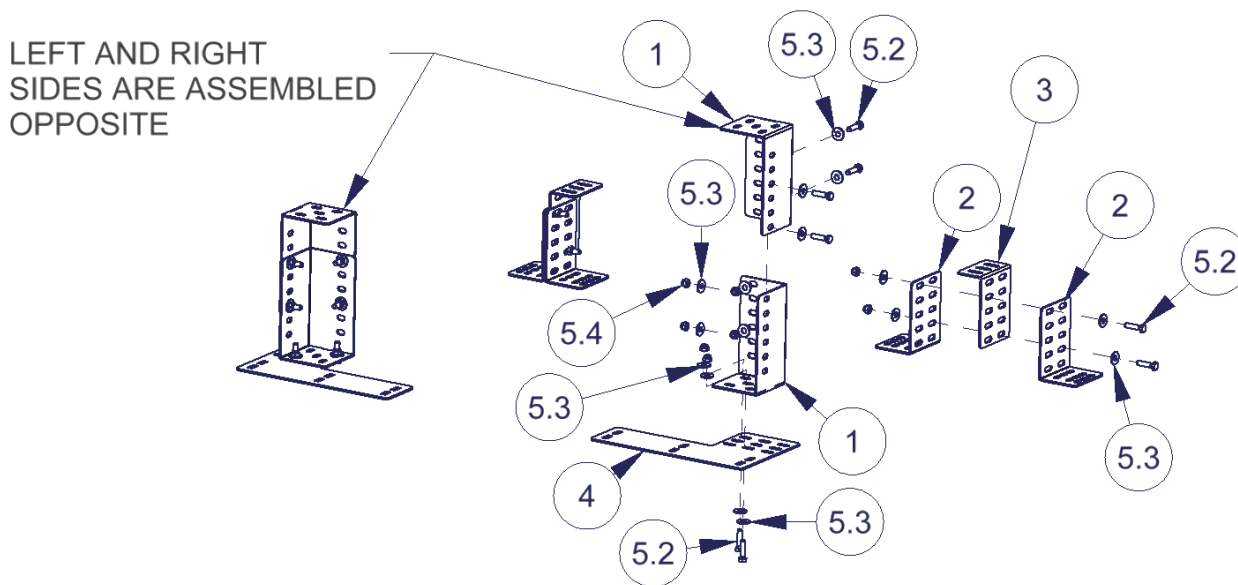
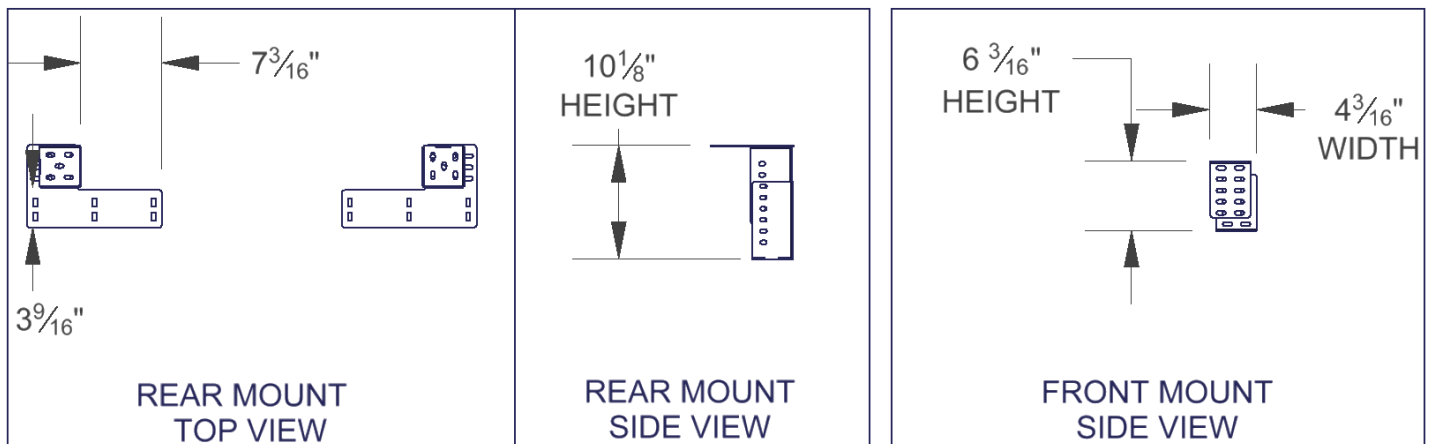
FIGURE 2





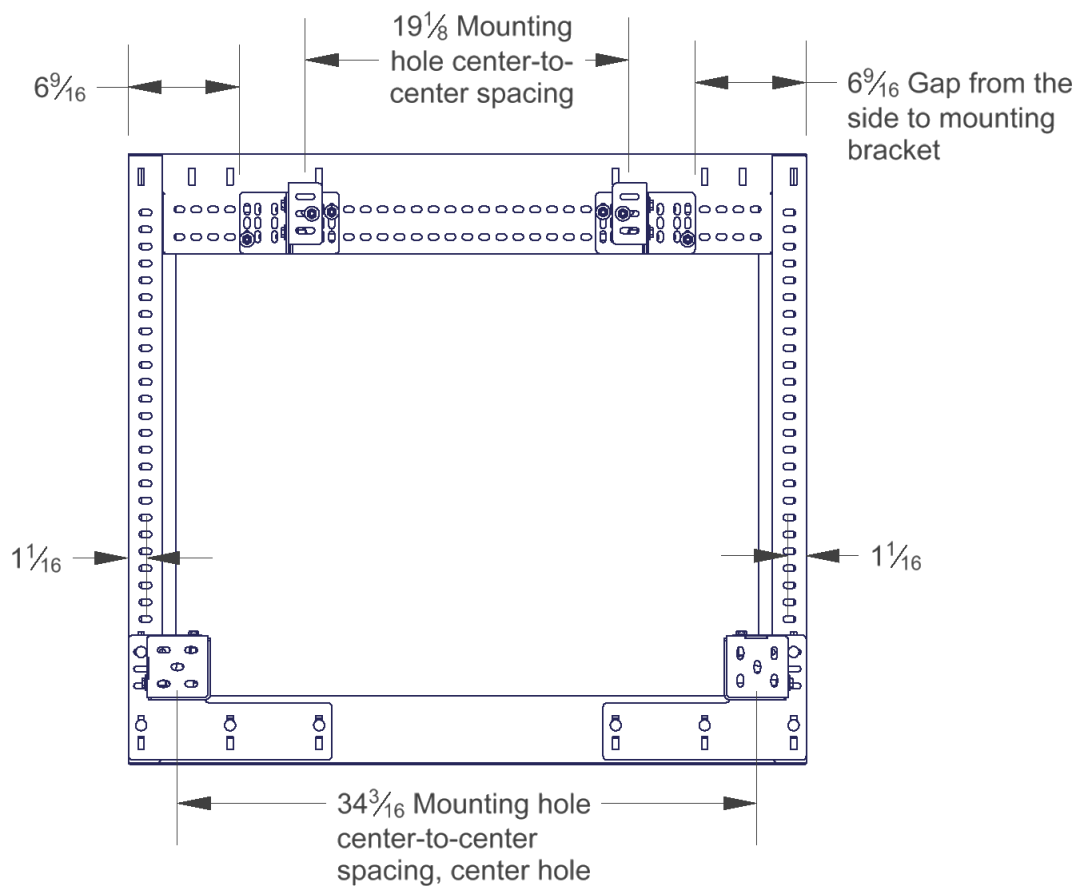
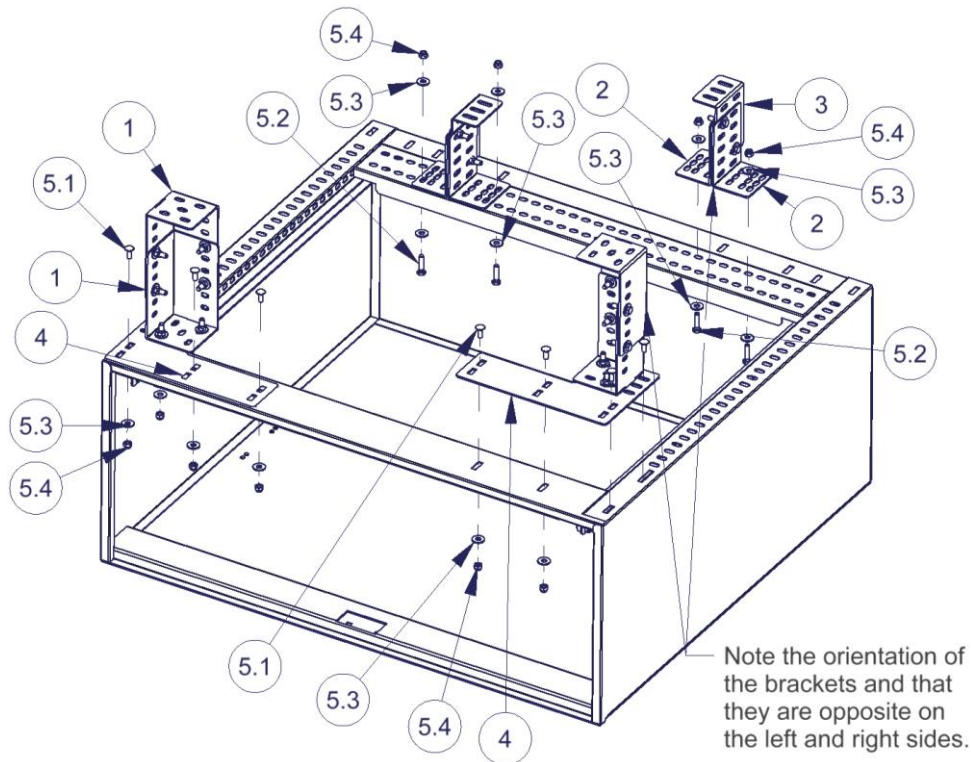
2. Assemble the mounting brackets as illustrated. Be sure left and right sides are assembled opposite. (See Figure 3)

FIGURE 3



3. Fasten the assembled brackets to the bottom of the drawer enclosure with the hardware illustrated. Be sure they are oriented and located as shown for a standard installation. ***Depending on available clearance, the assembled mounting brackets may have to be placed in the vehicle separate from the drawer and then assembled to the drawer enclosure in the vehicle. (See Figure 4)

FIGURE 4

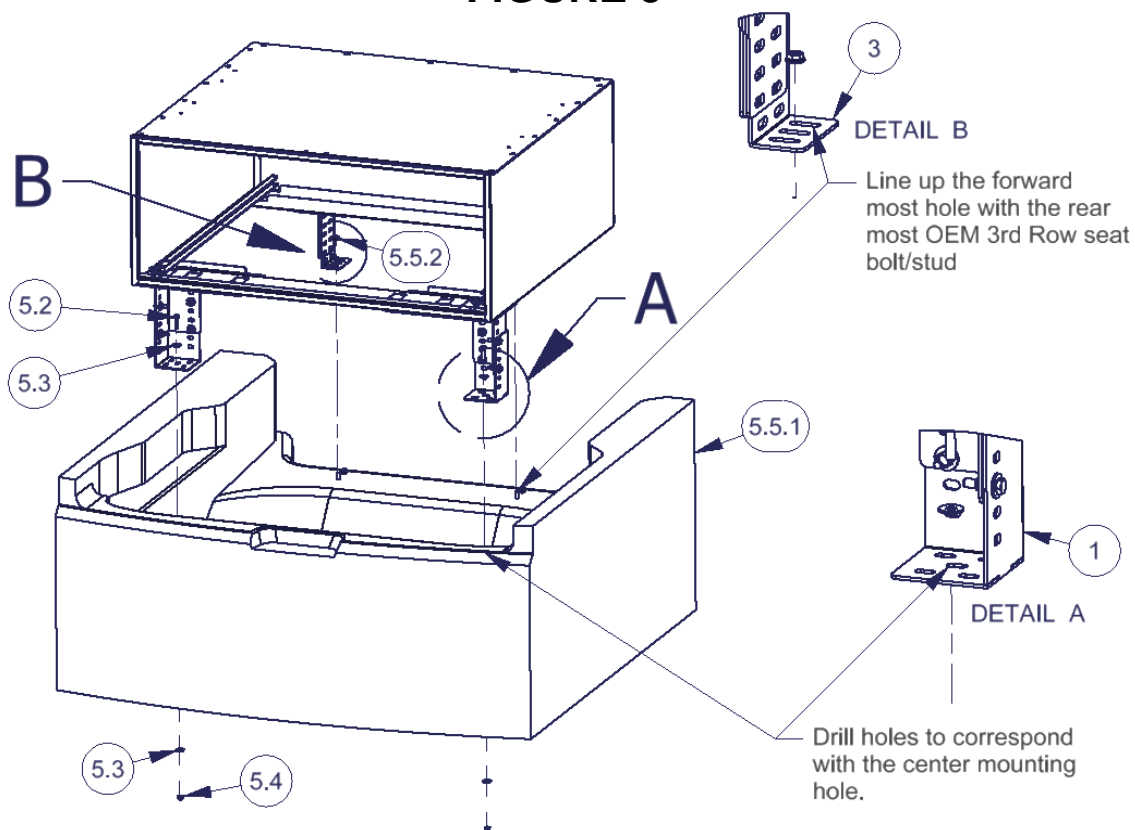


4. Place the enclosure with the mounting brackets in the rear of the vehicle. Be sure the correct holes in the #3 mounting brackets toward the front of the vehicle line up with the original bolts/studs in the vehicle floor. There must be a 2" gap front-to-back between the drawer front and the rear liftgate. Check that the liftgate shuts with enough clearance for the drawer handle. (See Figures 5)
5. Mark the spots under the illustrated holes in the #1 mounting brackets for drilling. (See Figure 5)

Warning! Be sure there is nothing on the underside of the vehicle floor which will be damaged when drilling. Most vehicles have a gas tank, gas lines, and/or exhaust mufflers in that area.

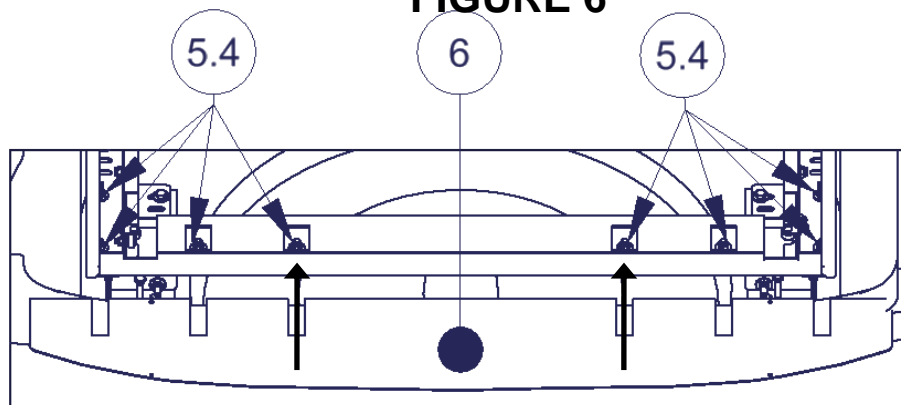
6. Remove the drawer enclosure and drill out the marked spots to 3/8". (See Figure 5)
7. Fasten the enclosure with the brackets mounted to the floor of the vehicle as illustrated using the OEM hardware (#5.5.2 flange nuts) to the existing 3rd row seat studs. Fasten the rear #1 mounting brackets to the vehicle floor with the provided #5.2 Bolts, 5.3 Washers & 5.4 Nuts through the drilled holes (See Figure 5)

FIGURE 5



8. Loosen the (8) #5.4 Nuts that hold the lower portion of the enclosure to the #4 Support plates and slip the #6 Rear Apron between them. (See Figure 6) NOTE: The two cargo hooks in the lower rear cargo area may need to be removed temporarily for rear apron installation. Do not retighten nuts until #7 Side Aprons are installed and adjusted.

FIGURE 6



9. Insert the #7 Side Aprons from inside the enclosure by placing the notched portion of the apron around the rearmost #5.1 mount bolt with the apron between the enclosure and #4 Support Plate, then rotating the apron into position under the edge of the enclosure. (See Figure 7)

FIGURE 7

DRIVER SIDE SHOWN/PASSENGER SIDE OPPOSITE

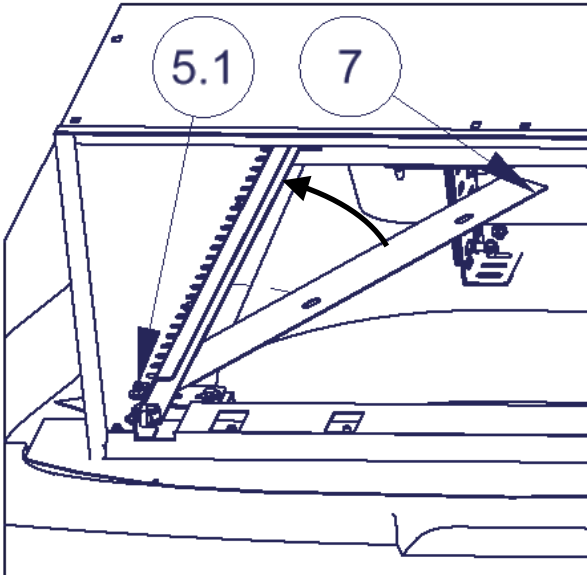
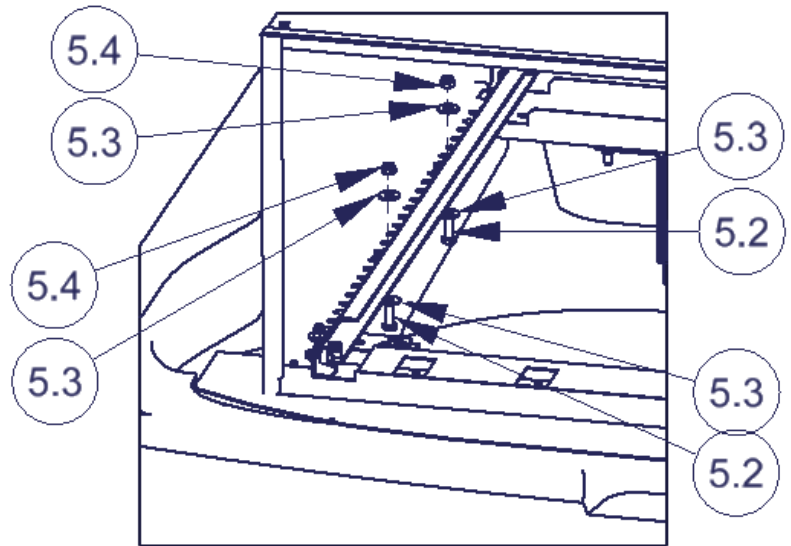


FIGURE 8

DRIVER SIDE SHOWN

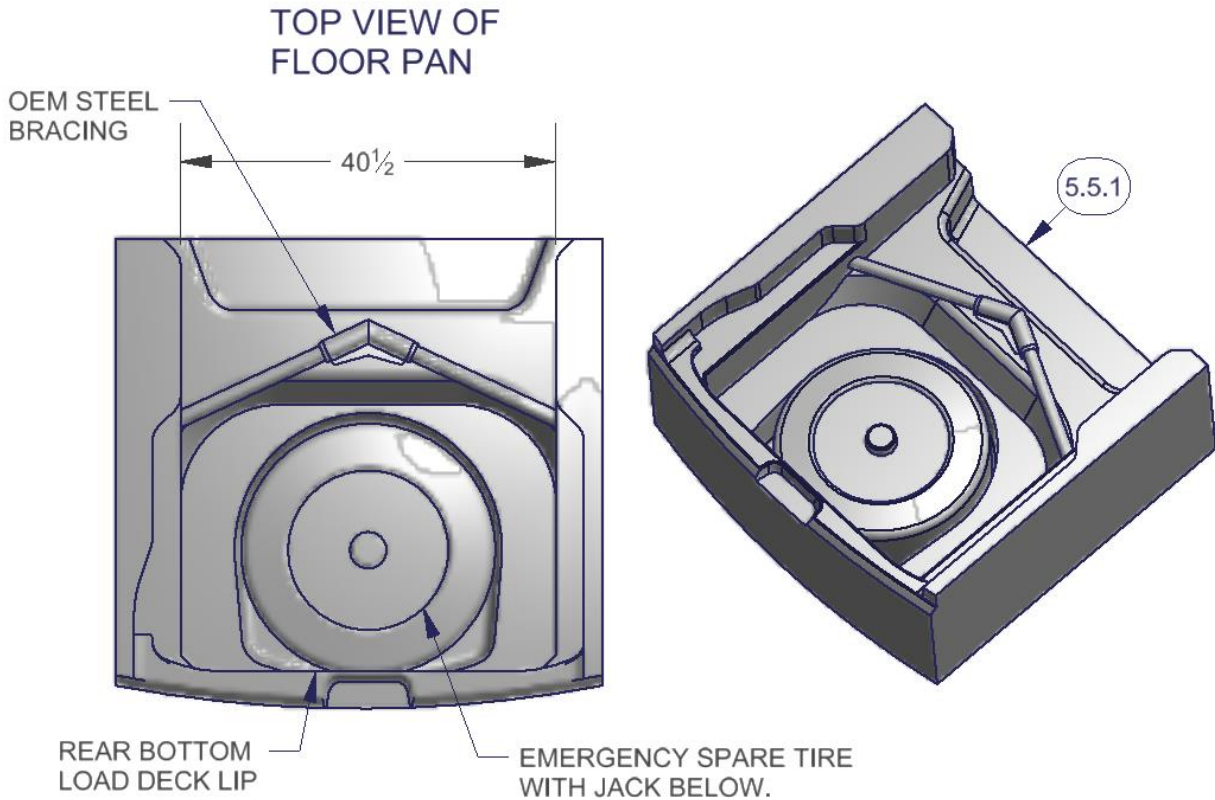


10. Adjust all three apron pieces to minimize the gaps around the enclosure, then using (4) #5.2 Bolts, (4) #5.4 Nuts, and (8) #5.3 Flat Washers attach the #7 Side Aprons to the enclosure. (See Figure 8) NOTE: The mounting holes in the enclosure and aprons allow for some variability, but in some situations new holes in the aprons may need to be marked and drilled to minimize gaps or prevent overlapping of the apron components.
11. Insert the drawer and test the operation. Make sure there is clearance between the drawer handle and the rear liftgate. Test to make sure that access to any important compartments in the floor or side panels are maintained. Check to make sure that the spare tire can be removed from under and out through the enclosure with the enclosure in place and the drawer removed.

Call (800) 348-8339 for Technical Support

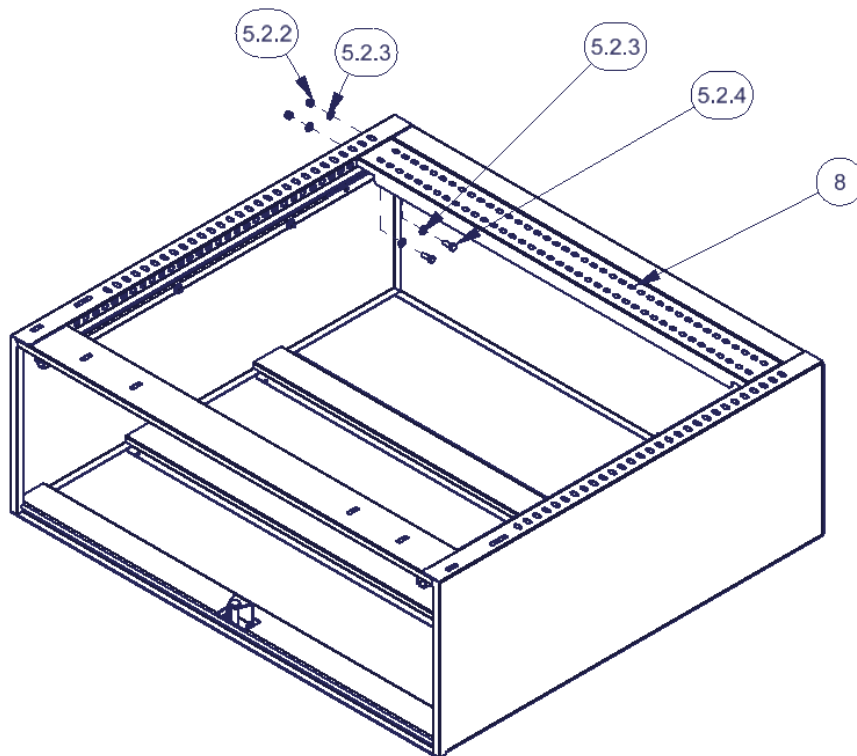
Ford Police Interceptor Installation

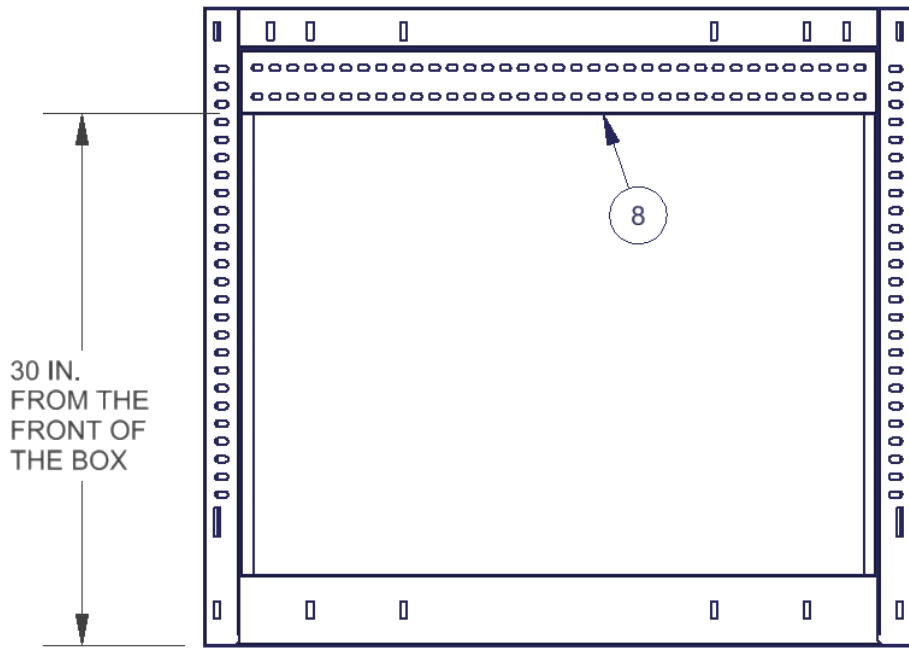
FIGURE 1



1. For a standard mounting application, as illustrated above, fasten only (1) #8 mounting bracket to the drawer enclosure with the illustrated hardware. These bolts are difficult to reach; Use a ½" shallow socket with a long extension and a ratchet (Universal joint also helps) and a ½" wrench on the other end. Unbolting the slide using a 7/16" wrench will make things easier as well. **These parts and fasteners are included with the drawer.** (See Figure 2)

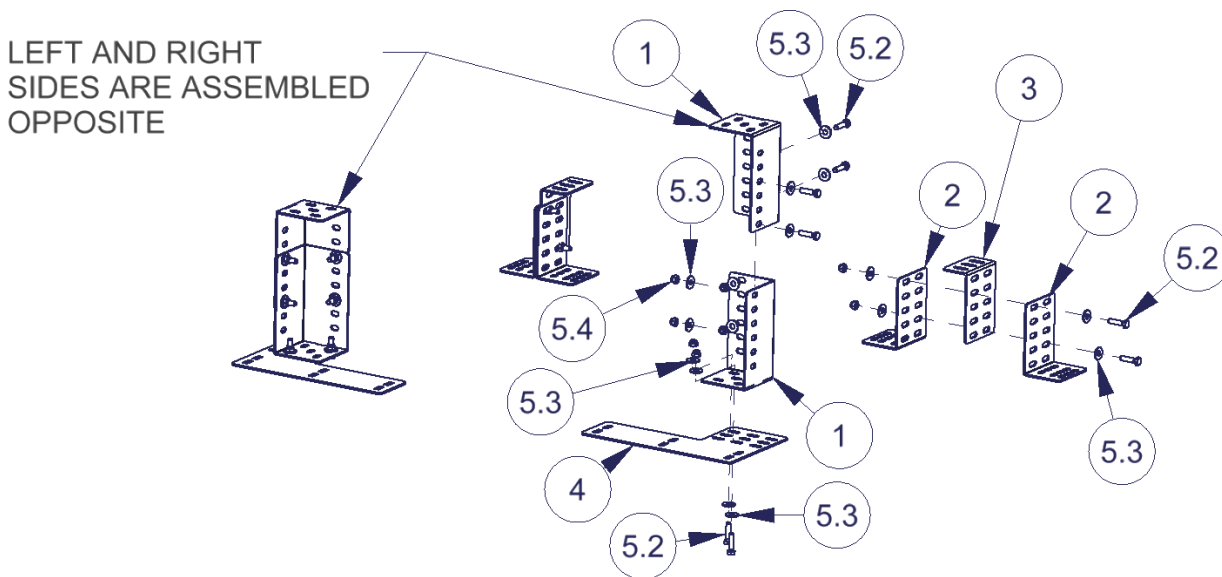
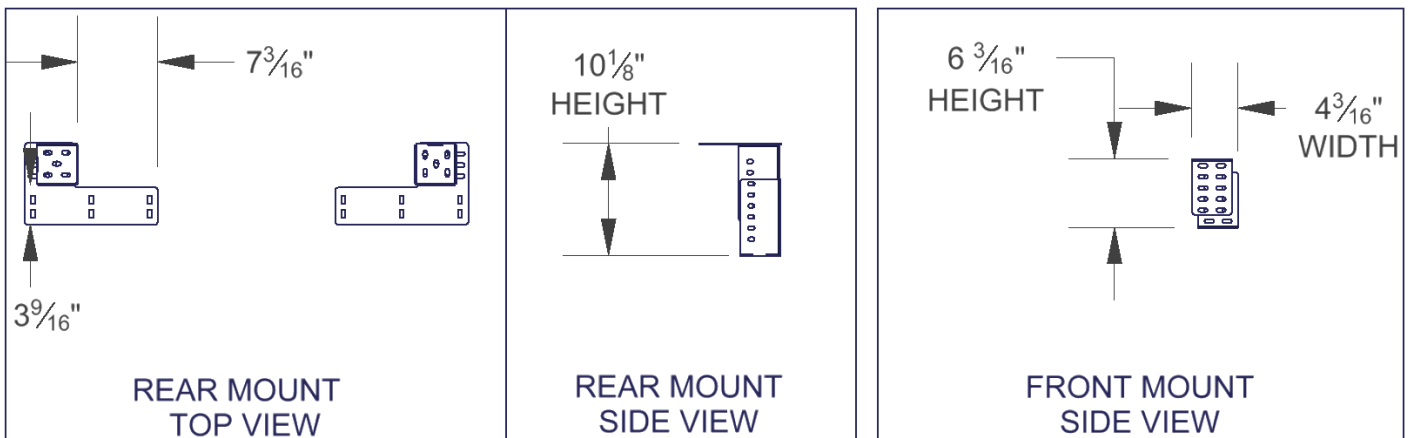
FIGURE 2





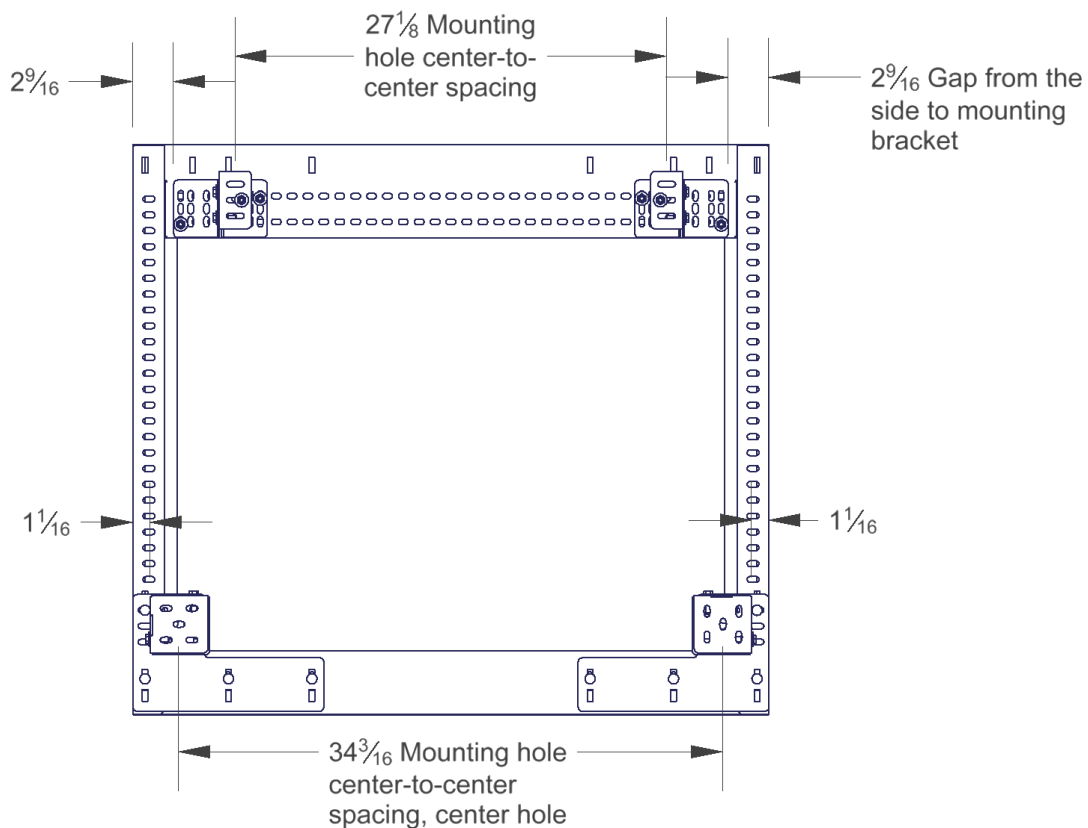
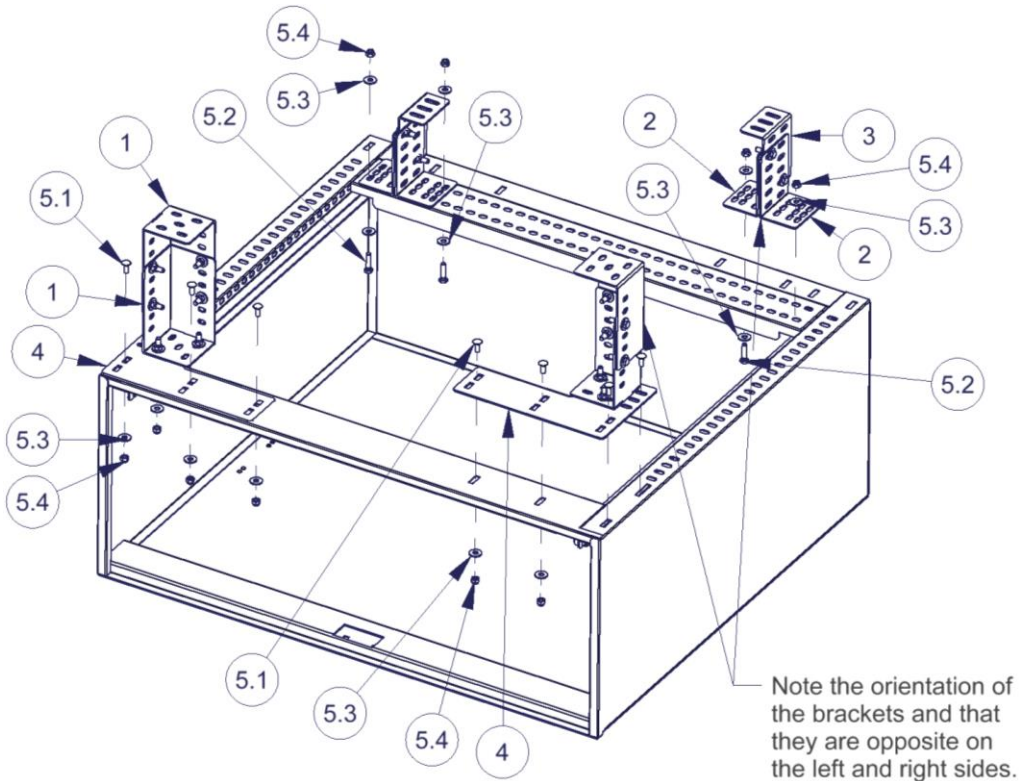
2. Assemble the mounting brackets as illustrated. Be sure left and right sides are assembled opposite. (See Figure 3)

FIGURE 3



3. Fasten the assembled brackets to the bottom of the drawer enclosure with the hardware illustrated. Be sure they are oriented and located as shown for a standard installation. ***Depending on available clearance, the assembled mounting brackets may have to be placed in the vehicle separate from the drawer and then assembled to the drawer enclosure in the vehicle. (See Figure 4)

FIGURE 4

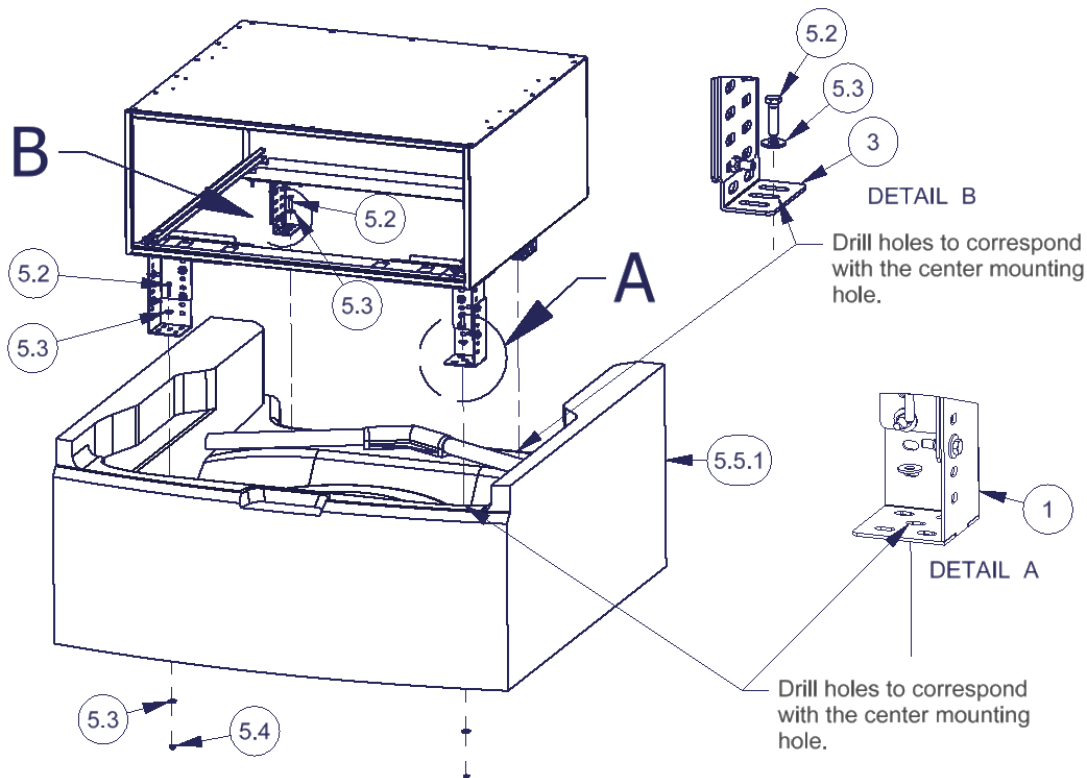


- Place the enclosure with the mounting brackets in the rear of the vehicle. There must be a 2" gap front-to-back between the drawer front and the rear liftgate. Check that the liftgate shuts with enough clearance for the drawer handle. (See Figure 5) **OPTIONAL:** At this point in the installation it may be useful to use the #6 Rear Apron to position the drawer for mounting.(See Step #8/Figure 6)
- Mark the spots under the illustrated holes in the #1 and the #3 mounting brackets for drilling. (See Figure 5)

Warning! Be sure there is nothing on the underside of the vehicle floor which will be damaged when drilling. Most vehicles have a gas tank, gas lines, and/or exhaust mufflers in that area.

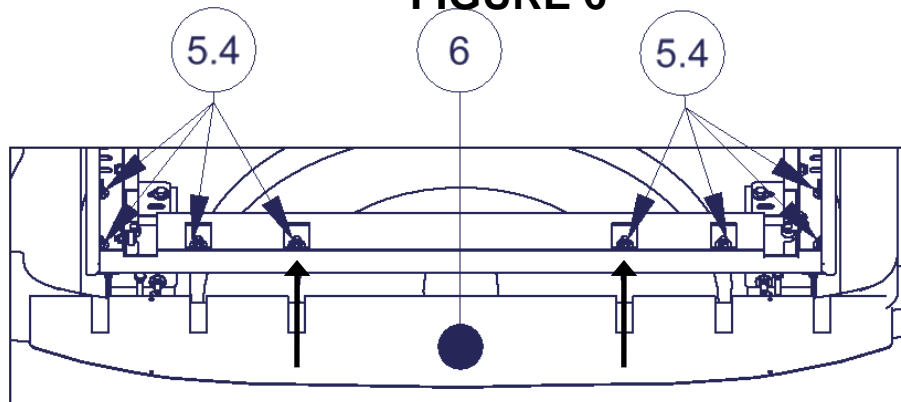
- Remove the drawer enclosure and drill out the marked spots to 3/8". (See Figure 5)
- Fasten the enclosure with the brackets mounted to the floor of the vehicle as illustrated using the provided #5.2 Bolts, 5.3 Washers & 5.4 Nuts through the drilled holes (See Figure 5)

FIGURE 5



- Loosen the (8) #5.4 Nuts that hold the lower portion of the enclosure to the #4 Support plates and slip the #6 Rear Apron between them.(See Figure 6) **NOTE:** The two cargo hooks in the lower rear cargo area may need to be removed temporarily for rear apron installation. Do not retighten nuts until #7 Side Aprons are installed and adjusted.

FIGURE 6



9. Insert the #7 Side Aprons from inside the enclosure by placing the notched portion of the apron around the rearmost #5.1 mount bolt with the apron between the enclosure and #4 Support Plate, then rotating the apron into position under the edge of the enclosure. (See Figure 7)

FIGURE 7

DRIVER SIDE SHOWN/PASSENGER SIDE OPPOSITE

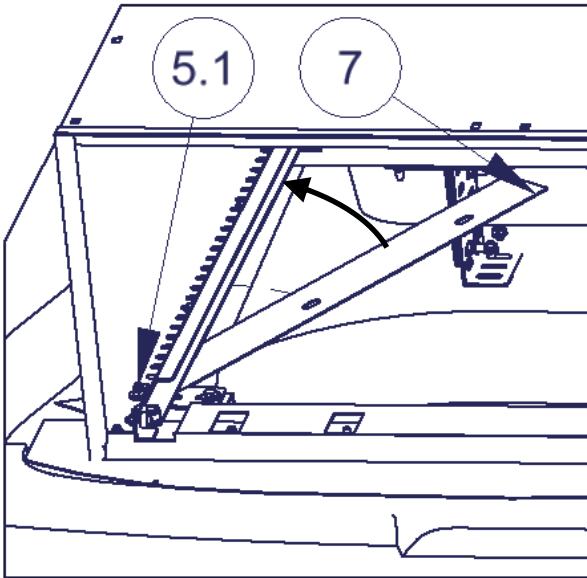
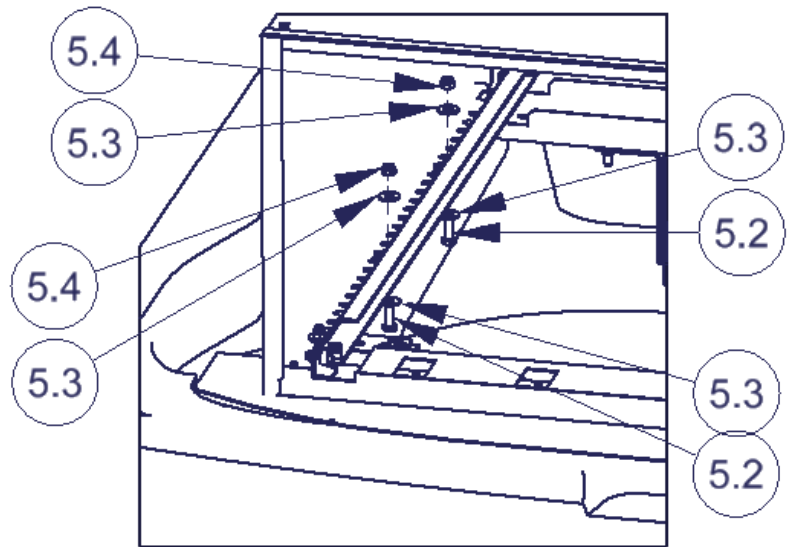


FIGURE 8

DRIVER SIDE SHOWN



10. Adjust all three apron pieces to minimize the gaps around the enclosure, then using (4) #5.2 Bolts, (4) #5.4 Nuts, and (8) #5.3 Flat Washers attach the #7 Side Aprons to the enclosure. (See Figure 8) NOTE: The mounting holes in the enclosure and aprons allow for some variability, but in some situations new holes in the aprons may need to be marked and drilled to minimize gaps or prevent overlapping of the apron components.
11. Insert the drawer and test the operation. Make sure there is clearance between the drawer handle and the rear liftgate. Test to make sure that access to any important compartments in the floor or side panels are maintained. Check to make sure that the spare tire can be removed from under and out through the enclosure with the enclosure in place and the drawer removed.

Call (800) 348-8339 for Technical Support